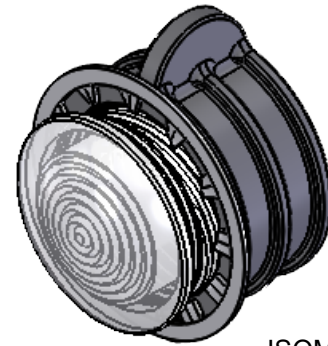


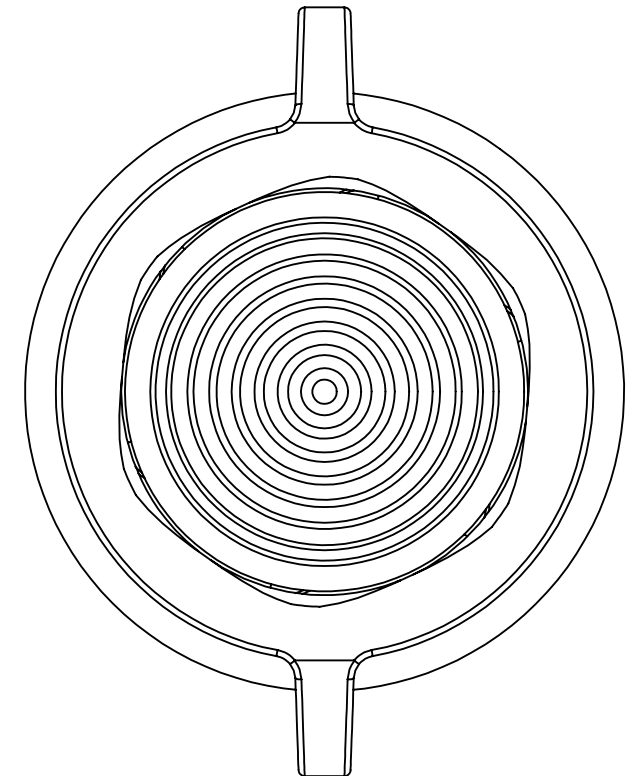
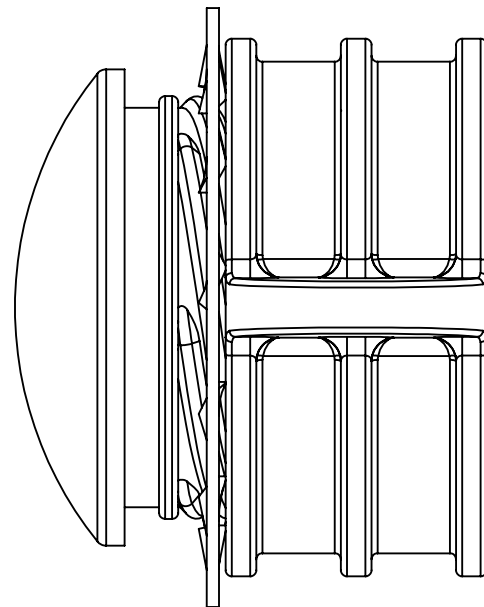
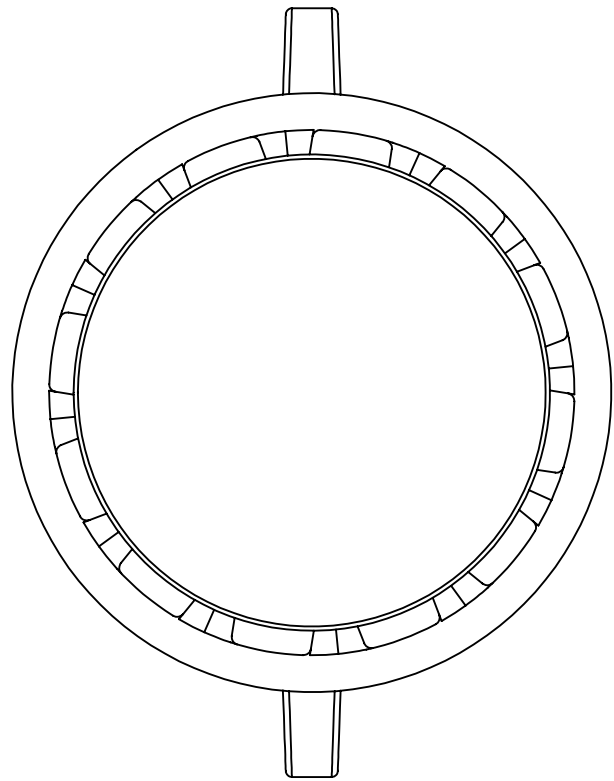
NOTES:

1. MOUNTING: MOUNTS IN A $\phi .562 \pm .002$ [$\phi 16.56\text{mm} \pm .05$] PANEL HOLE ON $.750$ [19.05mm] CENTERS. PANEL THICKNESS $.031$ [$.8\text{mm}$] TO $.187$ [4.75mm]. PANEL HOLE SHOULD BE DEBURRED, BUT NOT CHAMFERED.
2. ASSEMBLY: INSERT LENS THROUGH PANEL HOLE, SLIDE LOCK WASHER ONTO LENS BARREL AND TWIST ON RETAINING RING. PCB MOUNTED LED'S SLIDE INTO LENS WHEN THE PANEL COVER IS CLOSED OR THE PCB CARD IS INSERTED INTO THE CASE.
3. MATERIAL: LENS-POLYCARBONATE, UL 94-V2
LOCK WASHER- FH STEEL, NICKEL PLATE
RETAINING RING - THERMOPLASTIC, U.L. 94 V0 RATED
4. PARTS PACKAGED SEPERATELY
5. U.S. & FOREIGN PAT. ISSUED & PEND.



ISOMETRIC VIEW ONLY FOR REF.

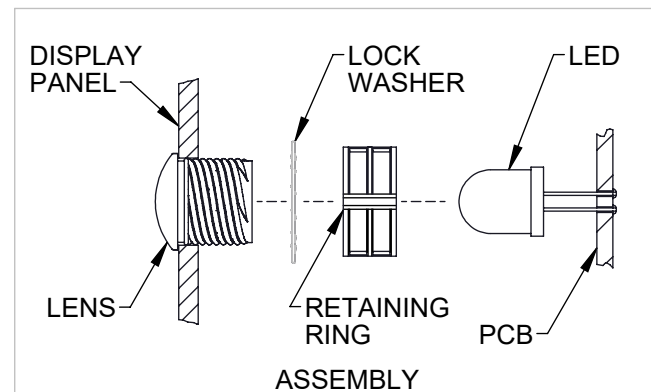
REVISIONS				
ECN#	REV.	DESCRIPTION	DATE	INITIALS
	001	REVISED PER ECR111009AZ01	7/7/10	KH
2148	002	RETAINING RING PART NUMBER UPDATED	TBD	AS



ORDERING CODE : **HMC 461 XXX**

MODEL

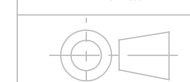
LENS COLOR	
RTP	RED TRANSPARENT
ATP	AMBER TRANSPARENT
GTP	GREEN TRANSPARENT
BTP	BLUE TRANSPARENT
YTP	YELLOW TRANSPARENT
CTP	CLEAR TRANSPARENT



UNLESS OTHERWISE SPECIFIED DIMENSIONS ARE IN INCHES:

ANGLES DECIMALS
 $\pm 1'$.X $\pm .020$
 .XX $\pm .010$
 .XXX $\pm .005$

BREAK ALL CORNERS AND SHARP EDGES: .008 MAX



THIRD ANGLE PROJECTION
 PROPRIETARY AND CONFIDENTIAL
 THE INFORMATION CONTAINED IN THIS DRAWING IS THE SOLE PROPERTY OF VISUAL COMMUNICATIONS COMPANY, INC. ANY REPRODUCTION IN PART OR AS A WHOLE WITHOUT THE WRITTEN PERMISSION OF VISUAL COMMUNICATIONS COMPANY, INC IS PROHIBITED.

MATERIAL
SEE NOTES

FINISH
SEE NOTES

APPROVAL DATE

DRAWN: K.Howard 7/7/10

CHECKED: DPZ 7/7/10

DO NOT SCALE DRAWING

VISUAL COMMUNICATIONS COMPANY, INC.
 190 Bosstick Boulevard, Suite 101 San Marcos, CA 92069 USA
 Phone (760) 560-1300 Fax (760) 560-1301 email vccsales@vcclite.com

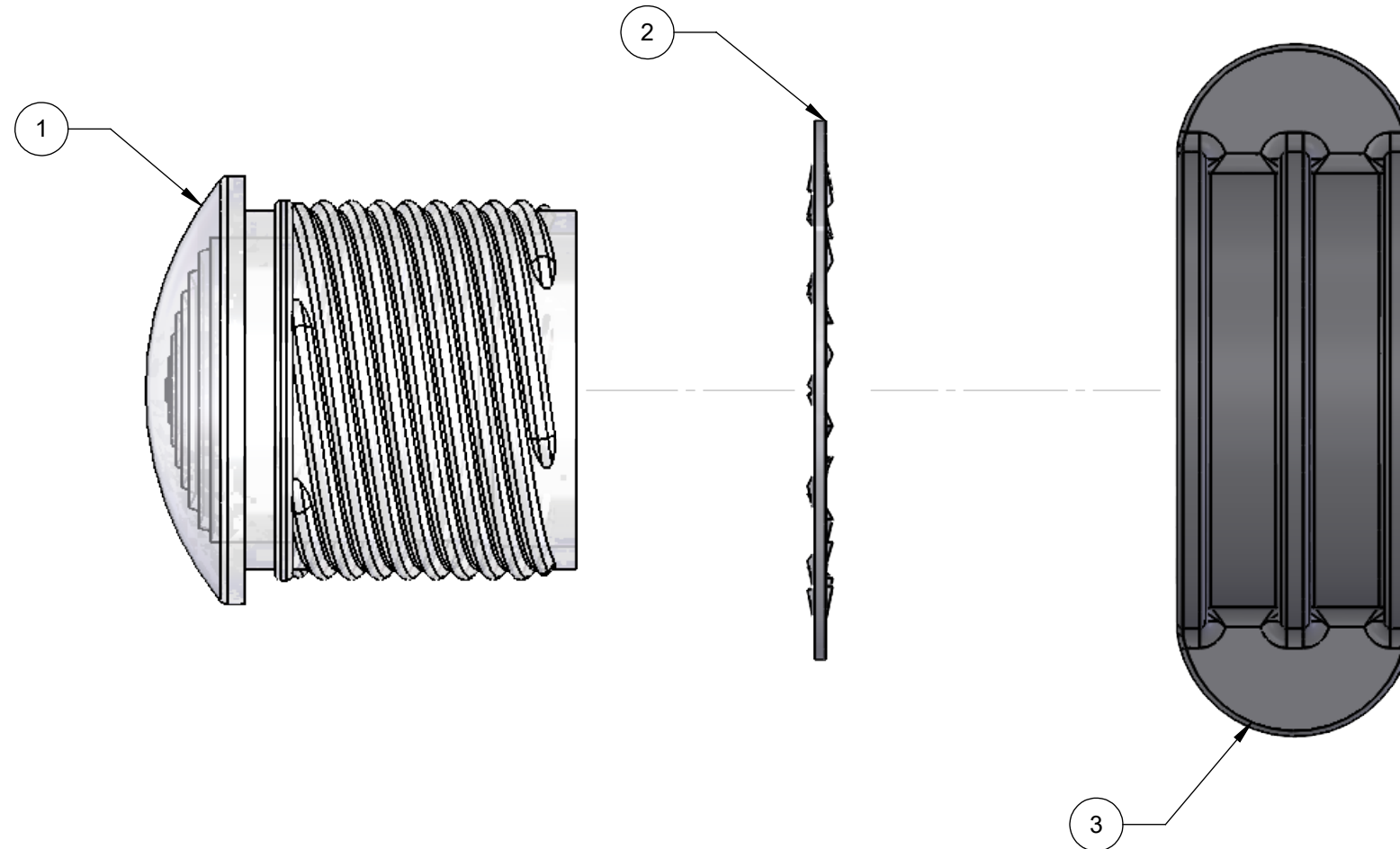
TITLE:
CLIPLITE HMC 461 ASSEMBLY

SIZE B	DWG. NO. HMC 461 XXX_E	REV 002
------------------	----------------------------------	-------------------

SCALE: 4:1 SHEET 1 OF 4

ITEM NO.	PART NUMBER	DESCRIPTION	QTY.
1	461 XXX	10MM STANDARD THREADED FRESNEL LENS	1
2	HLW 461	10mm LOCKWASHER	1
3	RTN_714	NUT, RETAINING 14MM	1

REVISIONS				
ECN #	REV	DESCRIPTION	DATE	INITIALS
		SEE SHEET 1		



UNLESS OTHERWISE SPECIFIED
DIMENSIONS ARE IN INCHES:

ANGLES	DECIMALS
±1'	.X ±.020
	.XX ±.010
FINISH	.XXX ±.005

BREAK ALL CORNERS AND SHARP
EDGES: 100 MAX



THIRD ANGLE PROJECTION

PROPRIETARY AND CONFIDENTIAL
THE INFORMATION CONTAINED IN THIS
DRAWING IS THE SOLE PROPERTY OF
VISUAL COMMUNICATIONS COMPANY, INC. ANY
REPRODUCTION IN PART OR AS A WHOLE
WITHOUT THE WRITTEN PERMISSION OF
VISUAL COMMUNICATIONS COMPANY, INC IS
PROHIBITED.

MATERIAL
SEE NOTES

FINISH
SEE NOTES

APPROVAL	DATE
DRAWN K.Howard	7/7/10
CHECKED DPZ	7/7/10

DO NOT SCALE DRAWING

VISUAL COMMUNICATIONS COMPANY, INC.
190 Bosstick Boulevard, Suite 101 San Marcos, CA 92069 USA
Phone (760) 560-1300 Fax (760) 560-1301 email vccsales@vcclite.com

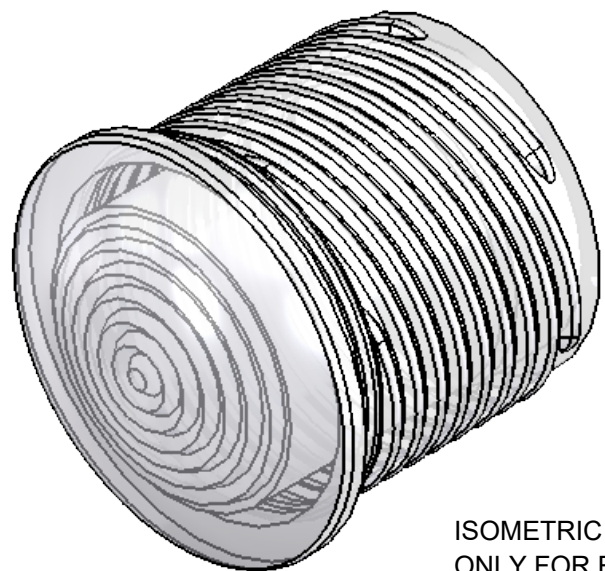
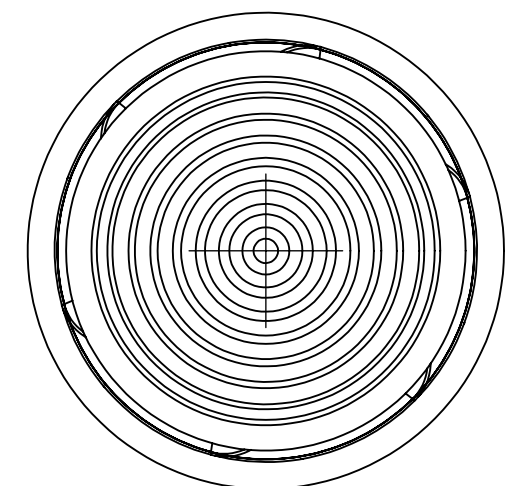
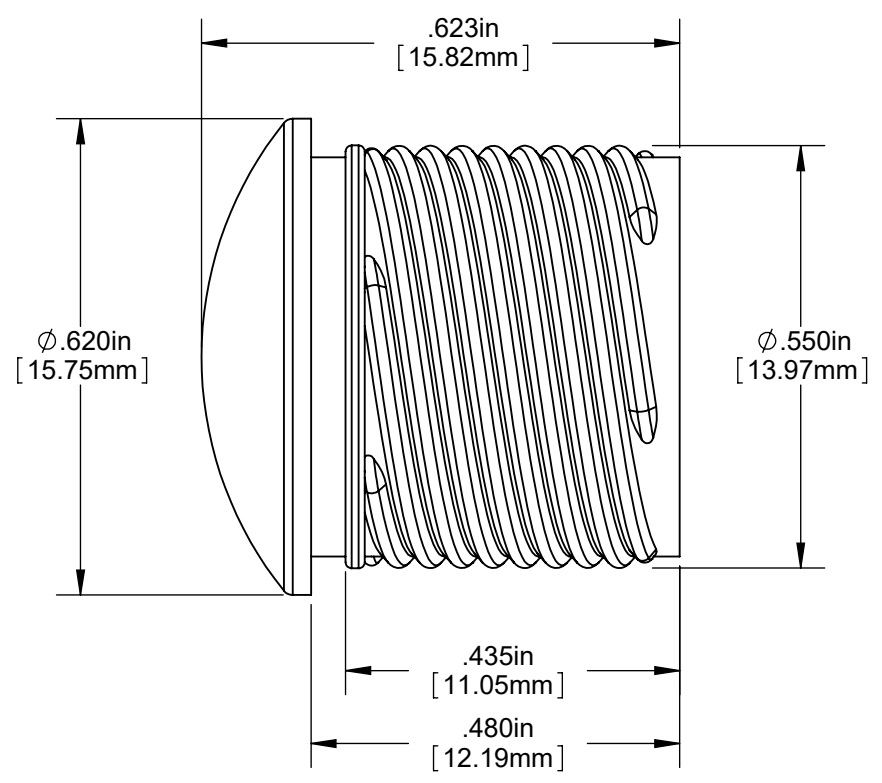
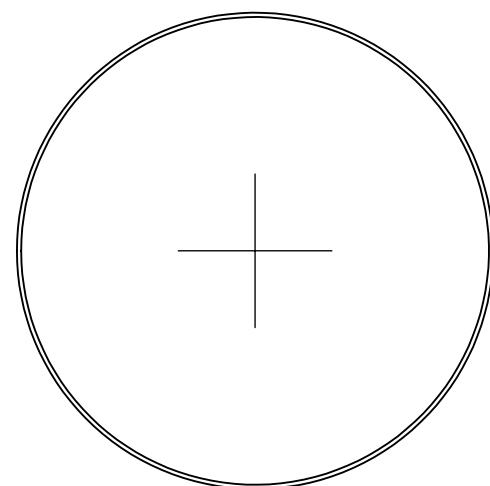
TITLE:
**CLIPLITE HMC 461
ASSEMBLY**

SIZE	DWG. NO.	REV
B	HMC 461 XXX_E	002

SCALE: 4:1 SHEET 2 OF 4

NOTES:
USE FOR REFERENCE ONLY

ECN #		REV	REVISIONS	DATE	INITIALS
			DESCRIPTION		
			SEE NOTES		



ISOMETRIC VIEW
 ONLY FOR REF.

UNLESS OTHERWISE SPECIFIED
 DIMENSIONS ARE IN INCHES:
 ANGLES ±1'
 DECIMALS .X ±.020
 .XX ±.010
 .XXX ±.005
 FINISH
 BREAK ALL CORNERS AND SHARP
 EDGES .030 MAX
 THIRD ANGLE PROJECTION
 PROPRIETARY AND CONFIDENTIAL
 THE INFORMATION CONTAINED IN THIS
 DRAWING IS THE SOLE PROPERTY OF
 VISUAL COMMUNICATIONS COMPANY, INC. ANY
 REPRODUCTION IN PART OR AS A WHOLE
 WITHOUT THE WRITTEN PERMISSION OF
 VISUAL COMMUNICATIONS COMPANY, INC IS
 PROHIBITED.

MATERIAL		SEE NOTES
FINISH		SEE NOTES
APPROVAL	DATE	
DRAWN K.Howard	7/7/10	
CHECKED DPZ	7/7/10	
DO NOT SCALE DRAWING		

VISUAL COMMUNICATIONS COMPANY, INC. 190 Bosstick Boulevard, Suite 101 San Marcos, CA 92069 USA Phone (760) 560-1300 Fax (760) 560-1301 email vccsales@vccite.com		
TITLE: 10MM ROUND STANDARD THREADED FRESNEL LENS		
SIZE	DWG. NO.	REV
B	HMC 461 XXX_E	002
SCALE: 4:1		SHEET 3 OF 4