

# HMIBMU0I29DI00A

## Modular box PC, Harmony iPC, HMIBM Universal DC Base unit 8 GB 4 slots



### Main

Range of Product	Harmony iPC
Product or Component Type	Modular box PC
Device short name	Modular BOX PC Universal
Chipset type	Intel QM87
Free slots	2 Internal SATA HDD/SSD with slide-in HMIYMADSDD1 to mount hot swap RAID with Intel Rapid Storage Technology 1 CFAST 1 mSATA
Video controller type	Intel HD Graphics
Software package	Node-RED and system nodes restore IloT Wiring Operating System Restore McAfee white listing installer cyber security license not included EcoStruxure secure connect advisor annual subscription cyber security license not included EcoStruxure Operator Terminal Expert run time HMI license not included EcoStruxure machine SCADA expert run time HMI/SCADA on configured offer only EcoStruxure augmented operator advisor server augmented operator license not included

### Complementary

Range Compatibility	Modular Display HMIDM IDisplay
Accessory / separate part destination	PC panel HMIDM modular display
Mounting Location	Flat mounting Book mounting Wall mounting
Processor name	Intel Celeron 2980U
Memory description	8 GB RAM DDR3 internal not expandable) 512 kB MRAM internal
Number of slots	2 PCI 2 mini PCI Express full-size
Display resolution	3200 x 2000 pixels at 60 Hz
Watchdog timer	1...255 ms
Type of cooling	Fanless Fan required to mount PCI/PCIe cards above 3 W
Electrical connection	Screw connector pin, 1 way ground bottom Connector SMA, 3 ways top
Integrated connection type	Display port 1 bottom Display port 1 front Ethernet 2 RJ45 I210 10/100/1000 Mbps bottom IEEE 1588 supported COM1 serial link battery backup 1 male SUB-D 9 RS232/422/485 bottom USB 2.0 port 2 USB type A 480 Mbit/s bottom USB 3.0 port 2 USB type A 5 Gbit/s bottom TPM connector Ver 1.2 cyber security - hardware encryption TPM module HMIYMINATPM201 to be installed/default installed motherboard
[Us] rated supply voltage	24 V DC power supply 100...240 V AC power supply
Supply voltage limits	18...36 V
Inrush current	8.9 A

The information provided in this documentation contains general descriptions and/or technical characteristics of the performance of the products contained herein. This documentation is not intended as a substitute for and is not to be used for determining suitability or reliability of these products for specific user applications. It is the duty of any such user or integrator to perform the appropriate and complete risk analysis, evaluation and testing of the products with respect to the relevant specific application or use thereof. Neither Schneider Electric Industries SAS nor any of its affiliates or subsidiaries shall be responsible or liable for misuse of the information contained herein.

Power consumption in W	35.0 W box) 39.0 W with 4:3 12" display HMIDM6421) 37.0 W with Wide 12" display HMIDM6521) 40 W with 4:3 15" display HMIDM7421) 41 W with Wide 15" display HMIDM7521) 43 W with Wide 19" display HMIDM9521) 45 W with Wide 22" display HMIDMA521)
Control type	ON/OFF button
Depth	4.06 in (103.2 mm)
Height	8.15 in (207 mm)
Width	10.00 in (254 mm)
Net Weight	8.60 lb(US) (3.9 kg)
Impregnation material	Conformal coated
Number of slots available for expansion	2 mini PCIe 2 PCI

## Environment

Standards	Class A group 1 EN 55011 EN 61000-6-4 EN 61131-2 FCC part 15 UL 61010
Product certifications	CE CULus CULus CSA 22-2 No 142 CULus HazLoc Class I Division 2 ANSI/ISA 12-12-01 CULus HazLoc Class I Division 2 CSA 22-2 No 213 ATEX CCC RCM EAC IEC Ex hazardous locations 3GD zone 2/22
Quality labels	CE
Directives	2006/95/EC - low voltage directive 2004/108/EC - electromagnetic compatibility
IP degree of protection	IP40 conforming to IEC 60529
Electromagnetic compatibility	Immunity to high frequency interference IEC 61000-4 Disturbing field emissionclass A EN 55011 Conducted and radiated emissionsclass A EN 55022
Ambient air temperature for storage	-22...158 °F (-30...70 °C) IEC 60068-2-2 -22...158 °F (-30...70 °C) IEC 60068-2-14
Relative Humidity	10...95 % non-condensing EN/IEC 60068-2-30
Ambient air temperature for operation	32...131 °F (0...55 °C) by default) EN/IEC 60068-2-2 32...122 °F (0...50 °C) flat mounting 32...113 °F (0...45 °C)PCI/PCIe HMIDM modular display with HDD 32...104 °F (0...40 °C) flat mountingHDD 32...104 °F (0...40 °C) flat mountingmini PCIe 32...104 °F (0...40 °C) flat mountingPCI/PCIe 32...113 °F (0...45 °C) 2mini PCIe HMIDM modular display
Operating altitude	6561.68 ft (2000 m) IEC 60664-1
Vibration resistance	2 gn 5...500 Hz) SSD or CFast 1 gn 5...500 Hz) HDD

## Ordering and shipping details

Category	22575-MAGELIS MC3
Discount Schedule	MC3
GTIN	3606480853531
Nbr. of units in pkg.	1
Package weight(Lbs)	8.60 lb(US) (3.9 kg)
Returnability	No
Country of origin	US

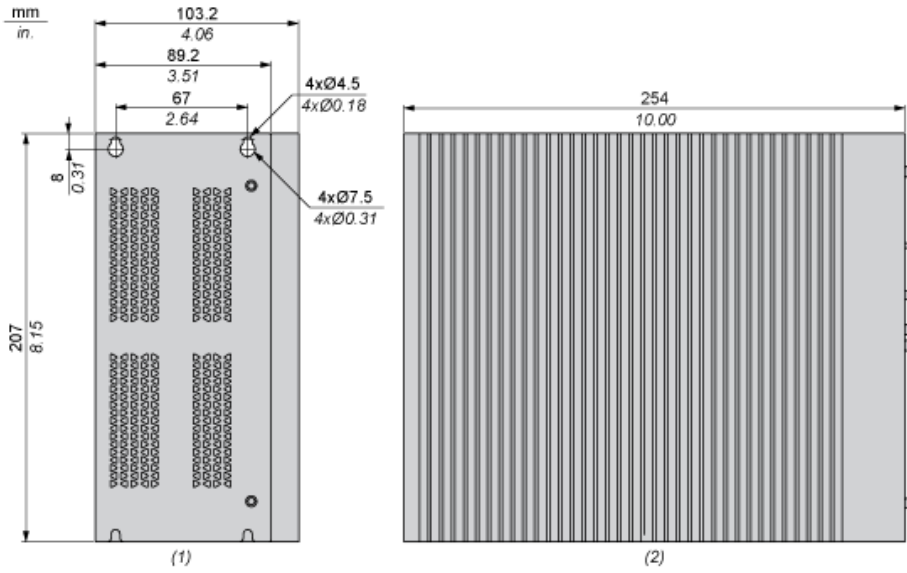
## Packing Units

Unit Type of Package 1	PCE
Package 1 Height	18.82 in (47.8 cm)
Package 1 width	10.24 in (26 cm)
Package 1 Length	17.36 in (44.1 cm)
Unit Type of Package 2	CAR
Number of Units in Package 2	1
Package 2 Weight	13.01 lb(US) (5.9 kg)
Package 2 Height	17.72 in (45 cm)
Package 2 width	9.65 in (24.5 cm)
Package 2 Length	16.93 in (43 cm)

## Offer Sustainability

California proposition 65	WARNING: This product can expose you to chemicals including: Lead and lead compounds, which is known to the State of California to cause cancer and birth defects or other reproductive harm. For more information go to <a href="http://www.P65Warnings.ca.gov">www.P65Warnings.ca.gov</a>
REACH Regulation	<a href="#">REACH Declaration</a>
REACH free of SVHC	Yes
EU RoHS Directive	Pro-active compliance (Product out of EU RoHS legal scope) <a href="#">EU RoHS Declaration</a>
Mercury free	Yes
RoHS exemption information	<a href="#">Yes</a>
China RoHS Regulation	<a href="#">China RoHS Declaration</a>
WEEE	The product must be disposed on European Union markets following specific waste collection and never end up in rubbish bins.

Dimensions



- (1) Rear view
- (2) Left view