



### Main

Range of Product	Magelis iPC
Product or Component Type	PC BOX
Device short name	S-BOX PC Universal
Processor name	Atom N2600 dual core 1.6 GHz
Free slots	1 Internal SATA HDD/SSD 1 CFast
Software package	Vijeo XD run time demo Vijeo Designer run time demo IIoT monitor with Node-RED McAfee white listing license required

### Complementary

Range Compatibility	IDisplay
Data storage equipment	16 GB CFast card
Memory description	Internal RAM DDR3, 4 GB
Number of slots	1 mini PCI Express full-size
Display Resolution	1920 x 1200 pixels
Watchdog timer	1...255 ms
Type of cooling	Fanless
Integrated connection type	2 COM1 serial link - male SUB-D 9 - RS232 1 VGA 3 Ethernet 10/100/1000 Mbps) 5 USB 2.0 port 4 COM1 serial link - male SUB-D 9 - RS232/422/485 1 audio output 1 HDMI
[Us] rated supply voltage	24 V DC power supply)
Supply voltage limits	12...24 V
Line Rated Current	1.5 A
Power consumption in W	16 W
Input/output number	8 digital configurable by software
Depth	5.24 in (133 mm)
Height	2.69 in (68.4 mm)
Width	10.41 in (264.5 mm)
Net Weight	5.51 lb(US) (2.5 kg)
Main type	Universal

### Environment

Product certifications	CCC GOST CULus
Standards	CSA 22-2 No 60950-1-07 EN 55011: class A group 1 EN 61000-6-4 EN 61131-2:ed. 3 FCC part 15 UL 60950-1
Quality labels	CE
Directives	2006/95/EC - low voltage directive 2004/108/EC - electromagnetic compatibility
IP degree of protection	IP40 conforming to IEC 60529

Electromagnetic compatibility	Immunity to high frequency interference IEC 61000-4 Disturbing field emissionclass A EN 55011 Conducted and radiated emissionsclass A EN 55022
Ambient air temperature for storage	-40...185 °F (-40...85 °C) IEC 60068-2-2 -40...185 °F (-40...85 °C) IEC 60068-2-14
Relative Humidity	10...85 % EN/IEC 60068-2-30
Ambient air temperature for operation	32...122 °F (0...50 °C) EN/IEC 60068-2-2
Operating altitude	2000 IEC 60664-1
Vibration resistance	1.75 mm 2...9 Hz) IEC 60068-2-6 0.5 gn 9...200 Hz) IEC 60068-2-6
Shock resistance	50 gn 11 ms IEC 60068-2-27

## Ordering and shipping details

Category	22000 - Temporary Category for ITS Price Promotion
Discount Schedule	I
GTIN	3606480684364
Nbr. of units in pkg.	1
Package weight(Lbs)	5.51 lb(US) (2.5 kg)
Returnability	No
Country of origin	CN

## Packing Units

Unit Type of Package 1	PCE
Package 1 Height	5.24 in (133 mm)
Package 1 width	2.69 in (68.4 mm)
Package 1 Length	10.41 in (264.5 mm)

## Offer Sustainability

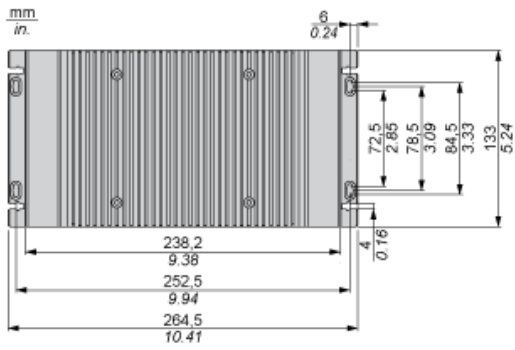
California proposition 65	WARNING: This product can expose you to chemicals including: Lead and lead compounds, which is known to the State of California to cause cancer and birth defects or other reproductive harm. For more information go to <a href="http://www.p65warnings.ca.gov">www.p65warnings.ca.gov</a>
EU RoHS Directive	Pro-active compliance (Product out of EU RoHS legal scope) <a href="#">EU RoHS Declaration</a>
Toxic heavy metal free	Yes
Mercury free	Yes
RoHS exemption information	<a href="#">Yes</a>
China RoHS Regulation	<a href="#">China RoHS Declaration</a>

## Contractual warranty

Warranty	18 months
----------	-----------

Dimensions

Top View



Side View

