



Main

Range of Product	Harmony iPC
Product or Component Type	Flat screen
Terminal type	Touchscreen display
Device mounting	Flush
Product Compatibility	Modular Box PC

Complementary

View angle horizontal x vertical	140 x 115°
Contrast Ratio	500:1
Touchscreen resolution	2048 x 2048
Display resolution	1280 x 800 pixels WXGA
Display size	12.1 inch
Aspect ratio	16:9
Display type	Colour TFT LCD LED
Display colour	16777216 colors
Luminance	27.87 fc (300 cd/m ²)
Backlight lifespan	50000 hours 77 °F (25 °C)
Touch panel	Multi-touch projected capacitive technology (PCT)
Function Available	Operate with water on screen
[Us] rated supply voltage	24 V DC power supply 100...240 V AC power supply
Supply voltage limits	18...36 V
Inrush current	8.9 A
Power consumption in W	58.65 W Box PC HMIBMP) 53.65 W Box PC HMIBMU)
Local signalling	Status LED
Depth	Enclosure 1.10 in (28 mm) 0.28 in (7 mm)
Height	12.17 in (309 mm)
Width	19.22 in (488.3 mm)
Net Weight	4.96 lb(US) (2.25 kg)

Environment

Standards	Class I division 2 CSA C22.2 No 213 CSA C22.2 No 142 UL 6110-2-201 Class I division 2 ANSI/ISA 12-12-01
Product certifications	IEC-Ex EAC CE C-tick
IP degree of protection	IP66
NEMA degree of protection	NEMA 4X
Pollution degree	2
Ambient air temperature for storage	-22...158 °F (-30...70 °C)
Relative Humidity	10...95 % non-condensing
Ambient air temperature for operation	32...131 °F (0...55 °C)
Operating altitude	6561.68 ft (2000 m)
Vibration resistance	1 gn 5...500 Hz) HDD 2 gn 5...500 Hz) SSD 2 gn 5...500 Hz) Cfast card

Ordering and shipping details

Category	22574-MAGELIS BOX PC AND PANEL PC
Discount Schedule	MC2
GTIN	3606481245540
Returnability	No
Country of origin	US

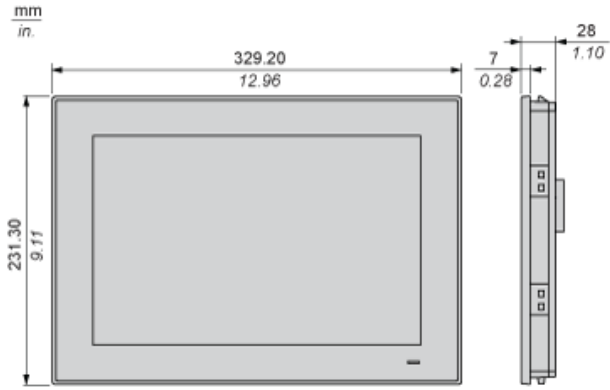
Packing Units

Unit Type of Package 1	PCE
Number of Units in Package 1	1
Package 1 Height	18.50 in (47 cm)
Package 1 Width	10.04 in (25.5 cm)
Package 1 Length	17.72 in (45 cm)
Package 1 Weight	9.11 lb(US) (4.13 kg)

Offer Sustainability

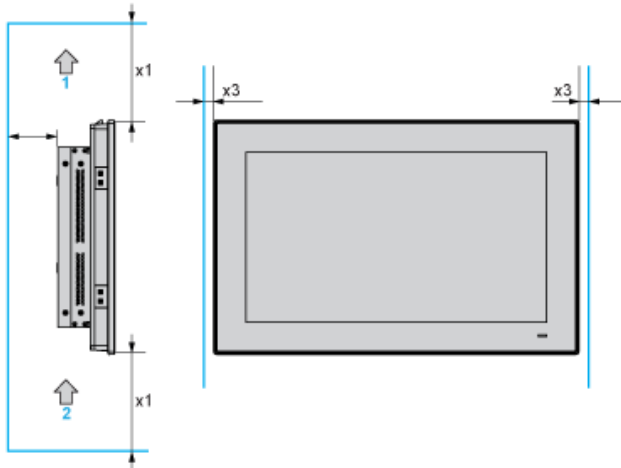
California proposition 65	WARNING: This product can expose you to chemicals including: Lead and lead compounds, which is known to the State of California to cause cancer and birth defects or other reproductive harm. For more information go to www.P65Warnings.ca.gov
REACH Regulation	REACH Declaration
REACH free of SVHC	Yes
EU RoHS Directive	Pro-active compliance (Product out of EU RoHS legal scope) EU RoHS Declaration
Mercury free	Yes
China RoHS Regulation	China RoHS Declaration
RoHS exemption information	Yes

Display Dimensions



Spacing requirements - Mounted with Display adaptor HMIDAD

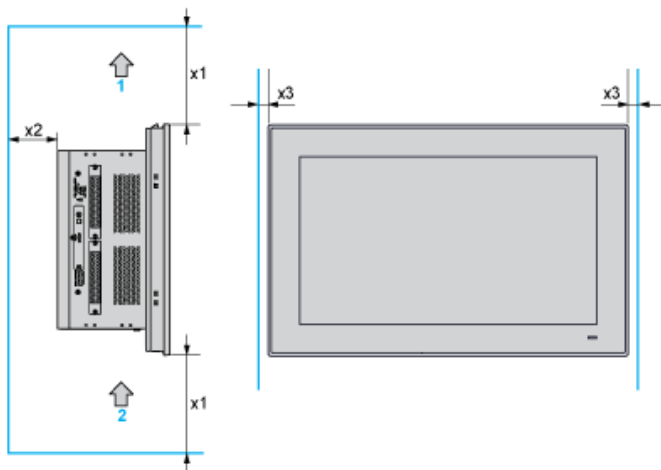
In order to provide sufficient air circulation, mount the Display Adapter so that the spacing above, below and on the sides of the unit is as follows:



- 1 : Air out
- 2 : Air in
- $x1 > 100 \text{ mm (3.93 in)}$
- $x2 > 50 \text{ mm (1.96 in)}$
- $x3 > 15 \text{ mm (0.59 in)}$

Spacing Requirements - Mounted with Modular Box PC HMIBM

In order to provide sufficient air circulation, mount the display so that the spacing above, below and on the sides of the unit is as follows:



- 1 : Air out
- 2 : Air in
- $x1 > 100 \text{ mm (3.93 in)}$
- $x2 > 50 \text{ mm (1.96 in)}$
- $x3 > 15 \text{ mm (0.59 in)}$

Mounting Orientation