



### Main

Range of Product	Harmony Modular iPC
Product or Component Type	Flat screen
Terminal type	Touchscreen display

### Complementary

Device mounting	Flush
Local signalling	Status LED
View angle horizontal x vertical	150 x 150°
Contrast Ratio	500:1
Pixel resolution	1024 x 1024
Touchscreen resolution	4096 x 4096
Function Available	Operate with water on screen
[Us] rated supply voltage	24 V DC power supply 100...240 V AC power supply 47...63 Hz
Supply voltage limits	18...36 V DC
Power Consumption in W	50.7 W typical)Box PC HMIBMP 64.85 W maximum)Box PC HMIBMP 45.2 W typical)Box PC HMIBMU 59.85 W maximum)Box PC HMIBMU
Display size	21.5 inch
Aspect ratio	4:3
Display type	LED Colour TFT LCD
Display Resolution	1920 x 1080 pixels full HD
Display colour	16777216 colors
Luminance	27.87 fc (300 cd/m <sup>2</sup> )
Backlight lifespan	50000 hours 77 °F (25 °C)
Touch panel	Multi-touch projected capacitive technology (PCT)
Type of Installation	Indoor installation
Inrush current	8.9 A
Width	21.98 in (558.4 mm)
Height	13.77 in (349.8 mm)
Depth	Enclosure 1.10 in (28 mm) 0.28 in (7 mm)
Net Weight	14.55 lb(US) (6.6 kg)

## Environment

IP degree of protection	IP66
NEMA degree of protection	NEMA 4X
Standards	UL 60950 CSA C22.2 No. 60950
Product Certifications	CCC C-tick EAC
Ambient air temperature for operation	32...131 °F (0...55 °C)
Ambient air temperature for storage	-22...158 °F (-30...70 °C)
Pollution degree	2
Relative Humidity	10...95 % non-condensing
Operating altitude	6561.68 ft (2000 m)
Vibration resistance	1 gn 5...500 Hz) HDD 2 gn 5...500 Hz) SSD 2 gn 5...500 Hz) Cfast card




## Ordering and shipping details

Category	22574-MAGELIS BOX PC AND PANEL PC
Discount Schedule	MC2
GTIN	3606480853692
Nbr. of units in pkg.	1
Package weight(Lbs)	14.55 lb(US) (6.6 kg)
Returnability	No
Country of origin	US

## Packing Units

Unit Type of Package 1	PCE
Package 1 Height	1.10 in (2.8 cm)
Package 1 width	13.78 in (35 cm)
Package 1 Length	21.97 in (55.8 cm)
Unit Type of Package 2	CAR
Number of Units in Package 2	1
Package 2 Weight	20.28 lb(US) (9.2 kg)
Package 2 Height	23.03 in (58.5 cm)
Package 2 width	8.66 in (22 cm)
Package 2 Length	28.74 in (73 cm)
Unit Type of Package 3	P12
Number of Units in Package 3	5
Package 3 Weight	112.44 lb(US) (51.0 kg)
Package 3 Height	31.10 in (79 cm)
Package 3 width	31.50 in (80 cm)
Package 3 Length	47.24 in (120 cm)

## Offer Sustainability

California proposition 65	WARNING: This product can expose you to chemicals including: Lead and lead compounds, which is known to the State of California to cause cancer and birth defects or other reproductive harm. For more information go to <a href="http://www.P65Warnings.ca.gov">www.P65Warnings.ca.gov</a>
REACH Regulation	 <a href="#">REACH Declaration</a>
REACH free of SVHC	Yes
EU RoHS Directive	Pro-active compliance (Product out of EU RoHS legal scope)  <a href="#">EU RoHS Declaration</a>
Mercury free	Yes
RoHS exemption information	 <a href="#">Yes</a>

---

China RoHS Regulation

 [China RoHS Declaration](#)

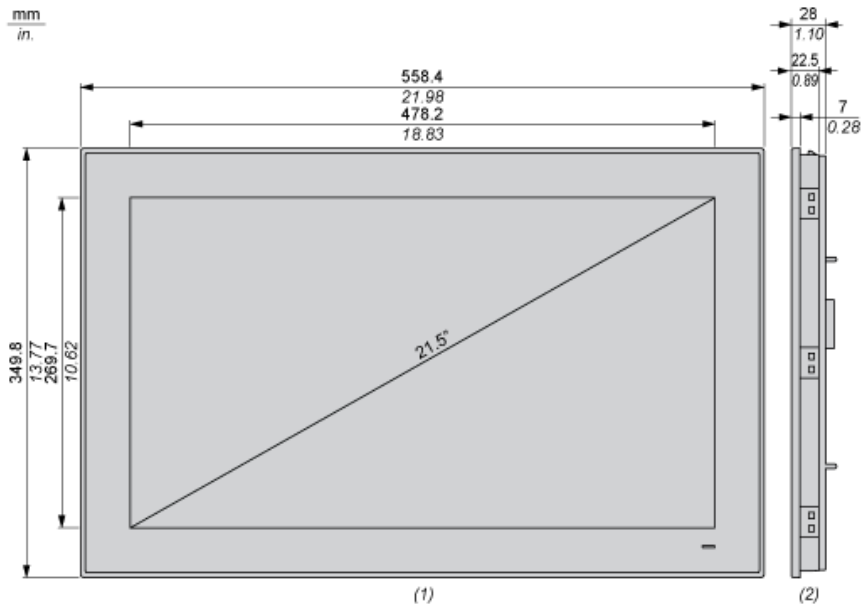
---

WEEE

The product must be disposed on European Union markets following specific waste collection and never end up in rubbish bins.

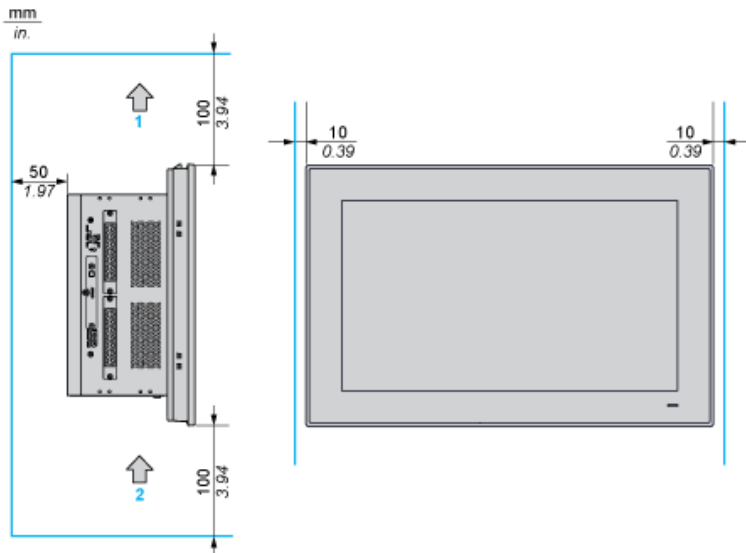
---

Dimensions



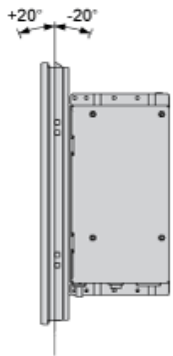
- (1) Front view
- (2) Right view

## Spacing Requirements



- 1 : Air out
- 2 : Air in

## Mounting Orientation



## Panel Cut Dimensions