

# HMIPSOC552D1W01

Multi touch screen, Harmony iPC, S Panel PC  
Optimized CFast W10 DC WES



## Main

Range of Product	Harmony iPC
Product or Component Type	Multi-touch screen
Processor Name	Intel Atom E3827 dual core 1.75 GHz
Chipset type	Intel Atom SoC
Free slots	1 CFast
Display size	10.1 inch
Display colour	267000 colours
Luminance	27.87 fc (300 cd/m <sup>2</sup> )
Pixel resolution	4096 x 4096
Video controller type	Intel HD Graphics
Operating system	WES 7 Premium SP1 64-bit multi-language
Software package	EcoStruxure secure connect advisor annual subscription cyber security license not included EcoStruxure Operator Terminal Expert run time HMI license not included EcoStruxure Machine SCADA Expert run time HMI/SCADA on configured offer only EcoStruxure augmented operator advisor server augmented operator license not included

## Complementary

Number of points	5
Terminal type	Touchscreen display
Memory type	4 GB RAM DDR3 internal
Data storage equipment	32 GB back side CFast card
Aspect ratio	16:9
Display Type	Colour TFT LCD LED
Display Resolution	1280 x 800 pixels WSVGA
Backlight lifespan	50000 hours
View angle horizontal x vertical	160 x 160°
Touch panel	Projected capacitive technology (PCT)
Type of cooling	Passive Fanless
Watchdog timer	1...255 ms
[Us] rated supply voltage	24 V DC +/- 20 % 100...240 V AC with additional adaptor HMIYPSOMAC1
Line Rated Current	1.9 A
Mechanical robustness	Hardness anti-scratch 7H
Local signalling	Buzzer For on LED (green) For stand-by LED (orange)
Function Available	Operate with water on screen
Width	11.15 in (283.1 mm)
Height	7.96 in (202.3 mm)
Depth	2.41 in (61.3 mm)
Cut-out dimensions	274.6 (+/- 0.7) x 193.8 (+/- 0.4)
Net Weight	5.51 lb(US) (2.5 kg)
Display size	10" wide multi-touch
Main type	Optimised

## Environment

IP degree of protection	Front panel IP66
Product Certifications	C-tick CCC EAC CE AS/NZS RCM
Standards	CSA C22.2 No. 60950 IEC 60950 IEC 61000-6-2 IEC 61000-6-4 FCC Part 15 class A UL 60950 CISPR 11
Directives	2006/95/EC - low voltage directive 2004/108/EC - electromagnetic compatibility
Pollution degree	2
Ambient air temperature for operation	32...131 °F (0...55 °C) SSD 32...131 °F (0...55 °C) Cfast card 32...113 °F (0...45 °C) HDD 32...113 °F (0...45 °C) Mini PCIe
Ambient air temperature for storage	-4...140 °F (-20...60 °C)
Relative Humidity	10...95 % non-condensing
Operating altitude	2000
Vibration resistance	1 gn 5...500 Hz)HDD 2 gn 5...500 Hz)SSD 2 gn 5...500 Hz)Cfast card

## Ordering and shipping details

Category	22575-MAGELIS MC3
Discount Schedule	MC3
GTIN	3606480853371
Returnability	No
Country of origin	US

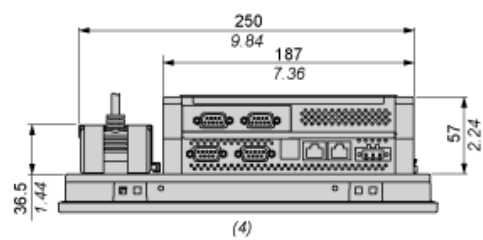
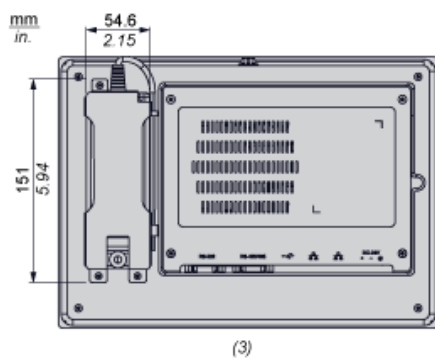
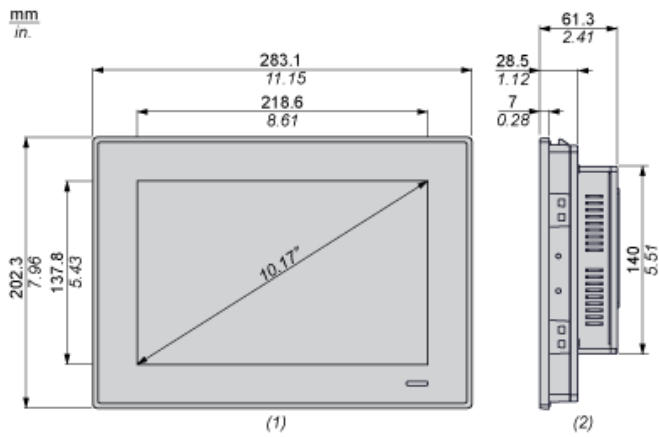
## Packing Units

Unit Type of Package 1	PCE
Number of Units in Package 1	1
Package 1 Height	2.40 in (6.1 cm)
Package 1 Width	7.95 in (20.2 cm)
Package 1 Length	11.14 in (28.3 cm)
Package 1 Weight	5.73 lb(US) (2.6 kg)

## Offer Sustainability

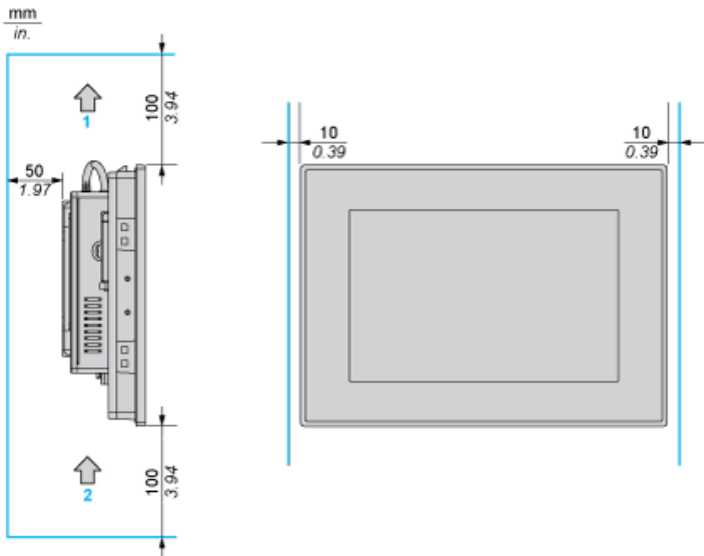
California proposition 65	WARNING: This product can expose you to chemicals including: Lead and lead compounds, which is known to the State of California to cause cancer and birth defects or other reproductive harm. For more information go to <a href="http://www.P65Warnings.ca.gov">www.P65Warnings.ca.gov</a>
EU RoHS Directive	Pro-active compliance (Product out of EU RoHS legal scope) <a href="#">EU RoHS Declaration</a>
Mercury free	Yes
China RoHS Regulation	<a href="#">China RoHS Declaration</a>
RoHS exemption information	<a href="#">Yes</a>
WEEE	The product must be disposed on European Union markets following specific waste collection and never end up in rubbish bins.

Dimensions



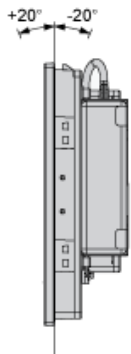
- (1) Front view
- (2) Right view
- (3) Back view
- (4) Bottom view

Spacing Requirements



- 1 : Air out
- 2 : Air in

Mounting Orientation



Panel Cut Dimensions