



Main

Range of Product	Harmony iPC
Product or Component Type	Multi-touch screen
Processor Name	Intel Atom E3827 dual core 1.75 GHz
Chipset type	Intel Atom SoC
Free slots	1 Internal SATA HDD/SSD 1 CFAST
Display size	15.6 inch
Display colour	16777216 colors
Luminance	27.87 fc (300 cd/m ²)
Pixel resolution	4096 x 4096
Video controller type	Intel HD Graphics
Operating system	Windows 10 IoT Enterprise 64 bit multi-language
Software package	EcoStruxure secure connect advisor annual subscription cyber security license not included EcoStruxure Operator Terminal Expert run time HMI license not included EcoStruxure Machine SCADA Expert run time HMI/SCADA on configured offer only EcoStruxure augmented operator advisor server augmented operator license not included

Complementary

Number of points	5
Terminal type	Touchscreen display
Memory type	4 GB RAM DDR3 internal
Data storage equipment	128 GB extension back side SSD 1500000 h
Aspect ratio	16:9
Display Type	LED Colour TFT LCD
Display Resolution	1366 x 768 pixels WXGA
Backlight lifespan	50000 hours
View angle horizontal x vertical	150 x 140°
Touch panel	Projected capacitive technology (PCT)
Type of cooling	Passive Fanless
Watchdog timer	1...255 ms
Number of slots	1 mini PCI Express full-size
[Us] rated supply voltage	24 V DC +/- 20 % 100...240 V AC with additional adaptor HMIYPSOMAC1
Line Rated Current	1.7 A
Mechanical robustness	Hardness anti-scratch 7H
Local signalling	Buzzer For on LED (green) For stand-by LED (orange)
Function Available	Operate with water on screen
Width	16.52 in (419.7 mm)
Height	10.59 in (269 mm)
Depth	3.39 in (86 mm)
Cut-out dimensions	412.4 (+/- 0.7) x 261.7 (+/- 0.4)
Net Weight	8.60 lb(US) (3.9 kg)

Display size	15" wide multi-touch
Main type	Optimised

Environment

IP degree of protection	Front panel IP66
Product Certifications	CE C-tick AS/NZS RCM CCC EAC
Standards	CSA C22.2 No. 60950 IEC 61000-6-2 CISPR 11 UL 60950 IEC 61000-6-4 FCC Part 15 class A IEC 60950
Directives	2004/108/EC - electromagnetic compatibility 2006/95/EC - low voltage directive
Pollution degree	2
Ambient air temperature for operation	32...131 °F (0...55 °C) SSD 32...131 °F (0...55 °C) Cfast card 32...113 °F (0...45 °C) HDD 32...113 °F (0...45 °C) Mini PCIe
Ambient air temperature for storage	-4...140 °F (-20...60 °C)
Relative Humidity	10...95 % non-condensing
Operating altitude	2000
Vibration resistance	1 gn 5...500 Hz)HDD 2 gn 5...500 Hz)SSD 2 gn 5...500 Hz)Cfast card

Ordering and shipping details

Category	22575-MAGELIS MC3
Discount Schedule	MC3
GTIN	3606480853401
Returnability	No
Country of origin	US

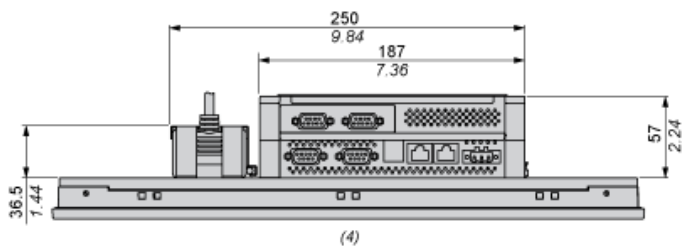
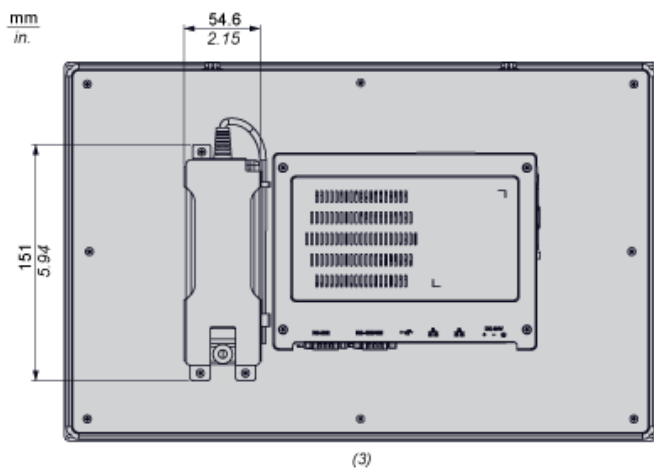
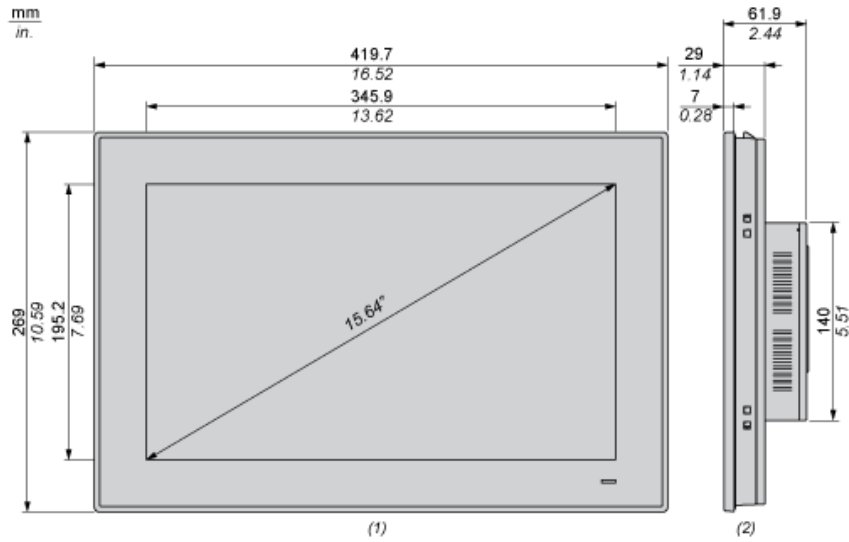
Packing Units

Unit Type of Package 1	PCE
Number of Units in Package 1	1
Package 1 Height	2.44 in (6.2 cm)
Package 1 Width	10.59 in (26.9 cm)
Package 1 Length	16.54 in (42.0 cm)
Package 1 Weight	8.82 lb(US) (4.0 kg)
Unit Type of Package 2	CAR
Number of Units in Package 2	1
Package 2 Height	23.03 in (58.5 cm)
Package 2 Width	8.66 in (22.0 cm)
Package 2 Length	28.74 in (73.0 cm)
Package 2 Weight	14.55 lb(US) (6.6 kg)
Unit Type of Package 3	P12
Number of Units in Package 3	5
Package 3 Height	14.96 in (38.0 cm)
Package 3 Width	31.50 in (80.0 cm)
Package 3 Length	47.24 in (120.0 cm)
Package 3 Weight	99.21 lb(US) (45.0 kg)

Offer Sustainability

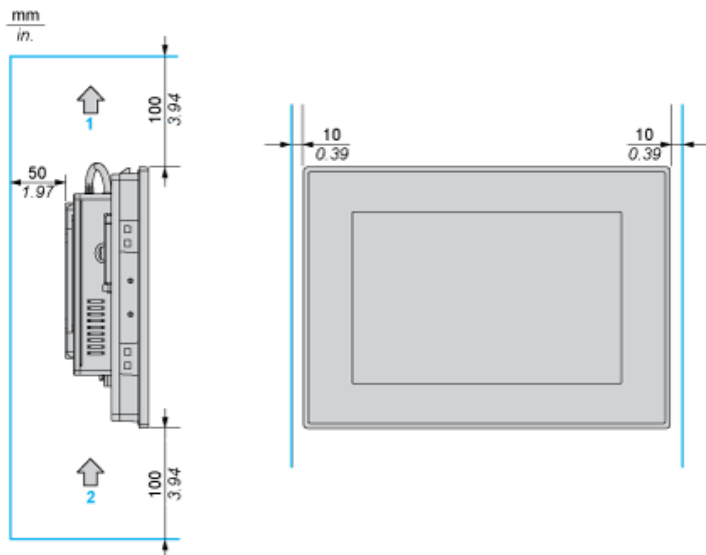
California proposition 65	WARNING: This product can expose you to chemicals including: Lead and lead compounds, which is known to the State of California to cause cancer and birth defects or other reproductive harm. For more information go to www.P65Warnings.ca.gov
EU RoHS Directive	Pro-active compliance (Product out of EU RoHS legal scope) EU RoHS Declaration
Mercury free	Yes
China RoHS Regulation	China RoHS Declaration
RoHS exemption information	Yes
WEEE	The product must be disposed on European Union markets following specific waste collection and never end up in rubbish bins.

Dimensions



- (1) Front view
- (2) Right view
- (3) Back view
- (4) Bottom view

Spacing Requirements



- 1 : Air out
- 2 : Air in

Mounting Orientation



Panel Cut Dimensions