



### Main

Range of Product	Harmony STO & STU
Product or Component Type	Touch panel screen
Software Designation	EcoStruxure Operator Terminal Expert
Operating System	Harmony

### Complementary

Display size	4.3 inch
Display Type	Colour TFT LCD
Display colour	65536 colours
Display Resolution	480 x 272 pixels
Touch panel	Analogue
Backlight lifespan	50000 hours white
Brightness	16 levels via touch panel
Character font	ASCII (European characters) Chinese (simplified Chinese) Korean Japanese (ANK, Kanji) Cyrillic Taiwanese (traditional Chinese)
[Us] rated supply voltage	12...24 V DC - 10...20 %
Power Consumption in W	7.5 W
Number of pages	8999
Memory description	Back up of data 512 kB Application memory 26 MB
Integrated connection type	1 USB 2.0 type mini B 1 USB 2.0 type A 1 serial link - 9-pin terminal block - RS232C 2400...115200 bps)
Supply	External source
Realtime clock	With RTC-battery set optional
Downloadable protocols	Third party protocols Modbus
Range Compatibility	Mitsubishi Siemens Omron Allen-Bradley
Fixing mode	By 2 installation fasteners 1.5 to 6 mm thick panel
Enclosure Material	PPT
Front material	Plastic
Cut-out dimensions	77.5 x 112.5 mm 66 x 105 mm with mounting adaptor
Net Weight	0.49 lb(US) (0.22 kg)

## Environment

Standards	ANSI/ISA 12.12.01 CSA C22.2 No 142 EN 61000-6-2 CSA C22.2 No 213 UL 61010-1 EN 61131-2 EN 61000-6-4 UL 61010-2-201
Product Certifications	KCC CE UL C-tick ATEX zone 2/22 CUL UKCA
Ambient Air Temperature for Operation	32...122 °F (0...50 °C)
Ambient Air Temperature for Storage	-4...140 °F (-20...60 °C)
Relative humidity	10...90 % without condensation
Operating altitude	6561.68 ft (2000 m)
IP degree of protection	IP65f front panel) IP20 rear panel)
NEMA degree of protection	NEMA 4X/13 front panel indoor use)
Shock resistance	15 gn 11 ms IEC 61131-2
Vibration resistance	1 gn 5...150 Hz) IEC 61131-2 3.5 mm constant amplitude 5...150 Hz) IEC 61131-2
Electromagnetic compatibility	Resistance to radiated electromagnetic fields 10 V/m 80 MHz...2.7 GHz) Resistance to electrostatic discharge 8 kV air discharge)level 3 EN 61000-4-2 Resistance to electrostatic discharge 6 kV direct contact)level 3 EN 61000-4-2

## Ordering and shipping details

Category	22569-MAGELIS XBT-GT (AND XBT-G)
Discount Schedule	MC2
GTIN	3606480920899
Returnability	Yes
Country of origin	CN

## Packing Units

Unit Type of Package 1	PCE
Number of Units in Package 1	1
Package 1 Height	5.20 in (13.2 cm)
Package 1 Width	3.07 in (7.8 cm)
Package 1 Length	7.17 in (18.2 cm)
Package 1 Weight	19.35 oz (548.5 g)

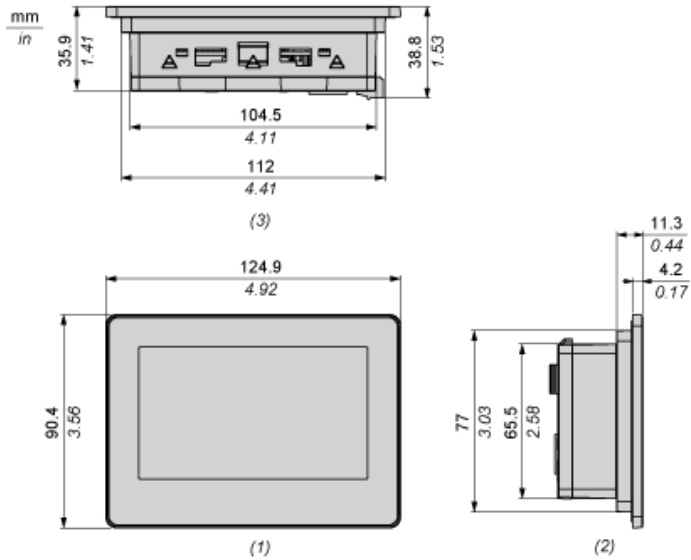
## Offer Sustainability

Sustainable offer status	Green Premium product
California proposition 65	WARNING: This product can expose you to chemicals including: Lead and lead compounds, which is known to the State of California to cause cancer and birth defects or other reproductive harm. For more information go to <a href="http://www.P65Warnings.ca.gov">www.P65Warnings.ca.gov</a>
REACH Regulation	<a href="#">REACH Declaration</a>
EU RoHS Directive	Pro-active compliance (Product out of EU RoHS legal scope) <a href="#">EU RoHS Declaration</a>
Mercury free	Yes
China RoHS Regulation	<a href="#">China RoHS Declaration</a>
RoHS exemption information	<a href="#">Yes</a>
Environmental Disclosure	<a href="#">Product Environmental Profile</a>

The product must be disposed on European Union markets following specific waste collection and never end up in rubbish bins.

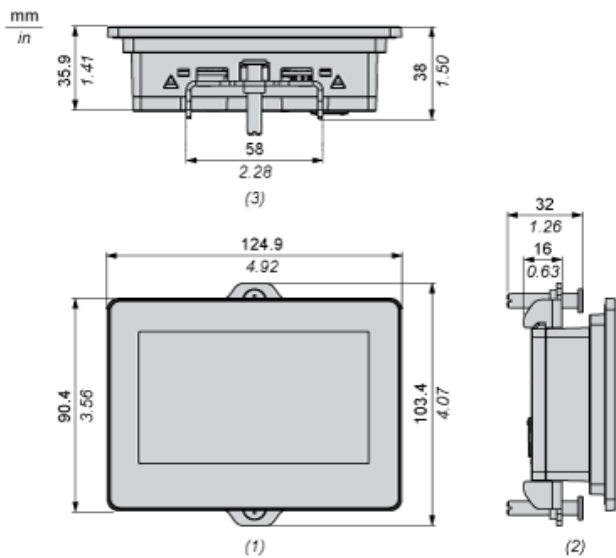
---

External Dimensions



- 1 Front
- 2 Left
- 3 Bottom

Dimensions with Installation Fasteners



- 1 Front
- 2 Left
- 3 Bottom