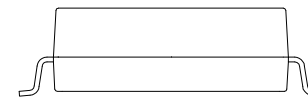
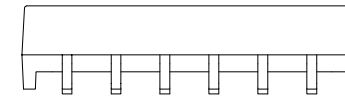
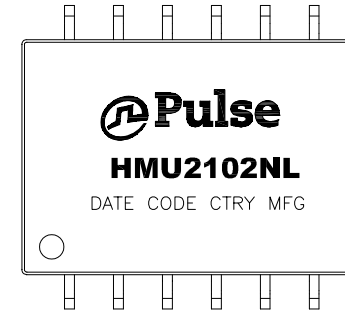




NOTES:

1. ROHS COMPLIANT
2. STORAGE TEMPERATURE: -50°C TO +125°C
3. COMPLIANCE TO J-STD:
 - A. J-STD-002: SOLDERABILITY AT 245°C REFLOW PROFILE
 - B. J-STD-020: LEVEL 1, NO MOISTURE SENSITIVE
 - C. J-STD-075: R7, 245°C MAXIMUM THROUGH REFLOW SOLDER
4. TO ORDER TAPE & REEL PACKAGING ADD A "T" SUFFIX TO THE PART NUMBER(i.e HXXXXXXXXNL BECOMES HXXXXXXXXNLT).
5. MEETS AEC-Q200 REQUIREMENTS
6. PACKING SPECIFICATION:
 REEL SIZE: 330mm
 TAPE WIDTH: 24mm
 TAPE PITCH: 24mm

 COMPONENTS PER REEL: 350 pcs



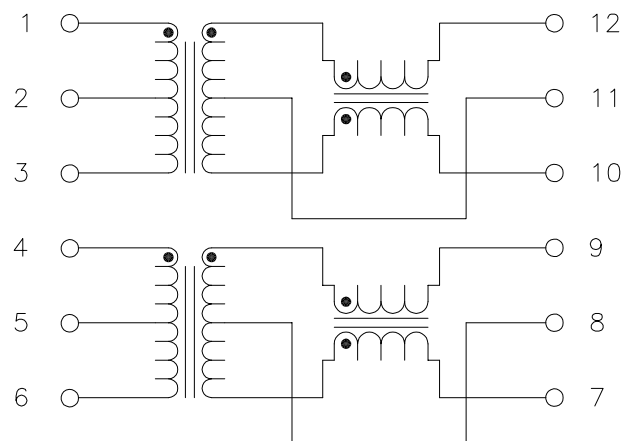
FINAL OUTLINE

© Copyright, 2017. Pulse Electronics Corp. All rights reserved. Pulse confidential & proprietary. (09/01/17)

PRODUCT DESCRIPTION	TLA DRAWING	PS DRAWING	SHEET	PART NO.	DATASHEET REV.
XFMR/CMC,DUAL,4.3kV,1:1,SMT,TU	HMU2102NL-13	PS-0023.002-D	1 OF 5	HMU2102NL	F



ELECTRICAL CHARACTERISTICS AT +25°C UNLESS OTHER SPECIFIED
(FOR REFERENCE ONLY. USED FOR CUSTOMER INFORMATION.)



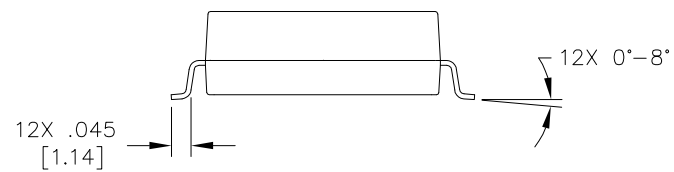
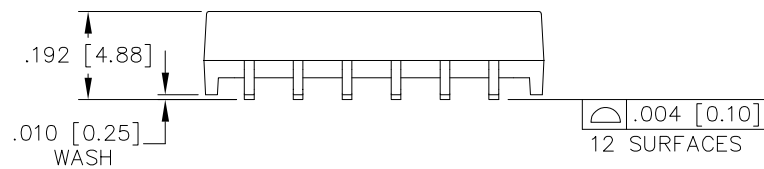
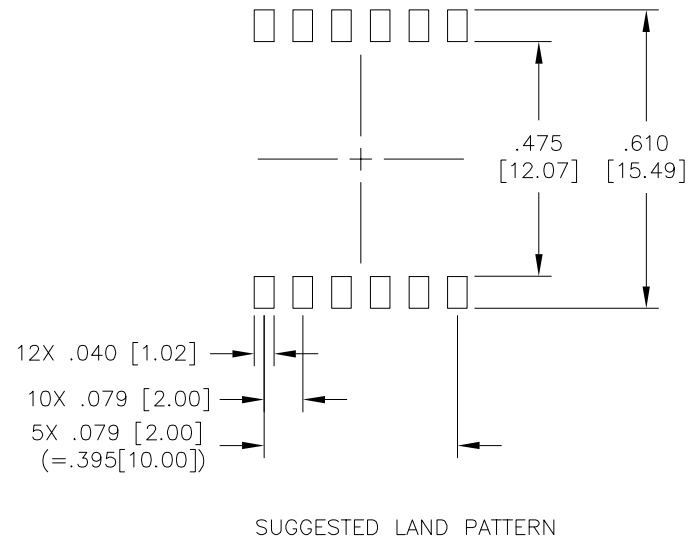
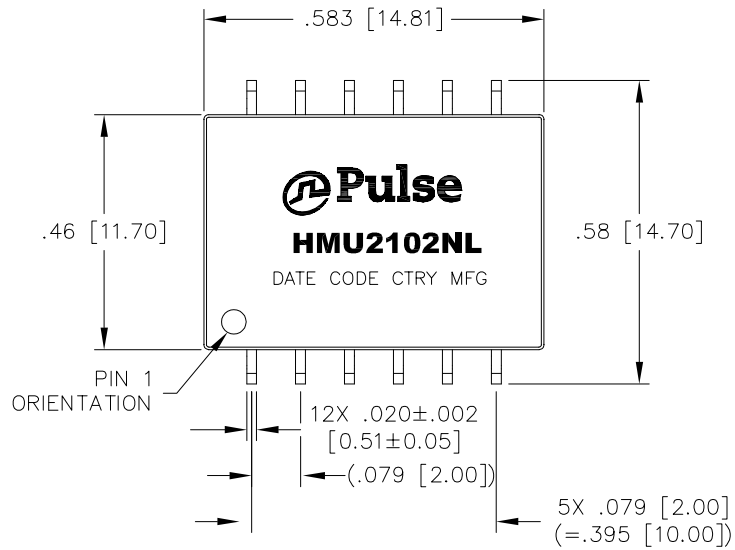
SCHEMATIC

PARAMETER	SPECIFICATIONS	
QUALIFICATION	PER AEC-Q200	
OPERATING TEMPERATURE	-40°C TO +125°C	
TURNS RATIO	1.00 ± 2%	
POLARITY	PER SCHEMATIC	
DC RESISTANCE	TRANSFORMER SIDE	CM CHOKE SIDE
	0.45 OHMS MAX	0.85 OHMS MAX
▽ INDUCTANCE (OCL) AT 100 kHz, 100 mV (-40°C TO +125°C)	150 uH MIN, 370 uH MAX	
▽ INSERTION LOSS	0.30 dB MAX @ 4 MHz	
RETURN LOSS (Z OUT = 100 OHM ±15%)	20 dB MIN @ 4 MHz	
CROSSTALK, ADJACENT CHANNELS	-50 dB MIN @ 4 MHz	
COMMON MODE REJECTION RATIO	1 - 10 MHz	10-1000 MHz
	-35 dB MIN	-20 dB MIN
▽ INPUT - OUTPUT ISOLATION	4300 VDC FOR 60 SECONDS	
WORKING VOLTAGE	1000 VDC FOR 15 YEARS	

NOTE: "▽" IS SPECIAL CHARACTERISTIC.

© Copyright, 2017. Pulse Electronics Corp. All rights reserved. Pulse confidential & proprietary. (09/01/17)

PRODUCT DESCRIPTION	TLA DRAWING	PS DRAWING	SHEET	PART NO.	DATASHEET REV.
XFMR/CMC,DUAL,4.3kV,1:1,SMT,TU	HMU2102NL-13	PS-0023.002-D	2 OF 5	HMU2102NL	F



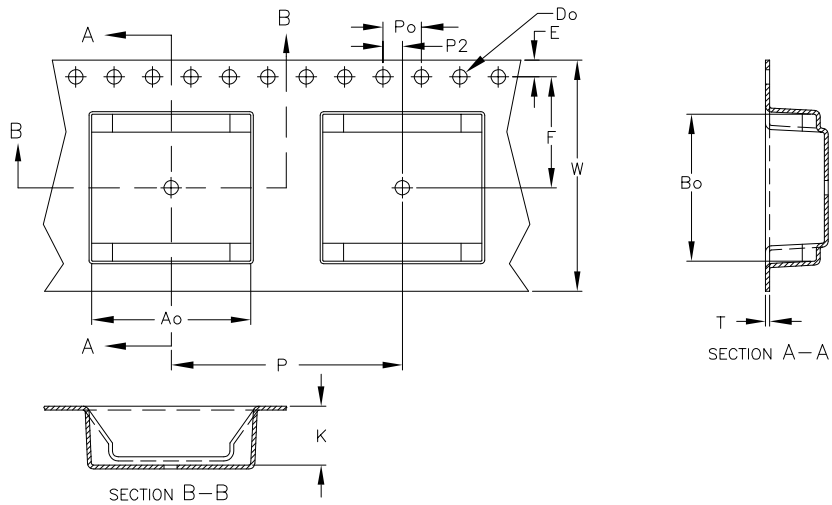
DIMENSIONS ARE IN INCHES [MILLIMETERS] WITH THE FOLLOWING TOLERANCES: [MILLIMETERS] ARE FOR REFERENCE ONLY.
.XX = ±.01 [±0.25]
.XXX = ±.005 [±0.13]

© Copyright, 2017. Pulse Electronics Corp. All rights reserved. Pulse confidential & proprietary. (09/01/17)

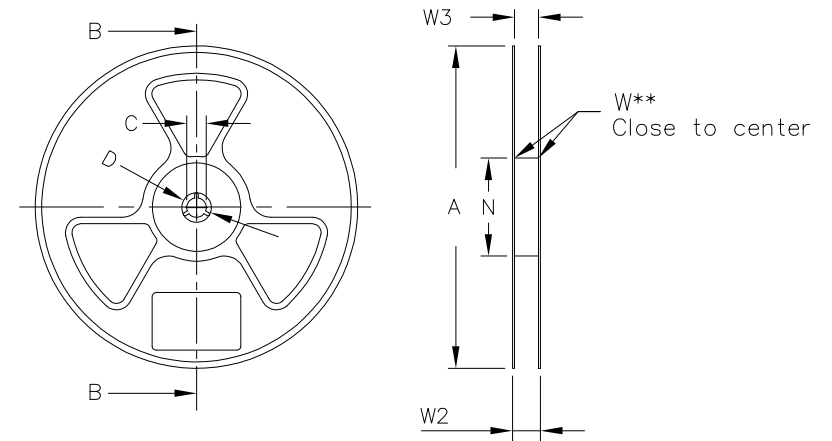
PRODUCT DESCRIPTION	TLA DRAWING	PS DRAWING	SHEET	PART NO.	DATASHEET REV.
XFMR/CMC,DUAL,4.3kV,1:1,SMT,TU	HMU2102NL-13	PS-0023.002-D	3 OF 5	HMU2102NL	F



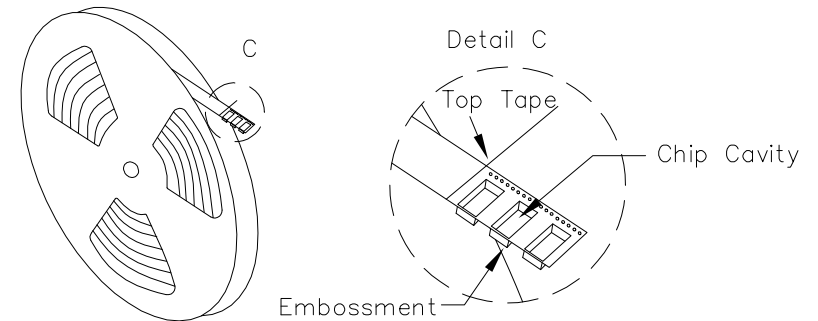
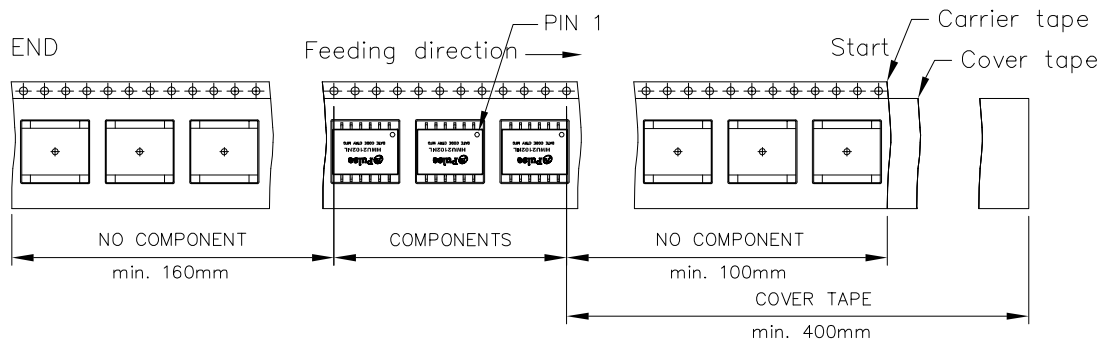
USER DIRECTION OF FEED



ITEM	W	P	Ao	Bo	K	T	C	Do	E	F	Po
DIM	24	24	16.51	15.24	6.1	0.40		1.5	1.75	11.5	4.0



	A	B	C	D	N	W1	W2	W3	W3	
Tolerance		min.	±0.8	min.	min.	+2.0	max.	min.	max.	
Tape width	mm	330.00	1.50	13.00	20.20	100.00	24.4	30.4	24.4	26.39



ALL DIMENSIONS ARE IN MILLIMETERS WITH THE FOLLOWING TOLERANCES: ±0.10

© Copyright, 2017. Pulse Electronics Corp. All rights reserved. Pulse confidential & proprietary. (09/01/17)

PRODUCT DESCRIPTION	TLA DRAWING	PS DRAWING	SHEET	PART NO.	DATASHEET REV.
XFMR/CMC,DUAL,4.3kV,1:1,SMT,TU	HMU2102NL-13	PS-0023.002-D	4 OF 5	HMU2102NL	F