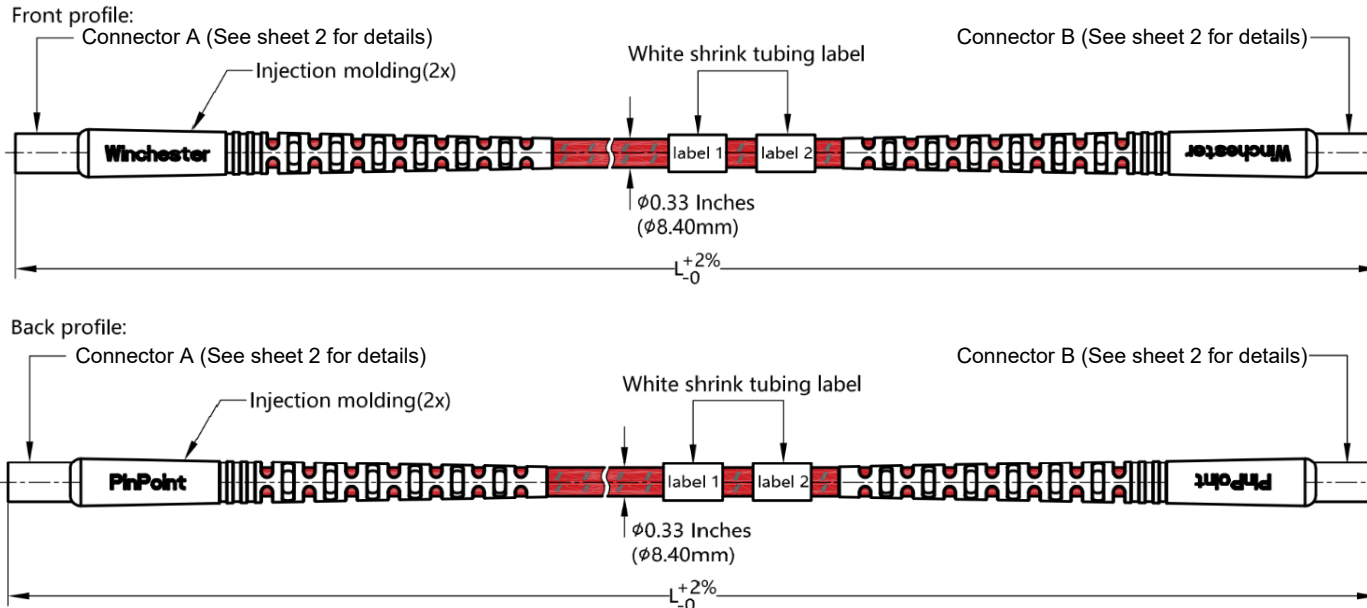


This document, including the design, configuration and mechanical features revealed herein are the sole, confidential and proprietary property of Winchester Interconnect. Reproduction or use thereof, in whole or part, is prohibited without the prior written consent of Winchester Interconnect.

REV	DESCRIPTION	DATE	APPROVED
A	PER EP-3050	01/17/23	FUH



label 1:
winconn.com
PN:HPA18-XXXXXX-YYY

label 2:
Month Year
MM/YYYY
SN:XXXX

MATERIAL SPECIFICATIONS

PIECE PARTS	MATERIALS	PLATING
Coupling Nut	Stainless Steel	Passivated
Body	Stainless Steel	Passivated
Contact Pin	Male: Be-Cu or Brass Female: Be-Cu	Gold
Insulator	PTFE (and PEI for SMA Male Right Angle)	Natural
Cable	HPA18, armored low loss phase stable cable (Red+Gray)	N/A

MECHANICAL SPECIFICATIONS

MIN. BENDING RADIUS STATIC	1.65 inches(42mm)
MIN. BENDING RADIUS DYNAMIC	3.15 inches(84mm)
RECOMMENDED COUPLING TORQUE	7-9 lb-in (SMA Male) 8-12 lb-in (TNCA Male) 9-14 lb-in (N Male)
COUPLING NUT RETENTION FORCE	60 lbs (SMA Male) 100 lbs (N Male/TNCA Male)
DURABILITY	5000 Cycles

ENVIRONMENTAL SPECIFICATIONS

RoHS & REACH	Compliant
TEMPERATURE RANGE	-40°C~+125°C

ELECTRICAL SPECIFICATIONS

IMPEDANCE	50 Ω
FREQUENCY RANGE	DC~18GHz
VOLTAGE RATING	335V(rms)
DIELECTRIC WITHSTANDING VOLTAGE	750V(DC)
INSULATION RESISTANCE	3000M Ω
INSERTION LOSS	See Page 3 for details
VSWR	1.30 Max (1.35 Max for Right Angles)
MECHANICAL PHASE STABILITY	$\pm 6^\circ$ Max
MECHANICAL AMPLITUDE STABILITY	± 0.08 dB Max.

UNLESS OTHERWISE SPECIFIED:
DIMENSIONS ARE IN INCHES [MM]
TOLERANCES:
DECIMALS: ± 0.12 [0.3]
ANGLES: $\pm 5^\circ$

DRAWN	DATE
FUH	01/17/23
APPR.	DATE
DCAM	01/17/23
APPR.	DATE
XXX	XX/XX/XX
APPR.	DATE
XXX	XX/XX/XX

68 Water St.
Norwalk, CT 06854

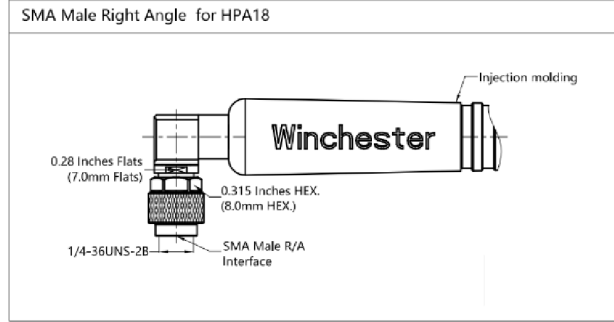
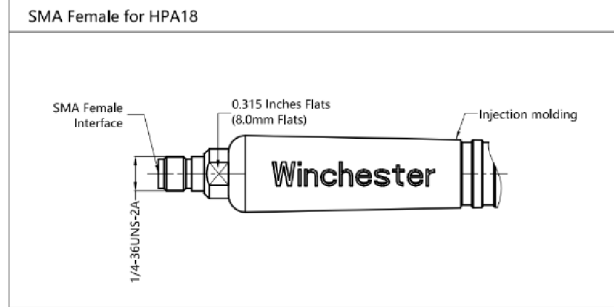
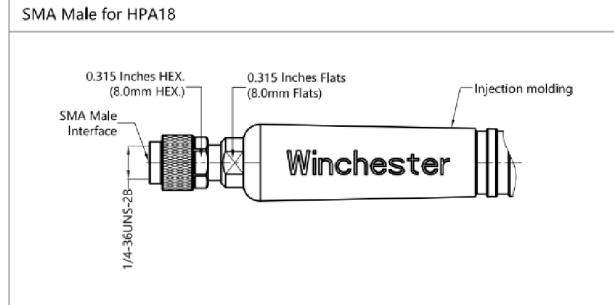
TITLE:
PINPOINT HIGH PERFORMANCE CABLE ASSEMBLY

THIRD ANGLE PROJECTION	SIZE A	DWG. NO. SDHPA18-XXXXXX-YYY	REV A
	SH 1 OF 3		

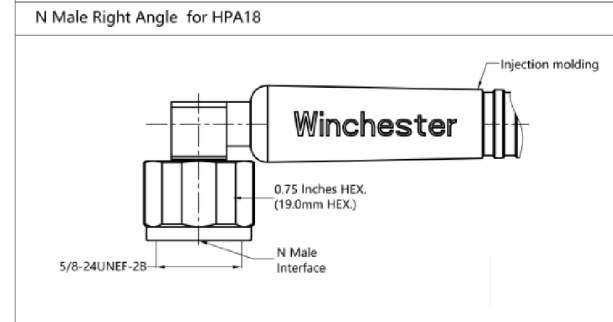
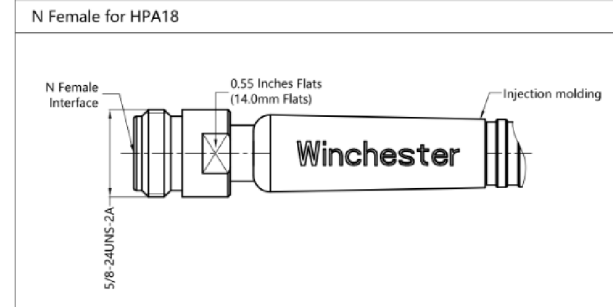
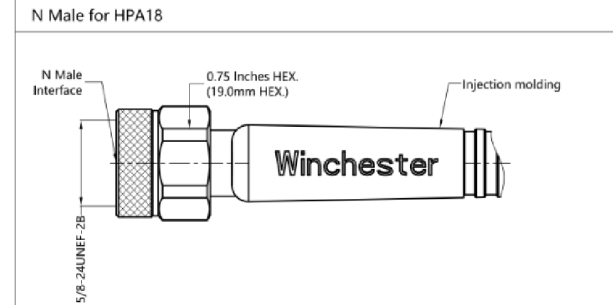
This document, including the design, configuration and mechanical features revealed herein are the sole, confidential and proprietary property of Winchester Interconnect. Reproduction or use thereof, in whole or part, is prohibited without the prior written consent of Winchester Interconnect.

REV	DESCRIPTION	DATE	APPROVED
A	PER EP-3050	01/17/23	FUH

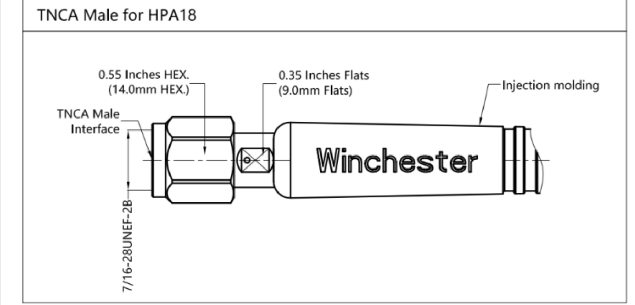
Outline drawing of connector A/B.



Outline drawing of connector A/B.



Outline drawing of connector A/B.



DRAWN	DATE
FUH	01/17/23
APPR.	DATE
DCAM	01/17/23
APPR.	DATE
XXX	XX/XX/XX
APPR.	DATE
XXX	XX/XX/XX

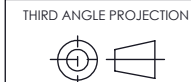
Winchester
Interconnect.

68 Water St.
Norwalk, CT 06854

TITLE:
**PINPOINT HIGH PERFORMANCE
CABLE ASSEMBLY**

UNLESS OTHERWISE SPECIFIED:
DIMENSIONS ARE IN INCHES [MM]

TOLERANCES:
DECIMALS: ±0.12[0.3]
ANGLES: ±5°



SIZE A	DWG. NO. SDHPA18-XXXXXX-YYY	REV A
SH 2 OF 3		