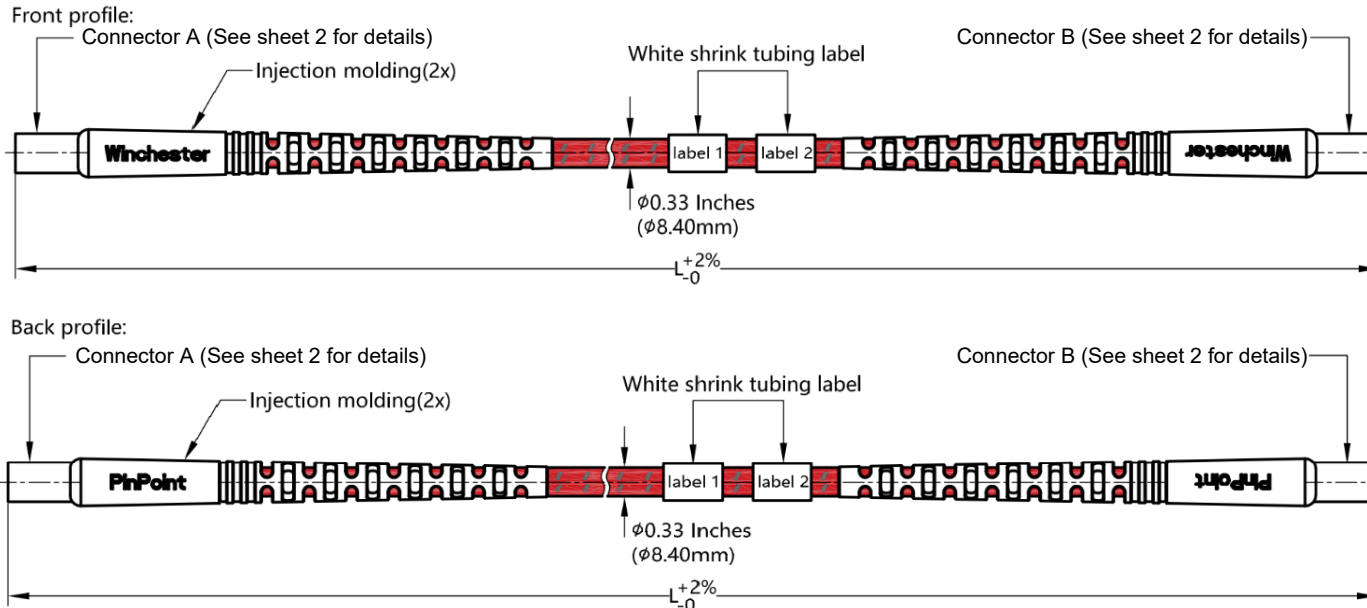


This document, including the design, configuration and mechanical features revealed herein are the sole, confidential and proprietary property of Winchester Interconnect. Reproduction or use thereof, in whole or part, is prohibited without the prior written consent of Winchester Interconnect.

REV	DESCRIPTION	DATE	APPROVED
A	PER EP-3050	01/17/23	FUH



label 1:  
 winconn.com  
 PN:HPA18-XXXXXX-YYY

label 2:  
 Month Year  
 MM/YYYY  
 SN:XXXX

**MATERIAL SPECIFICATIONS**

PIECE PARTS	MATERIALS	PLATING
Coupling Nut	Stainless Steel	Passivated
Body	Stainless Steel	Passivated
Contact Pin	Male: Be-Cu or Brass Female: Be-Cu	Gold
Insulator	PTFE (and PEI for SMA Male Right Angle)	Natural
Cable	HPA18, armored low loss phase stable cable (Red+Gray)	N/A

**MECHANICAL SPECIFICATIONS**

<b>MIN. BENDING RADIUS STATIC</b>	1.65 inches(42mm)
<b>MIN. BENDING RADIUS DYNAMIC</b>	3.15 inches(84mm)
<b>RECOMMENDED COUPLING TORQUE</b>	7-9 lb-in (SMA Male) 8-12 lb-in (TNCA Male) 9-14 lb-in (N Male)
<b>COUPLING NUT RETENTION FORCE</b>	60 lbs (SMA Male) 100 lbs (N Male/TNCA Male)
<b>DURABILITY</b>	5000 Cycles

**ENVIRONMENTAL SPECIFICATIONS**

<b>RoHS &amp; REACH</b>	Compliant
<b>TEMPERATURE RANGE</b>	-40°C~+125°C

**ELECTRICAL SPECIFICATIONS**

<b>IMPEDANCE</b>	50Ω
<b>FREQUENCY RANGE</b>	DC~18GHz
<b>VOLTAGE RATING</b>	335V(rms)
<b>DIELECTRIC WITHSTANDING VOLTAGE</b>	750V(DC)
<b>INSULATION RESISTANCE</b>	3000MΩ
<b>INSERTION LOSS</b>	See Page 3 for details
<b>VSWR</b>	1.30 Max (1.35 Max for Right Angles)
<b>MECHANICAL PHASE STABILITY</b>	±6° Max
<b>MECHANICAL AMPLITUDE STABILITY</b>	±0.08dB Max.

UNLESS OTHERWISE SPECIFIED:  
 DIMENSIONS ARE IN INCHES [MM]  
 TOLERANCES:  
 DECIMALS: ±0.12[0.3]  
 ANGLES: ±5°

DRAWN	DATE
FUH	01/17/23
APPR.	DATE
DCAM	01/17/23
APPR.	DATE
XXX	XX/XX/XX
APPR.	DATE
XXX	XX/XX/XX

68 Water St.  
Norwalk, CT 06854

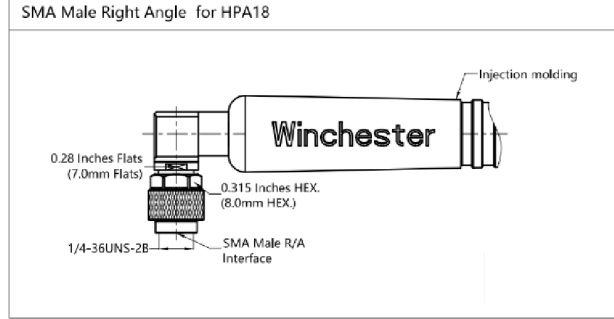
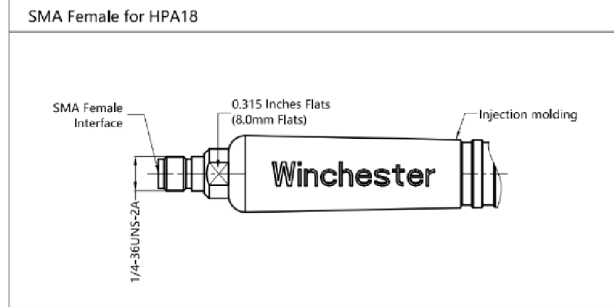
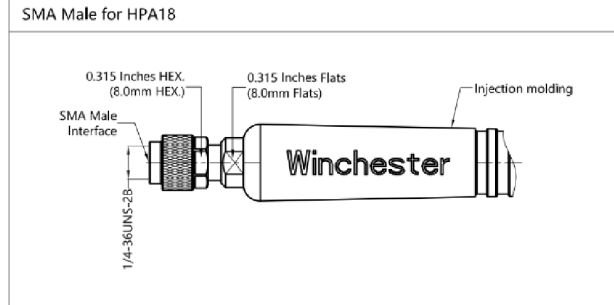
TITLE:  
**PINPOINT HIGH PERFORMANCE CABLE ASSEMBLY**

THIRD ANGLE PROJECTION	SIZE <b>A</b>	DWG. NO. <b>SDHPA18-XXXXXX-YYY</b>	REV <b>A</b>
	SH 1 OF 3		

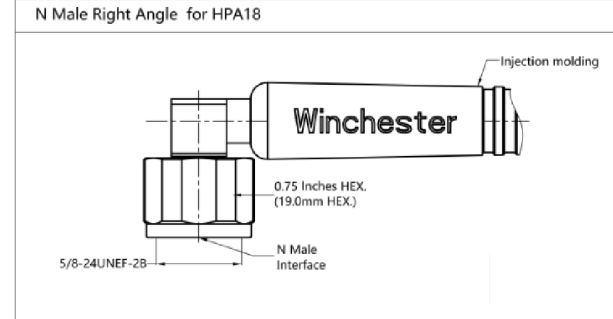
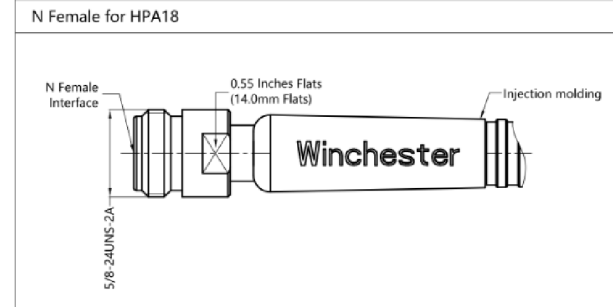
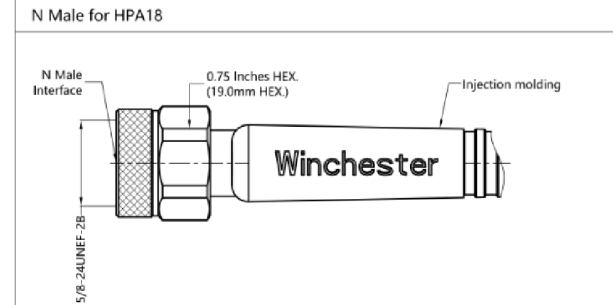
This document, including the design, configuration and mechanical features revealed herein are the sole, confidential and proprietary property of Winchester Interconnect. Reproduction or use thereof, in whole or part, is prohibited without the prior written consent of Winchester Interconnect.

REV	DESCRIPTION	DATE	APPROVED
A	PER EP-3050	01/17/23	FUH

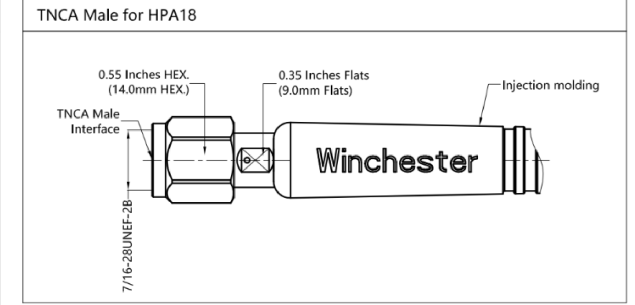
Outline drawing of connector A/B.



Outline drawing of connector A/B.



Outline drawing of connector A/B.



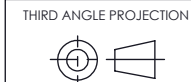
DRAWN	DATE
FUH	01/17/23
APPR.	DATE
DCAM	01/17/23
APPR.	DATE
XXX	XX/XX/XX
APPR.	DATE
XXX	XX/XX/XX

**Winchester Interconnect.** 68 Water St. Norwalk, CT 06854

TITLE: **PINPOINT HIGH PERFORMANCE CABLE ASSEMBLY**

UNLESS OTHERWISE SPECIFIED:  
DIMENSIONS ARE IN INCHES [MM]

TOLERANCES:  
DECIMALS: ±0.12[0.3]  
ANGLES: ±5°



SIZE <b>A</b>	DWG. NO. <b>SDHPA18-XXXXXX-YYY</b>	REV <b>A</b>
SH 2 OF 3		