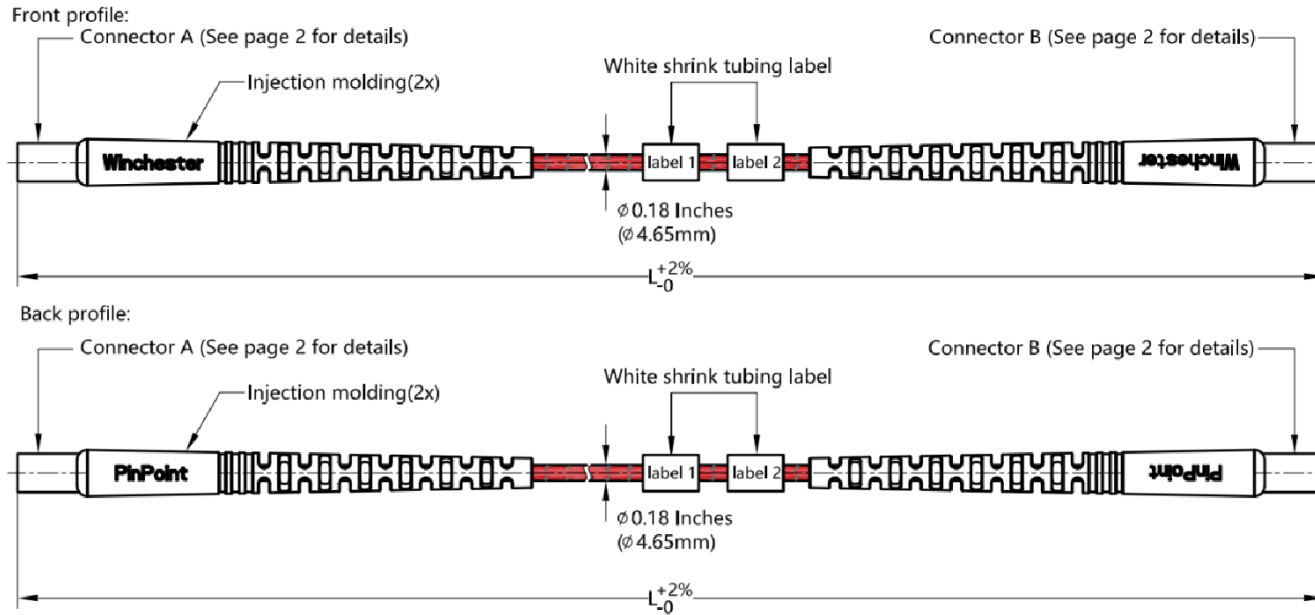


This document, including the design, configuration and mechanical features revealed herein are the sole, confidential and proprietary property of Winchester Interconnect. Reproduction or use thereof, in whole or part, is prohibited without the prior written consent of Winchester Interconnect.

REV	DESCRIPTION	DATE	APPROVED
A	PER EP-3082	02/17/23	FUH



label 1:  
 winconn.com  
 PN:HPA67-XXXXXX-YYY

label 2:  
 Month Year  
 MM/YYYY  
 SN:XXXX

**MATERIAL SPECIFICATIONS**

PIECE PARTS	MATERIALS	PLATING
Coupling Nut	Stainless Steel	Passivated
Body	Stainless Steel	Passivated
Contact Pin	Be-Cu	Gold
Insulator	PEI & PEEK	Natural
Cable	HPA67, armored low loss phase stable cable (Red+Gray)	N/A

**MECHANICAL SPECIFICATIONS**

MIN. BENDING RADIUS STATIC	.094 inches(24mm)
MIN. BENDING RADIUS DYNAMIC	1.85 inches(47mm)
RECOMMENDED COUPLING TORQUE	7-9 lb-in (1.85mm Male)
COUPLING NUT RETENTION FORCE	60 lbs (1.85mm Male)
DURABILITY	5000 Cycles

**ENVIRONMENTAL SPECIFICATIONS**

RoHS & REACH	Compliant
TEMPERATURE RANGE	-40°C~+125°C

**ELECTRICAL SPECIFICATIONS**

IMPEDANCE	50Ω
FREQUENCY RANGE	DC~67GHz
VOLTAGE RATING	335V(rms)
DIELECTRIC WITHSTANDING VOLTAGE	500V(DC)
INSULATION RESISTANCE	3000MΩ
INSERTION LOSS	See Page 3 for details
VSWR	1.38 Max.
MECHANICAL PHASE STABILITY	±12° Max.
MECHANICAL AMPLITUDE STABILITY	±0.15dB Max.

UNLESS OTHERWISE SPECIFIED:  
 DIMENSIONS ARE IN INCHES [MM]  
 TOLERANCES:  
 DECIMALS: ±0.12[0.3]  
 ANGLES: ±5°

DRAWN	DATE
FUH	01/17/23
APPR.	DATE
DCAM	01/17/23
APPR.	DATE
XXX	XX/XX/XX
APPR.	DATE
XXX	XX/XX/XX

**Winchester Interconnect.**  
 68 Water St.  
 Norwalk, CT 06854

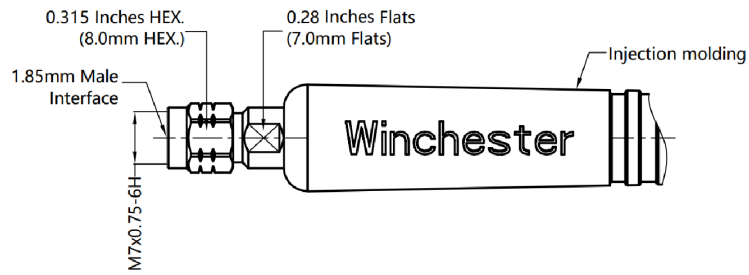
TITLE:  
**PINPOINT 1.85mm HIGH PERFORMANCE CABLE ASSEMBLY**

THIRD ANGLE PROJECTION	SIZE A	DWG. NO.	REV
	SH 1 OF 3	SDHPA67-XXXXXX-YYY	A

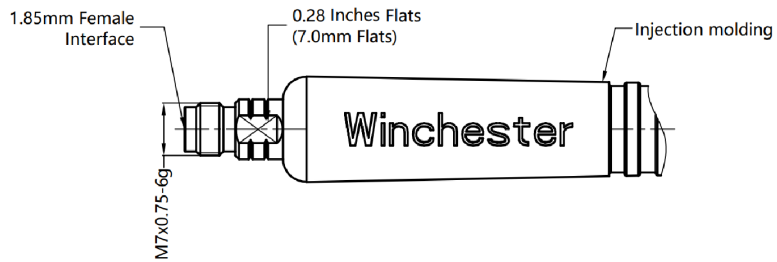
This document, including the design, configuration and mechanical features revealed herein are the sole, confidential and proprietary property of Winchester Interconnect. Reproduction or use thereof, in whole or part, is prohibited without the prior written consent of Winchester Interconnect.

REV	DESCRIPTION	DATE	APPROVED
A	PER EP-3082	02/17/23	FUH

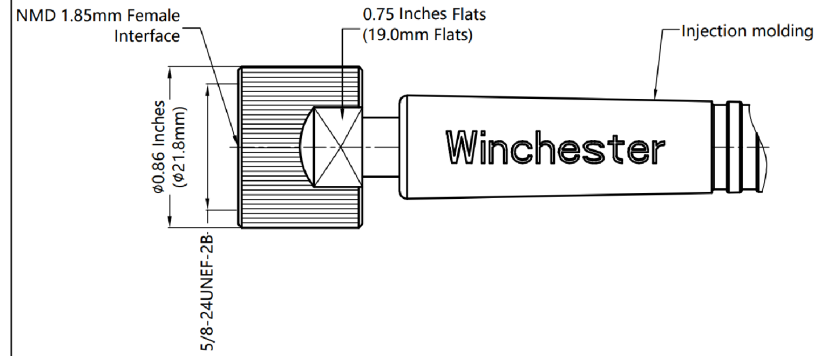
1.85mm Male for HPA67



1.85mm Female for HPA67



NMD 1.85mm Female for HPA67



68 Water St.  
Norwalk, CT 06854

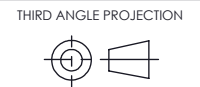
DRAWN	DATE
FUH	01/17/23
APPR.	DATE
DCAM	01/17/23
APPR.	DATE
XXX	XX/XX/XX
APPR.	DATE
XXX	XX/XX/XX



TITLE:  
**PINPOINT 1.85mm HIGH PERFORMANCE CABLE ASSEMBLY**

UNLESS OTHERWISE SPECIFIED:  
DIMENSIONS ARE IN INCHES [MM]

TOLERANCES:  
DECIMALS: ±0.12[0.3]  
ANGLES: ±5°



SIZE  
**A**  
SH 2 OF 3

DWG. NO.  
**SDHPA67-XXXXXX-YYY**

REV  
**A**