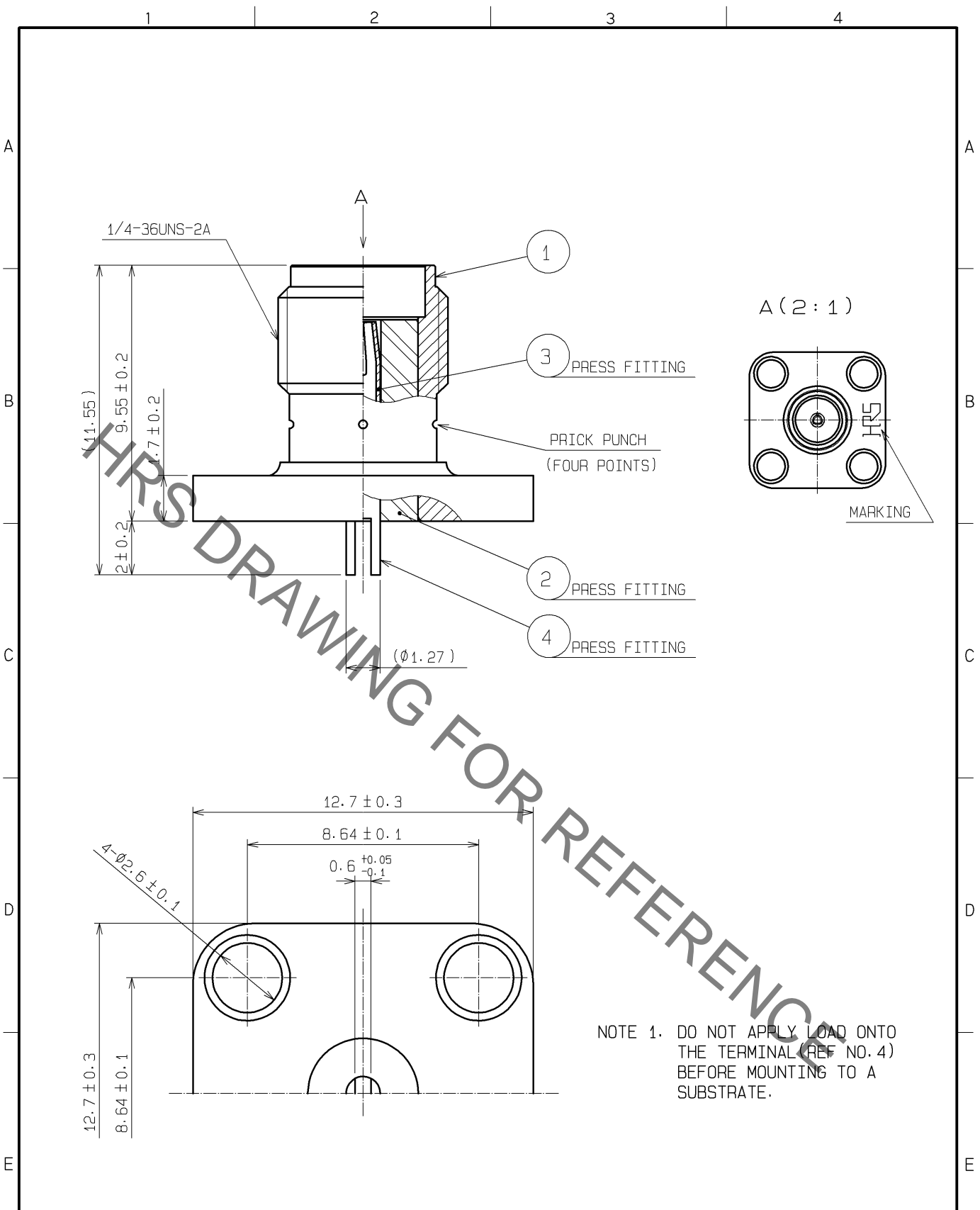


Jun.1.2021 Copyright 2021 HIROSE ELECTRIC CO., LTD. All Rights Reserved.
 In case of consideration for using Automotive equipment / device which demand high reliability, kindly contact our sales window correspondents.



NOTE 1. DO NOT APPLY LOAD ONTO THE TERMINAL (REF NO. 4) BEFORE MOUNTING TO A SUBSTRATE.

RoHS COMPLIANT

2	PTFE		4	BRASS	GOLD PLATING
1	STAINLESS STEEL	PASSIVATE	3	BERYLLIUM COPPER	GOLD PLATING
NO.	MATERIAL	FINISH . REMARKS	NO.	MATERIAL	FINISH . REMARKS
UNITS mm		SCALE 5 : 1		DESCRIPTION OF REVISIONS	DESIGNED
HIROSE ELECTRIC CO., LTD.		APPROVED : MH. YAMANE	08. 07. 02	DRAWING NO.	EDC4-315723-00
		CHECKED : MH. YAMANE	08. 07. 02	PART NO.	HRM(V)-304S
		DESIGNED : TS. NOBE	08. 07. 01	CODE NO.	CL323-0886-0-00
		DRAWN : TS. NOBE	08. 07. 01		