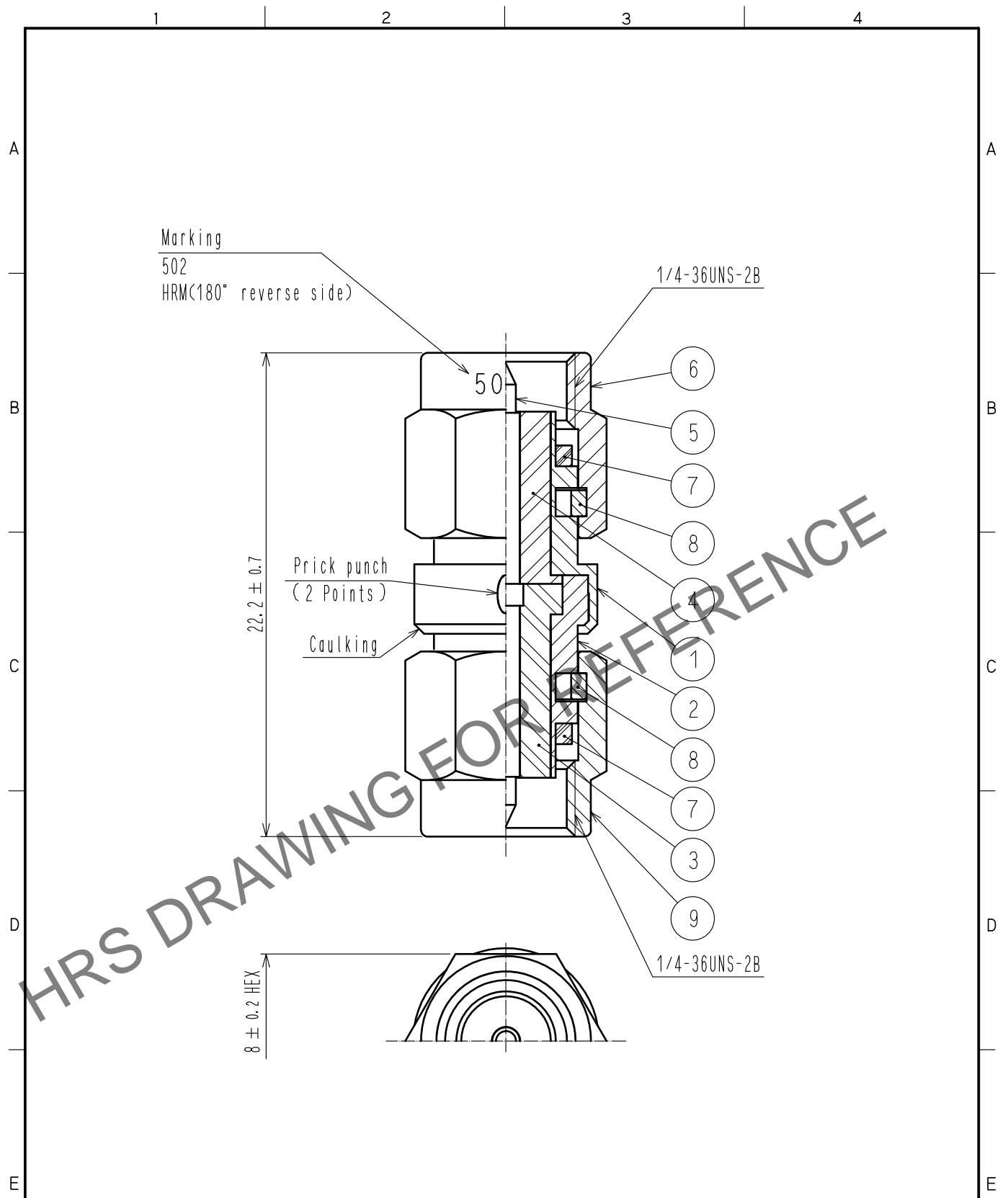


Aug.1.2023 Copyright 2023 HIROSE ELECTRIC CO., LTD. All Rights Reserved.
In case of consideration for using Automotive equipment / device which demand high reliability, kindly contact our sales window correspondents.



5	BRASS	GOLD PLATING		9	STAINLESS STEEL	GOLD PLATING				
4	PTFE			8	BERYLLIUM COPPER	NICKEL PLATING				
3	PTFE			7	SILICONE RUBBER	(RED)				
2	STAINLESS STEEL	GOLD PLATING		6	STAINLESS STEEL	GOLD PLATING				
1	STAINLESS STEEL	GOLD PLATING								
NO.	MATERIAL	FINISH . REMARKS		NO.	MATERIAL	FINISH . REMARKS				
UNITS mm		SCALE 4 : 1		COUNT		DESCRIPTION OF REVISIONS		DESIGNED	CHECKED	DATE
HIROSE ELECTRIC CO., LTD.		APPROVED :NK. NINOMIYA		20220125		DRAWING NO.		EDC-004434-40-00		
		CHECKED :NK. NINOMIYA		20220125		PART NO.		HRM-502(40)		
		DESIGNED :MT. KANEKO		20220125		CODE NO.		CL0323-0030-0-40		
		DRAWN :YK. MITSUISHI		20220121						