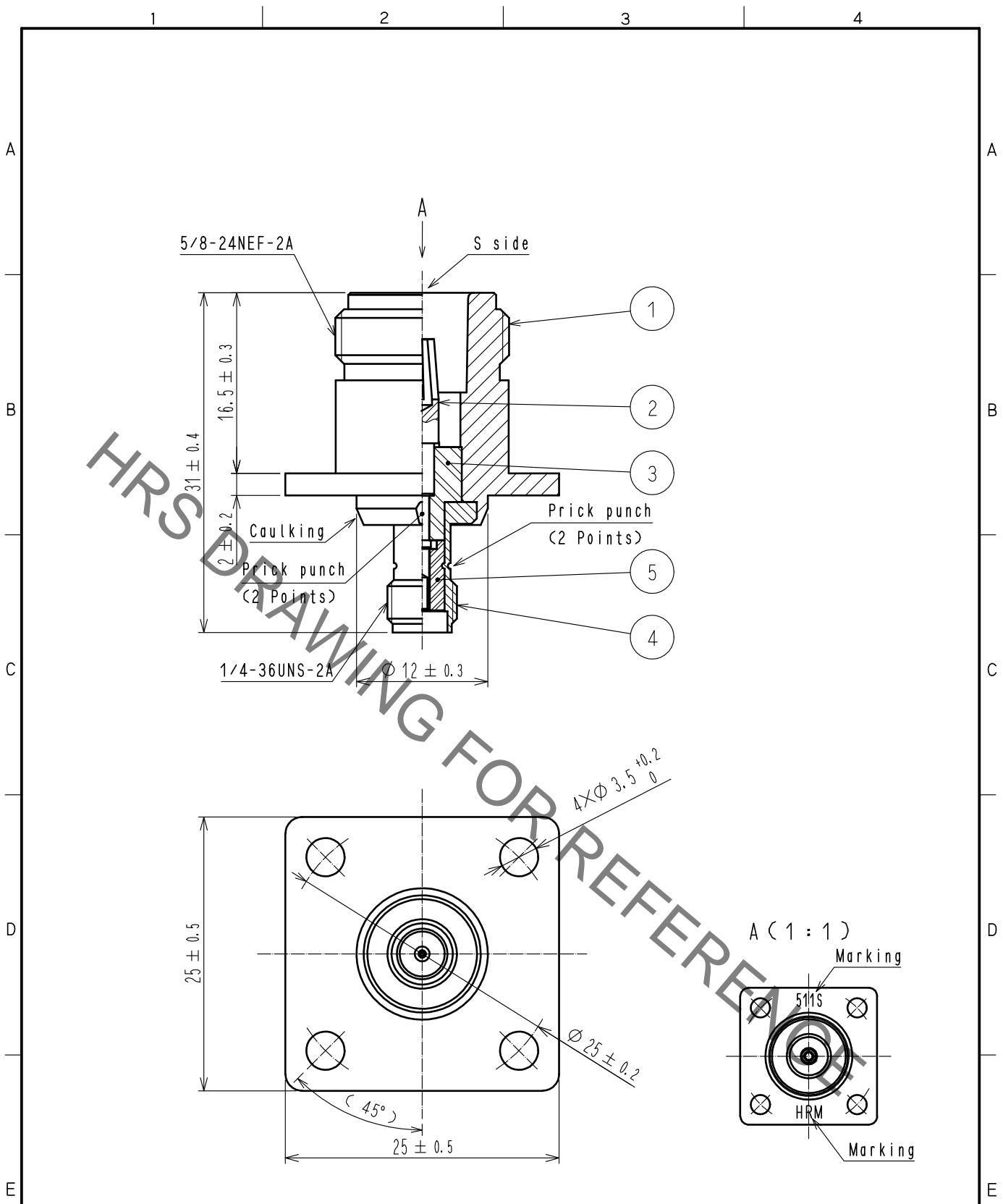


Apr.1.2022 Copyright 2022 HIROSE ELECTRIC CO., LTD. All Rights Reserved.
 In case of consideration for using Automotive equipment / device which demand high reliability, kindly contact our sales window correspondents.



3	PTFE			5	PTFE		
2	BERYLLIUM COPPER	GOLD PLATING		4	STAINLESS STEEL	PASSIVATE	
1	BRASS	NICKEL PLATING					
NO.	MATERIAL	FINISH	REMARKS	NO.	MATERIAL	FINISH	REMARKS
UNITS mm		SCALE 2 : 1		COUNT		DESCRIPTION OF REVISIONS	
DESIGNED		CHECKED		DATE			
HIROSE ELECTRIC CO., LTD.		APPROVED	·NK. NINOMIYA	20211203	DRAWING NO.		EDC-007700-40-00
		CHECKED	·NK. NINOMIYA	20211203	PART NO.		HRM-511S(40)
		DESIGNED	·MT. KANEKO	20211203	CODE NO.		CL0311-0143-6-40
		DRAWN	·NK. OOSHIMA	20211130			1/1