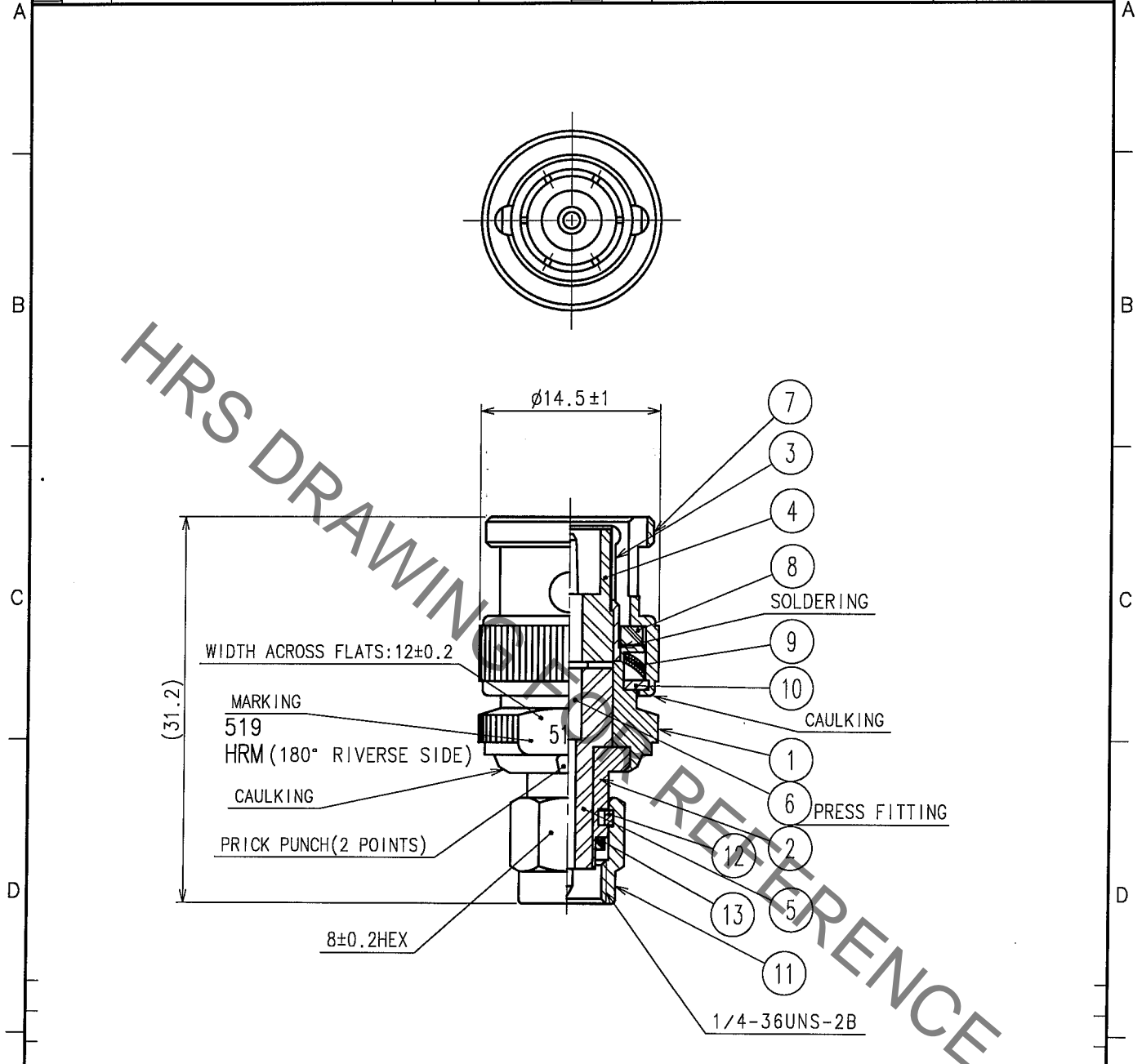


Jan.1.2022 Copyright 2022 HIROSE ELECTRIC CO., LTD. All Rights Reserved.  
In case of consideration for using Automotive equipment / device which demand high reliability, kindly contact our sales window correspondents.

1		2			3			4		
COUNT	DESCRIPTION OF REVISIONS	BY	CHKD	DATE	COUNT	DESCRIPTION OF REVISIONS	BY	CHKD	DATE	
△					△					
△					△					
△					△					



7	BRASS	SILVER PLATING			
6	BRASS	GOLD PLATING	13	SILICONE RUBBER	
5	PTFE		12	BERYLLIUM COPPER	NICKEL PLATING
4	PTFE		11	STAINLESS STEEL	GOLD PLATING
3	BERYLLIUM COPPER	SILVER PLATING	10	BRASS	SILVER PLATING
2	STAINLESS STEEL	GOLD PLATING	9	BERYLLIUM COPPER	SILVER PLATING
1	BRASS	SILVER PLATING	8	SILICONE RUBBER	
NO.	MATERIAL	FINISH, REMARKS	NO.	MATERIAL	FINISH, REMARKS

CODE NO. (OLD)		DRAWN	DESIGNED	CHECKED	APPROVED	RELEASED
RoHS COMPLIANT		R.KIMURA 05.07.25	R.KIMURA 05.07.25	M. Yamane 05.07.29	J. Mitani 05.08.01	

SCALE 2 : 1	DRAWING NO.	PART NO.
	EDC4-005018-40	HRM-519(40)
UNITS mm	HRS HIROSE ELECTRIC CO., LTD.	CODE NO. CL311-0101-6-40

TO  
RF