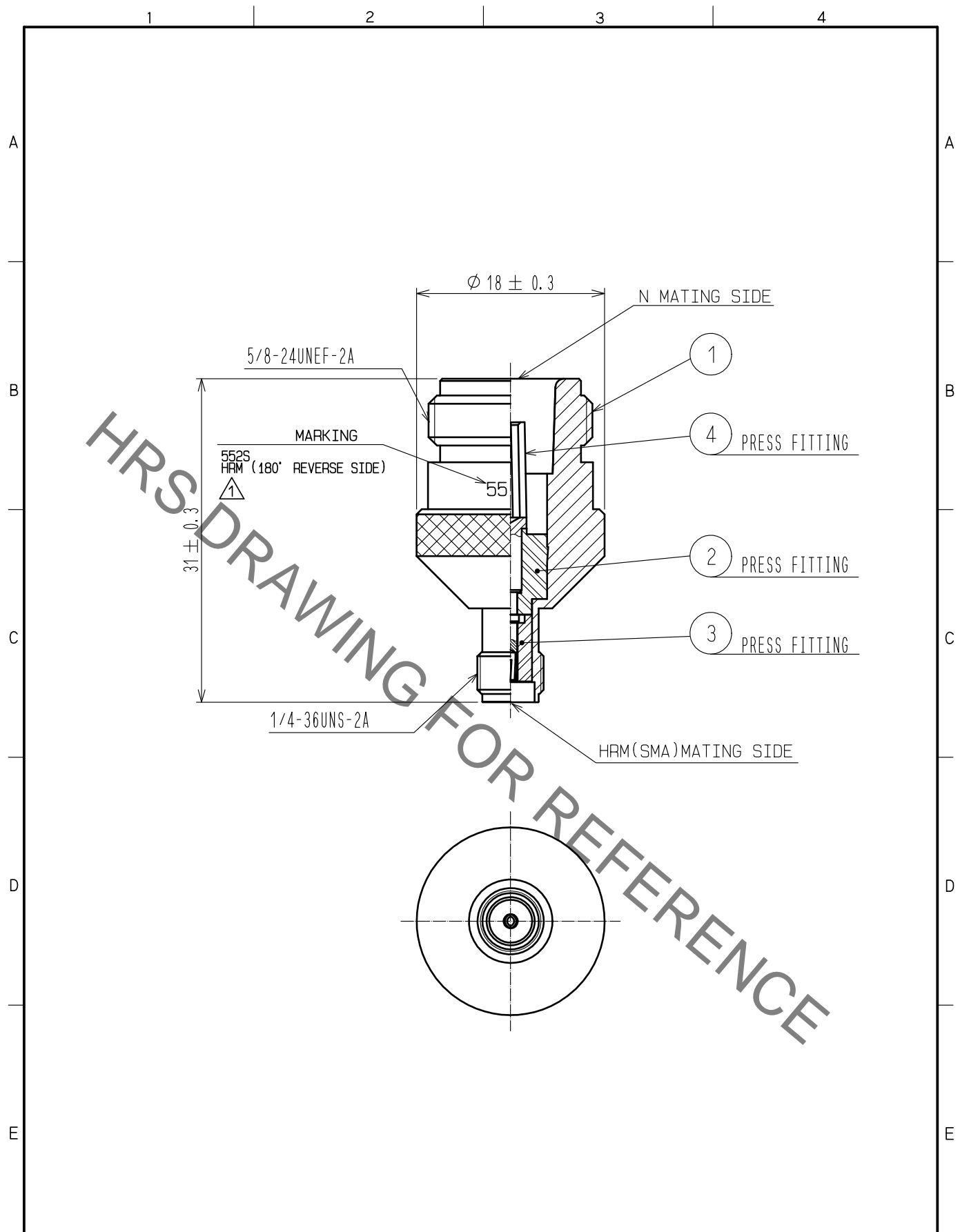


Jan.1.2022 Copyright 2022 HIROSE ELECTRIC CO., LTD. All Rights Reserved.
In case of consideration for using Automotive equipment / device which demand high reliability, kindly contact our sales window correspondents.



2	PTFE		4	Beryllium copper	Gold plating		
1	Stainless steel	Passivate	3	PTFE			
NO.	MATERIAL	FINISH . REMARKS	NO.	MATERIAL	FINISH . REMARKS		
UNITS mm		SCALE 2 : 1	COUNT 	DESCRIPTION OF REVISIONS DIS-D-00004178	DESIGNED NK. NINOMIYA	CHECKED TS. NOBE	DATE 20190621
HRS HIROSE ELECTRIC CO., LTD.	APPROVED	: IJ. MITANI	20050105	DRAWING NO.	EDC4-007205-00		
	CHECKED	: KY. SHIMIZU	20050105	PART NO.	HRM-552S		
	DESIGNED	: TO. KATAYAMA	20050105	CODE NO.	CL311-0119-1-00		
	DRAWN	: MH. WATANABE	20050105				