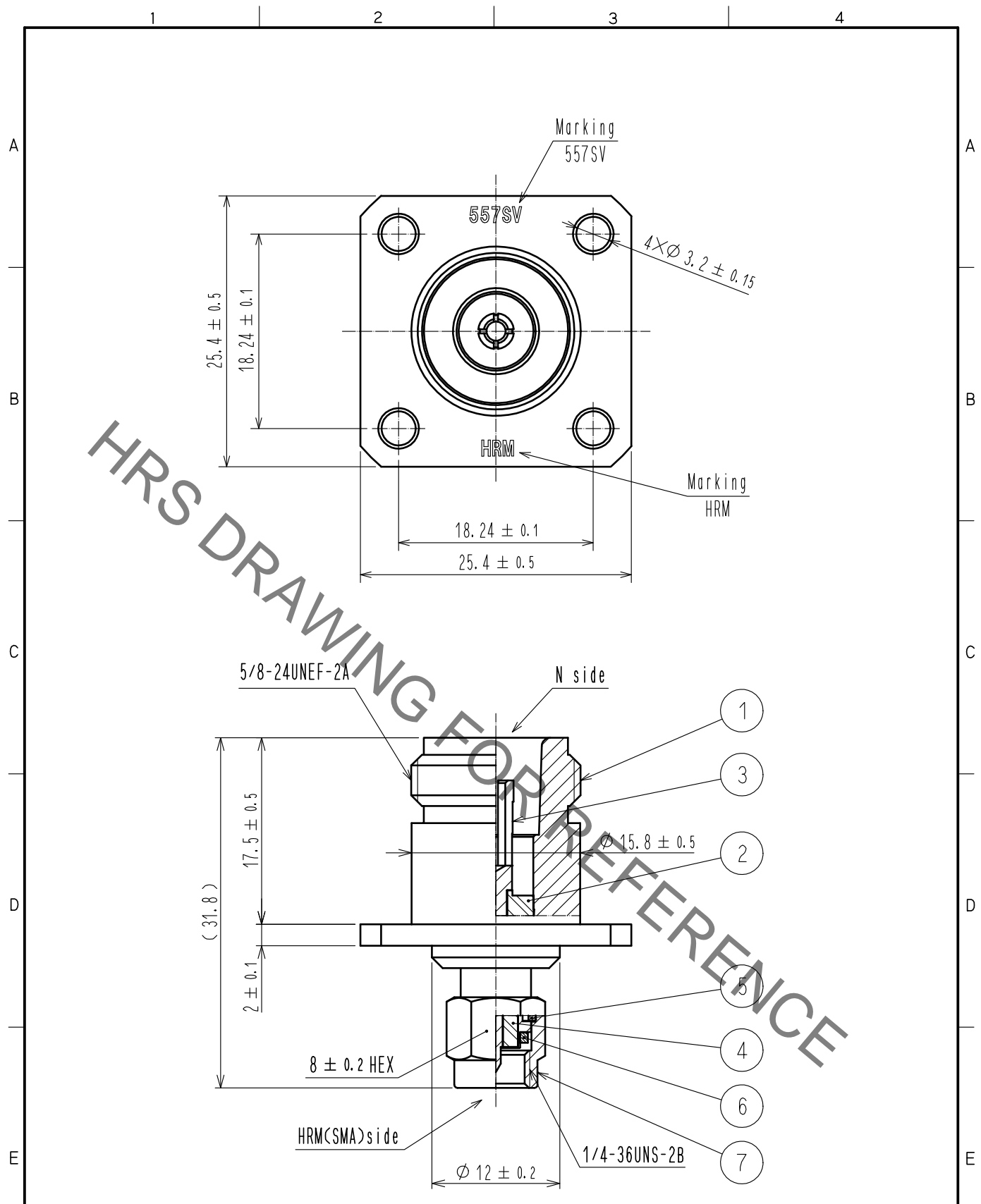


Apr.1.2022 Copyright 2022 HIROSE ELECTRIC CO., LTD. All Rights Reserved.
 In case of consideration for using Automotive equipment / device which demand high reliability, kindly contact our sales window correspondents.



4	PTFE			7	STAINLESS STEEL	PASIVATE	
3	BERYLLIUM COPPER	GOLD PLATING		6	SILICONE RUBBER		
2	PTFE			5	BERYLLIUM COPPER	NICKEL PLATING	
1	STAINLESS STEEL	PASIVATE					
NO.	MATERIAL	FINISH	REMARKS	NO.	MATERIAL	FINISH	REMARKS

UNITS mm		SCALE 2 : 1	COUNT 	DESCRIPTION OF REVISIONS	DESIGNED	CHECKED	DATE
HIROSE ELECTRIC CO., LTD.				APPROVED : NK. NINOMIYA 20211209 CHECKED : NK. NINOMIYA 20211209 DESIGNED : MT. KANEKO 20211209 DRAWN : YK. MITSUISHI 20211207	DRAWING NO. EDC-130271-00-00 PART NO. HRM-557SV CODE NO. CL0311-0272-9-00		