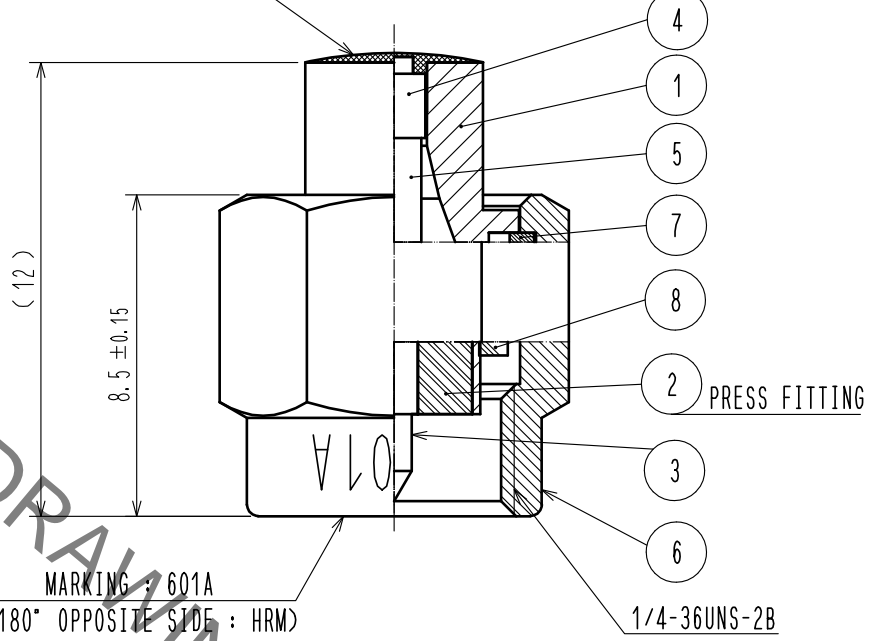


May.1.2019 Copyright 2019 HIROSE ELECTRIC CO., LTD. All Rights Reserved.
In case of consideration for using Automotive equipment / device which demand high reliability, kindly contact our sales window correspondents.

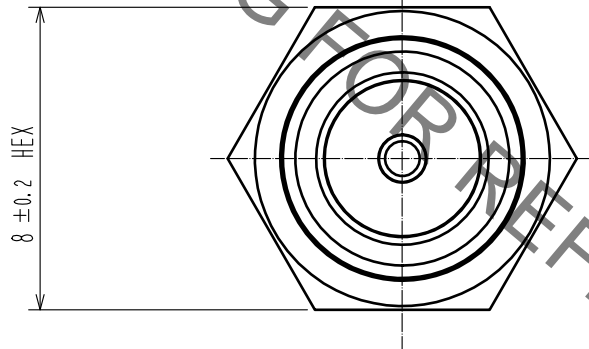
△ Redraw

1 SOLDERING



MARKING : 601A
(180° OPPOSITE SIDE : HRM)

1/4-36UNS-2B



NOTE 1 Lead-free solder of Sn3Ag0.5Cu is used.

ROHS COMPLIANT

4	BRASS	GOLD PLATING	8	SIRICONE RUBBER	(RED)
3	BRASS	GOLD PLATING	7	BERYLLIUM COPPER	NICKEL PLATING
2	PTFE		6	STAINLESS STEEL	PASSIVATED
1	STAINLESS STEEL	NICKEL PLATING	5	RESISTANCE	50Ω
NO.	MATERIAL	FINISH . REMARKS	NO.	MATERIAL	FINISH . REMARKS

UNITS mm		SCALE 5 : 1	COUNT 1	DESCRIPTION OF REVISIONS DIS-D-00000641	DESIGNED TO. KATAYAMA	CHECKED KY. SHIMIZU	DATE 15.11.02								
<table border="1"> <tr> <td>APPROVED : KY. SHIMIZU</td> <td>15.01.14</td> </tr> <tr> <td>CHECKED : TO. KATAYAMA</td> <td>15.01.14</td> </tr> <tr> <td>DESIGNED : YI. FUNADA</td> <td>15.01.14</td> </tr> <tr> <td>DRAWN : YI. FUNADA</td> <td>15.01.14</td> </tr> </table>				APPROVED : KY. SHIMIZU	15.01.14	CHECKED : TO. KATAYAMA	15.01.14	DESIGNED : YI. FUNADA	15.01.14	DRAWN : YI. FUNADA	15.01.14	DRAWING NO. EDC-030012-50-50 PART NO. HRM-601A(50) CODE NO. CL353-0017-3-50			
APPROVED : KY. SHIMIZU	15.01.14														
CHECKED : TO. KATAYAMA	15.01.14														
DESIGNED : YI. FUNADA	15.01.14														
DRAWN : YI. FUNADA	15.01.14														

HRS DRAWING TOP REFERENCE