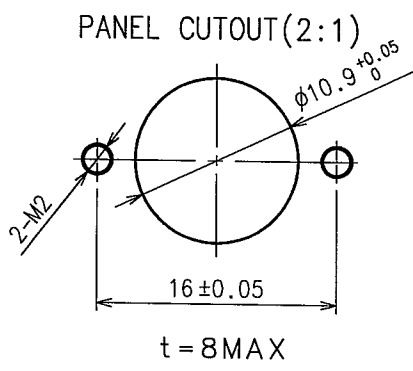
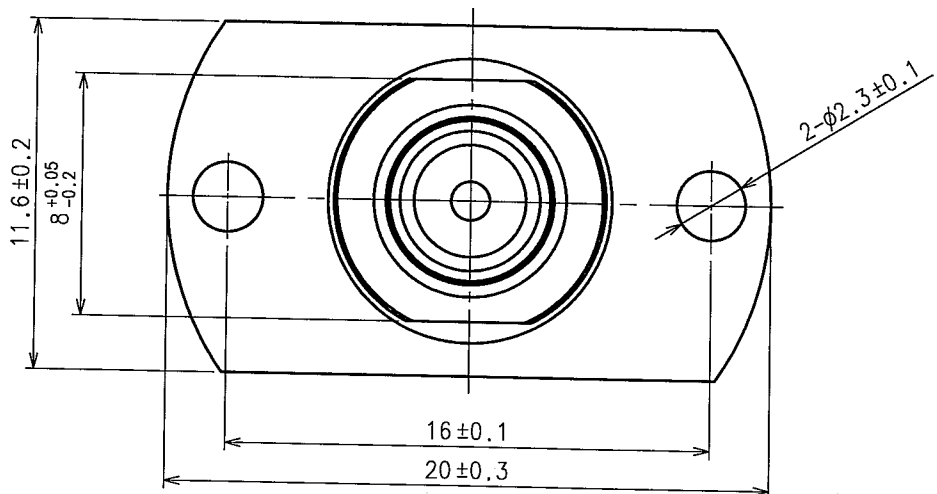
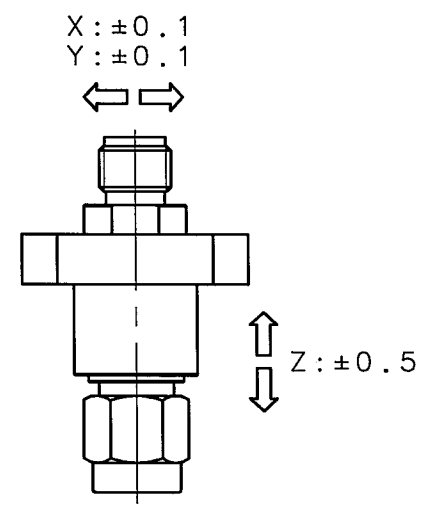


Jan.1.2022 Copyright 2022 HIROSE ELECTRIC CO., LTD. All Rights Reserved.
In case of consideration for using Automotive equipment / device which demand high reliability, kindly contact our sales window correspondents.

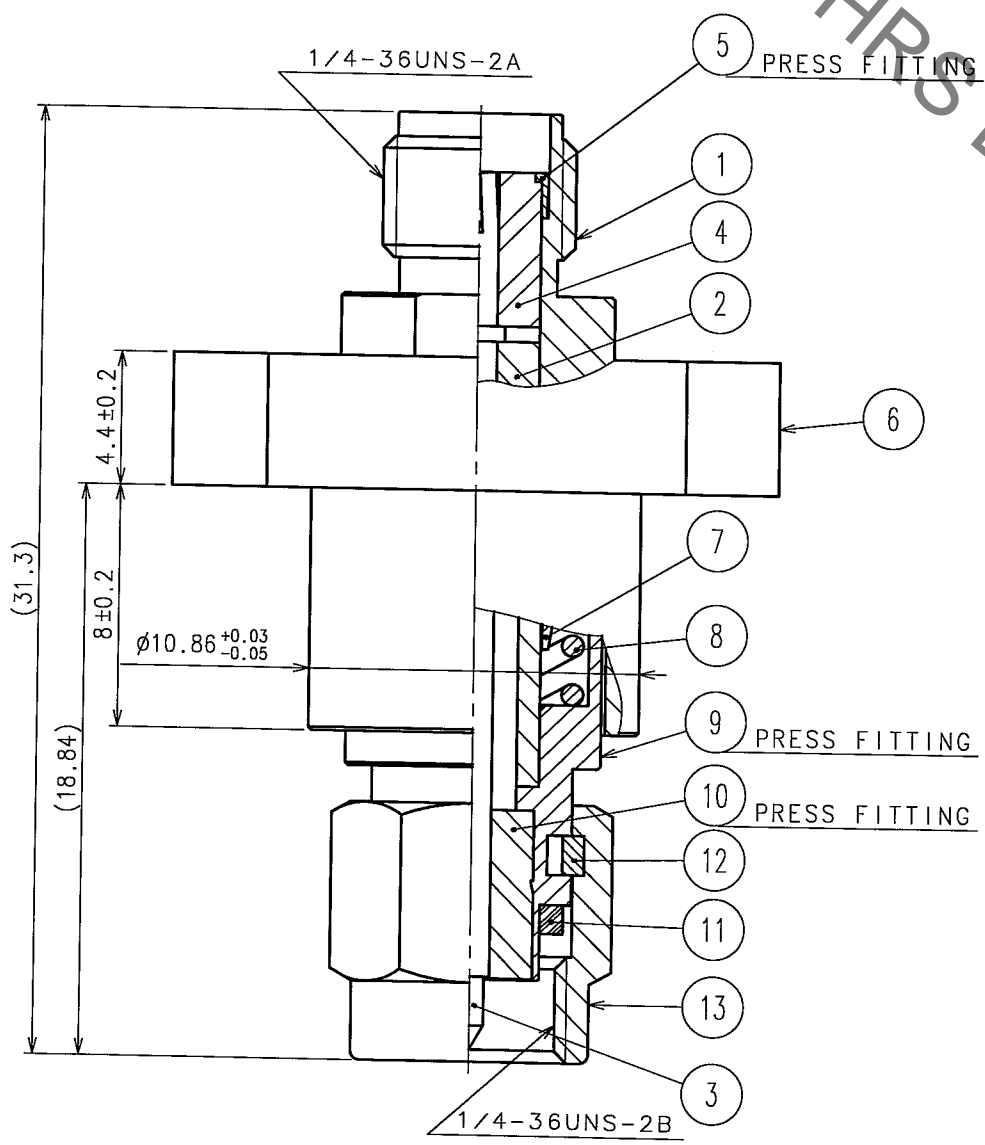
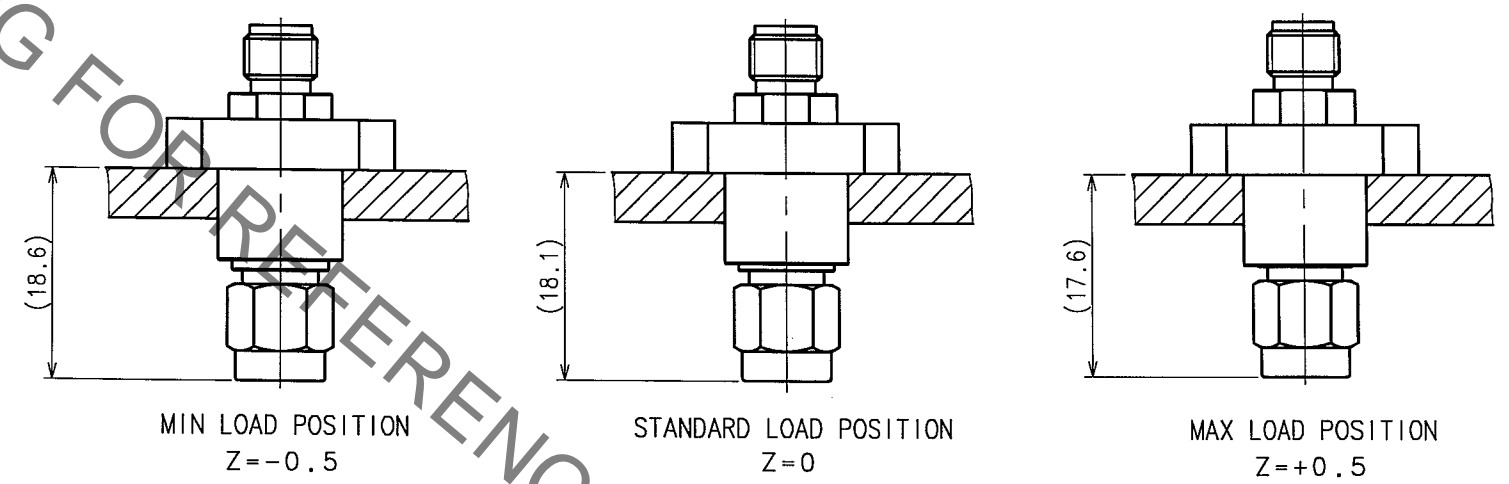


Note 1. The floating portion of HRM-PA-PJ(F)-1(40) shall not be used in wrenched conditions nor to be inserted at an angle.
2. Avoid using thick cables or stiff cables which will interfere with the floating function. The cable connection shall be connected properly not to stress and wrench the floating portion.

[FLOATING POSITION]



[USAGE FIGURE]



COUNT	DESCRIPTION OF REVISIONS	BY	CHKD	DATE	COUNT	DESCRIPTION OF REVISIONS	BY	CHKD	DATE

7	BRASS	NICKEL PLATING	13	STAINLESS STEEL	PASSIVATE
6	PHOSPHOR BRONZE	NICKEL PLATING	12	BERYLLIUM COPPER	NICKEL PLATING
5	STAINLESS STEEL	PASSIVATE	11	SILICONE RUBBER	
4	PTFE		10	PTFE	
3	BERYLLIUM COPPER	GOLD PLATING	9	PHOSPHOR BRONZE	NICKEL PLATING
2	PTFE		8	PIANO WIRE	NICKEL PLATING
1	PHOSPHOR BRONZE	NICKEL PLATING			
NO.	MATERIAL	FINISH, REMARKS	NO.	MATERIAL	FINISH, REMARKS

CODE NO. (OLD)		DRAWN	DESIGNED	CHECKED	APPROVED	RELEASED
RoHS COMPLIANT		<i>T. Ninomiya</i>	<i>T. Ninomiya</i>	<i>M. Yamane</i>	<i>I. Mitani</i>	
		05.05.14	05.05.14	05.05.14	05.05.14	
DRAWING NO.		PART NO.				
EDC3-305653-40		HRM-PA-PJ(F)-1(40)				
SCALE		CODE NO.				
4 : 1		CL323-0805-9-40				
UNITS		mm				

TO
RF