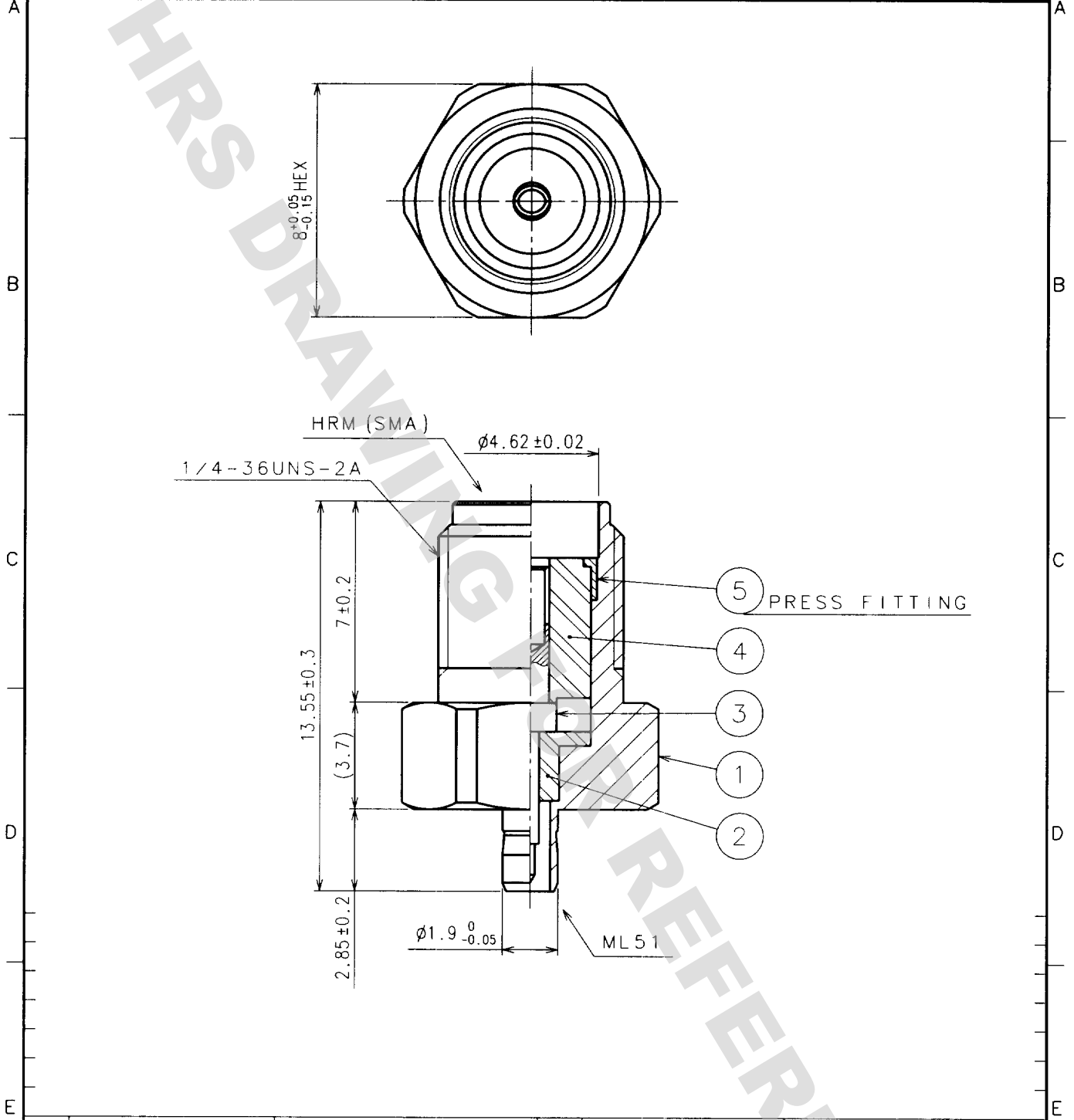


DRAWING FOR REFERENCE: This is subject to change without notice
08/11/2012

1		2			3			4		
COUNT	DESCRIPTION OF REVISIONS	BY	CHKD	DATE	COUNT	DESCRIPTION OF REVISIONS	BY	CHKD	DATE	
△					△					
△					△					
△					△					



3	BERYLLIUM COPPER	GOLD PLATING			
2	PTFE		5	STAINLESS STEEL	PASSIVATE
1	STAINLESS STEEL	NICKEL PLATING	4	PTFE	
NO.	MATERIAL	FINISH, REMARKS	NO.	MATERIAL	FINISH, REMARKS

CODE NO. (OLD) CL399-2837-5		DRAWN <i>J. Saito</i>	DESIGNED <i>J. Saito</i>	CHECKED <i>K. Shimizu</i>	APPROVED <i>J. Mitani</i>	RELEASED
		99.6.29	99.6.29	99.6.29	99.6.30	

 SCALE 5 : 1 UNITS mm	DRAWING NO. EDC4-134871	PART NO. HRM.J-ML51.J-A
	 HRS HIROSE ELECTRIC CO., LTD.	CODE NO. CL311-0316-2

TO
RF

1/1