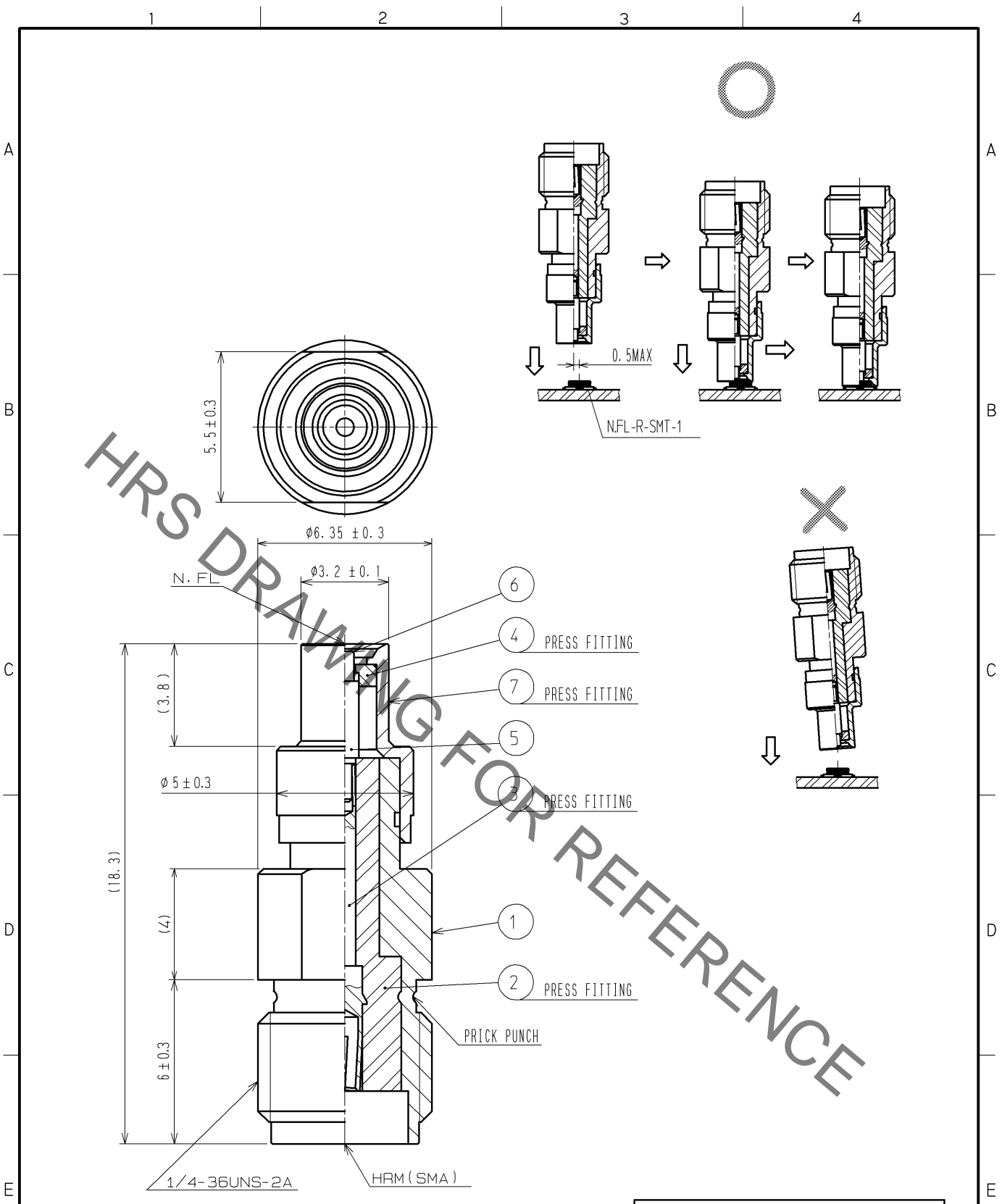


Jan.1.2022 Copyright 2022 HIROSE ELECTRIC CO., LTD. All Rights Reserved.
 In case of consideration for using Automotive equipment / device which demand high reliability, kindly contact our sales window correspondents.



HRS DRAWING FOR REFERENCE

RoHS COMPLIANT

4	PTFE			7	STAINLESS STEEL	GOLD PLATING
3	BERYLLIUM COPPER	GOLD PLATING		6	BERYLLIUM COPPER	GOLD PLATING(FREE CONTACT)
2	PTFE			5	BRASS	GOLD PLATING
1	BRASS	NICKEL PLATING				
NO.	MATERIAL	FINISH	REMARKS	NO.	MATERIAL	FINISH

UNITS mm		SCALE 5 : 1	COUNT 	DESCRIPTION OF REVISIONS	DESIGNED	CHECKED	DATE
HIROSE ELECTRIC CO., LTD.				APPROVED : MH. YAMANE	08.07.01	DRAWING NO. EDC4-313475-00	
				CHECKED : MH. TSUCHIDA	08.06.30	PART NO. HRMJ-N. FLP-ST5	
				DESIGNED : MY. KOJIMA	08.06.27	CODE NO. CL311-0423-2-00	
				DRAWN : MY. KOJIMA	08.06.27	1/1	