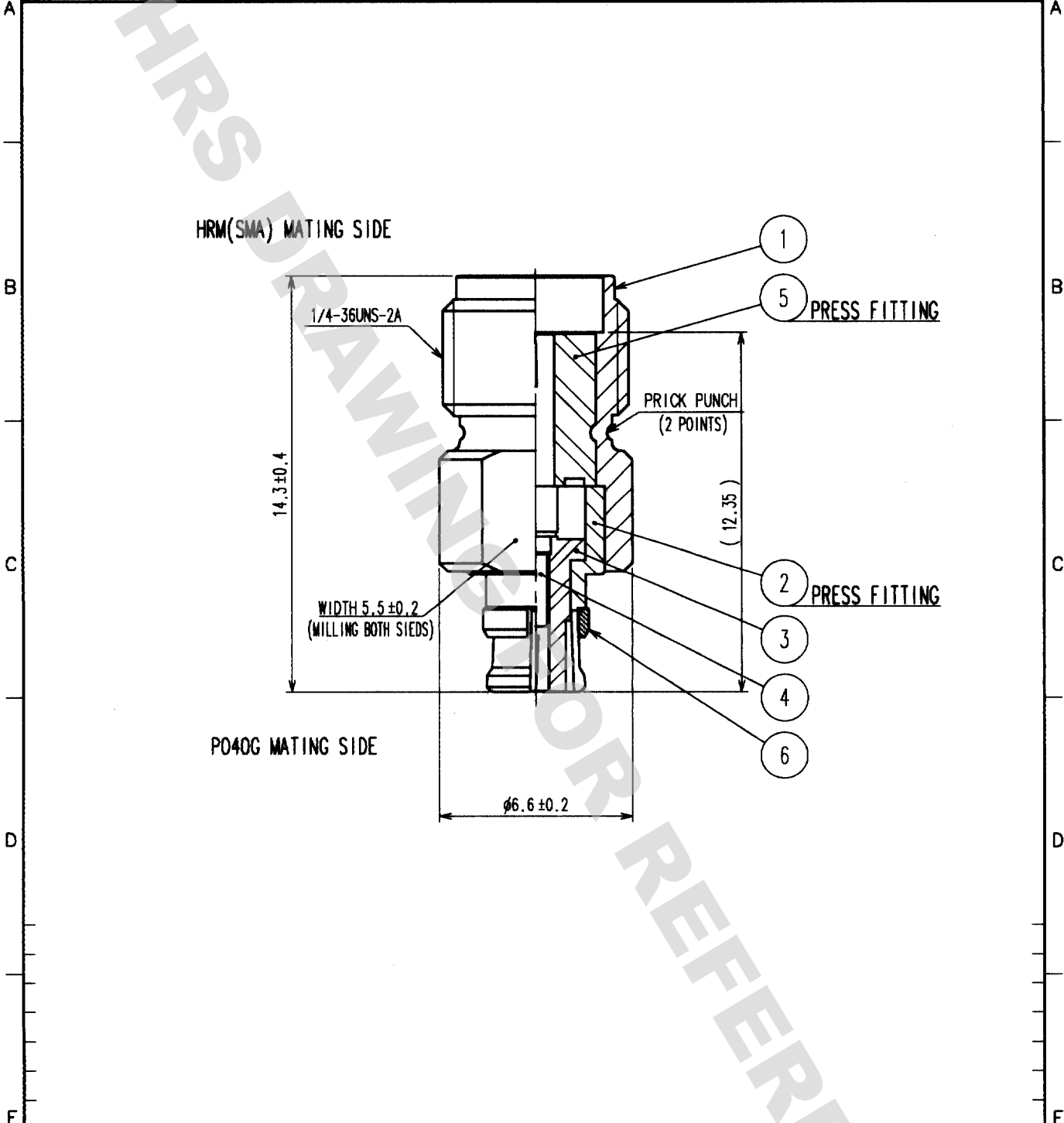


1	2			3			4		
COUNT	DESCRIPTION OF REVISIONS	BY	CHKD	DATE	COUNT	DESCRIPTION OF REVISIONS	BY	CHKD	DATE
△				..	△				..
△					△				..
△					△				..



3	PTFE		6	BERYLLIUM COPPER	GOLD PLATING
2	BERYLLIUM COPPER	GOLD PLATING	5	PTFE	
1	STAINLESS STEEL	GOLD PLATING	4	BERYLLIUM COPPER	GOLD PLATING
NO.	MATERIAL	FINISH, REMARKS	NO.	MATERIAL	FINISH, REMARKS

CODE NO. (OLD)	DRAWN	DESIGNED	CHECKED	APPROVED	RELEASED
CL	<i>K. Maki</i>	<i>K. Maki</i>	<i>J. Mitani</i>	<i>Kobayashi</i>	
	'03.2.3	'03.2.3	'08.2.12	'03.02.13	

SCALE	DRAWING NO.	PART NO.
5 : 1	EDC4-300383	HRMJ-PO40GJ-18G
UNITS	CODE NO.	
mm	CL311-0370-8	

DRAWING FOR REFERENCE: This is subject to change without notice 08/11/2012

TO
RF

RF