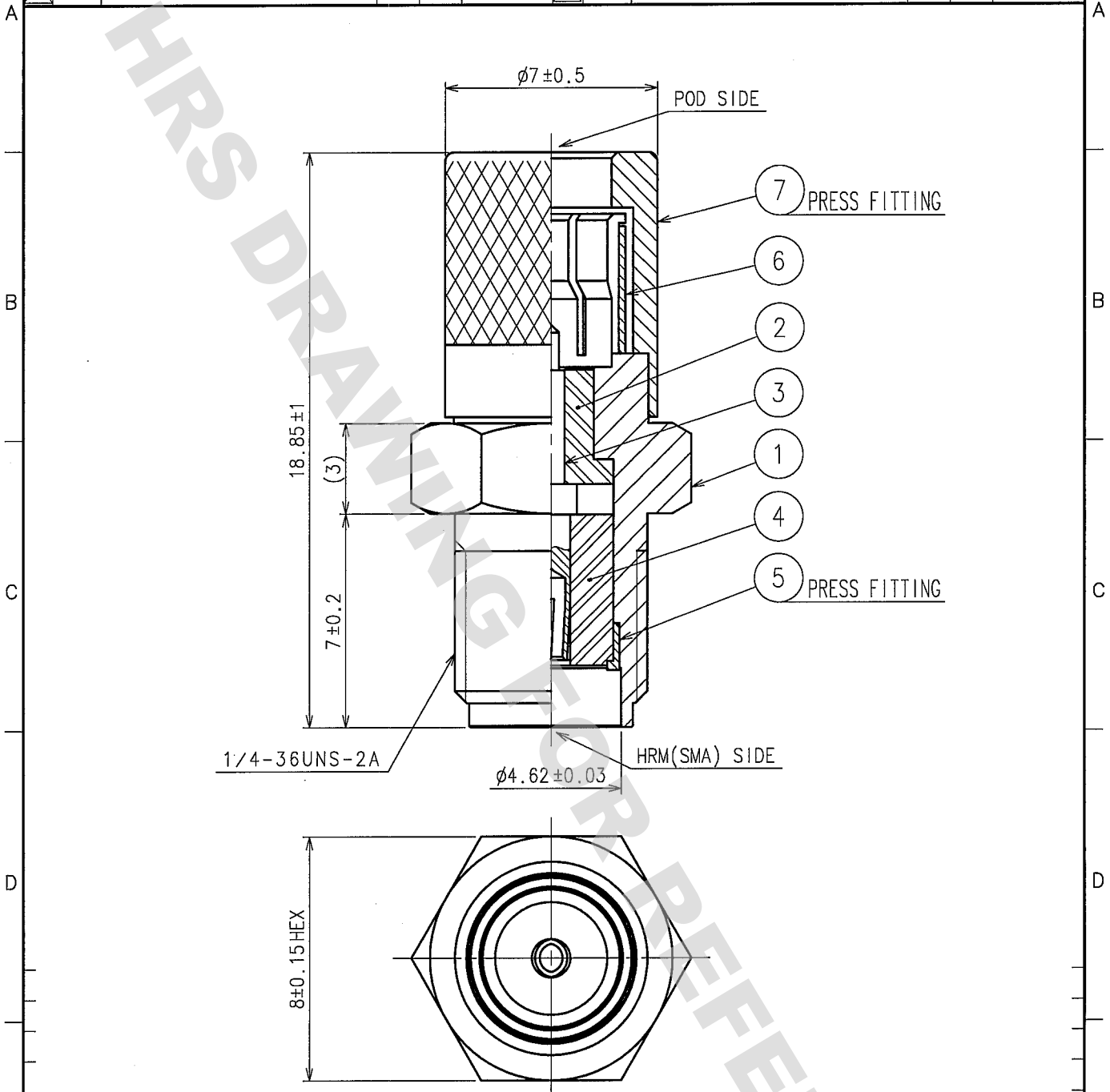


1	2		3		4				
COUNT	DESCRIPTION OF REVISIONS	BY	CHKD	DATE	COUNT	DESCRIPTION OF REVISIONS	BY	CHKD	DATE
△					△				
△					△				
△					△				



4	PTFE		7	BRASS	NICKEL PLATED
3	BERYLLIUM COPPER	GOLD PLATED	6	BERYLLIUM COPPER	NICKEL PLATED
2	PTFE		5	STAINLESS STEEL	PASSIVATE
1	STAINLESS STEEL	PASSIVATE			
NO.	MATERIAL	FINISH, REMARKS	NO.	MATERIAL	FINISH, REMARKS

CODE NO. (OLD) CL		DRAWN <i>M. Kaneko</i> 07.5.25	DESIGNED <i>M. Kaneko</i> 07.5.25	CHECKED <i>M. Yamane</i> 07.05.25	APPROVED <i>S. Mitani</i> 07.05.25	RELEASED
RoHS COMPLIANT		DRAWING NO. EDC4-008468-40		PART NO. HRMJ-PODP(40)		
SCALE 5 : 1		UNITS mm		CODE NO. CL311-0157-0-40		1/1
HRS		HIROSE ELECTRIC CO.,LTD.				

DRAWING FOR REFERENCE: This is subject to change without notice
08/11/2012

TO
RF