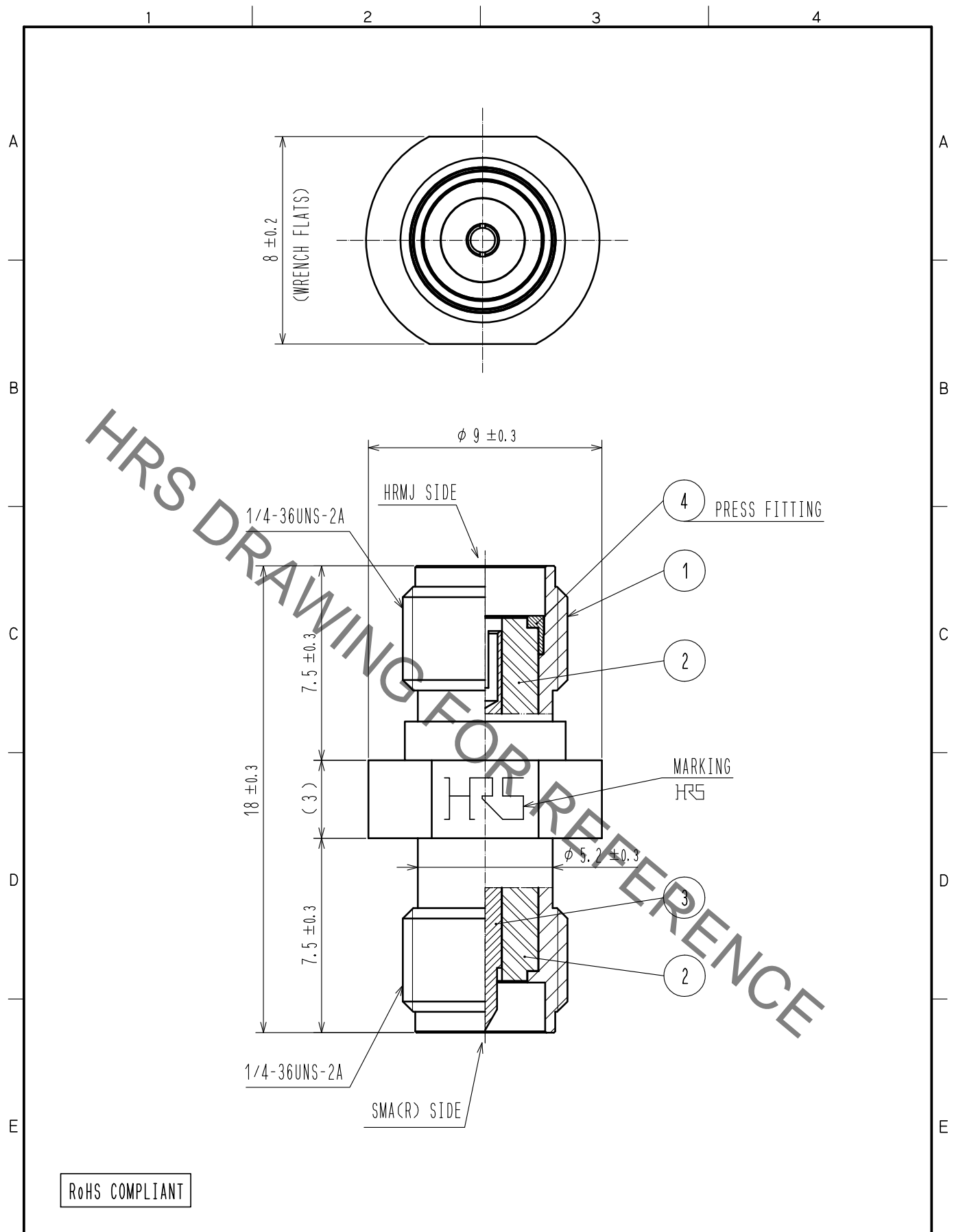


Jan.1.2022 Copyright 2022 HIROSE ELECTRIC CO., LTD. All Rights Reserved.
 In case of consideration for using Automotive equipment / device which demand high reliability, kindly contact our sales window correspondents.



RoHS COMPLIANT

| 2 | PTFE | | 4 | STAINLESS STEEL | PASSIVATED |
|---------------------------------|-----------------|------------------|----------|--------------------------|------------------|
| 1 | STAINLESS STEEL | PASSIVATED | 3 | BERYLLIUM COPPER | GOLD PLATING |
| NO. | MATERIAL | FINISH . REMARKS | NO. | MATERIAL | FINISH . REMARKS |
| UNITS mm | | SCALE 5 : 1 | COUNT | DESCRIPTION OF REVISIONS | DESIGNED |
| | | | | | CHECKED |
| | | | | | DATE |
| HIROSE ELECTRIC CO., LTD. | APPROVED | ·KY. SHIMIZU | 16.07.07 | DRAWING NO. | EDC-366796-00-00 |
| | CHECKED | ·KY. SHIMIZU | 16.07.07 | PART NO. | HRMJ-SMA(R)J |
| | DESIGNED | ·MH. OGUSU | 16.07.07 | CODE NO. | CL323-0011-0-00 |
| | DRAWN | ·MH. OGUSU | 16.07.07 | | |