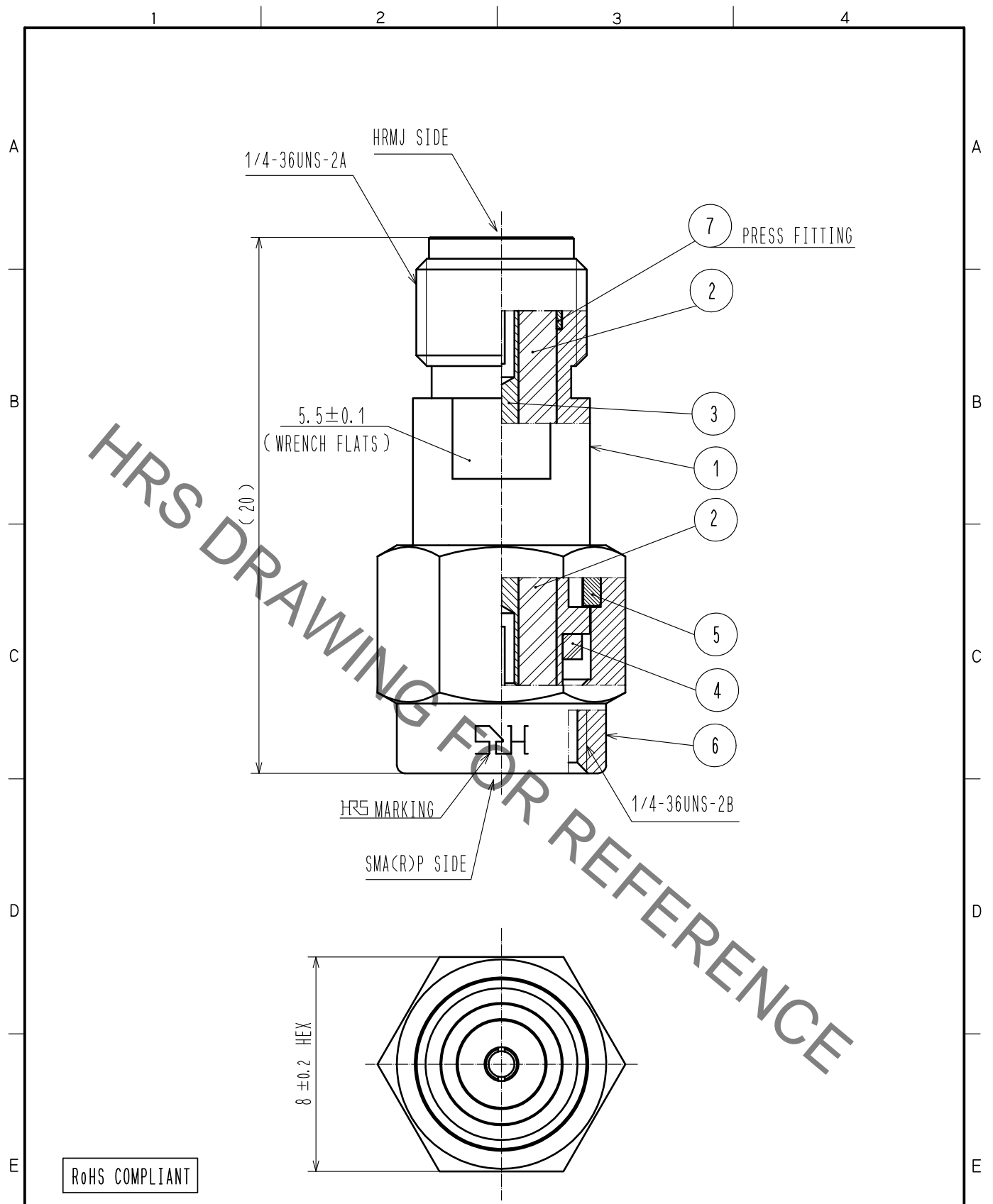


Jan.1.2022 Copyright 2022 HIROSE ELECTRIC CO., LTD. All Rights Reserved.
 In case of consideration for using Automotive equipment / device which demand high reliability, kindly contact our sales window correspondents.



4	SILICON RUBBER							
3	BERYLLIUM COPPER	GOLD PLATING		7	STAINLESS STEEL	PASSIVATED		
2	PTFE			6	STAINLESS STEEL	PASSIVATED		
1	STAINLESS STEEL	PASSIVATED		5	BERYLLIUM COPPER	NICKEL PLATING		
NO.	MATERIAL	FINISH	REMARKS	NO.	MATERIAL	FINISH	REMARKS	
UNITS mm		SCALE 5 : 1	COUNT 	DESCRIPTION OF REVISIONS		DESIGNED	CHECKED	DATE
HIROSE ELECTRIC CO., LTD.		APPROVED	·KY. SHIMIZU	16.07.08	DRAWING NO.	EDC-366797-00-00		
		CHECKED	·KY. SHIMIZU	16.07.08	PART NO.	HRMJ-SMACR>P		
		DESIGNED	·MH. OGUSU	16.07.08	CODE NO.	CL323-0035-0-00		
		DRAWN	·MH. OGUSU	16.07.08		1/1		