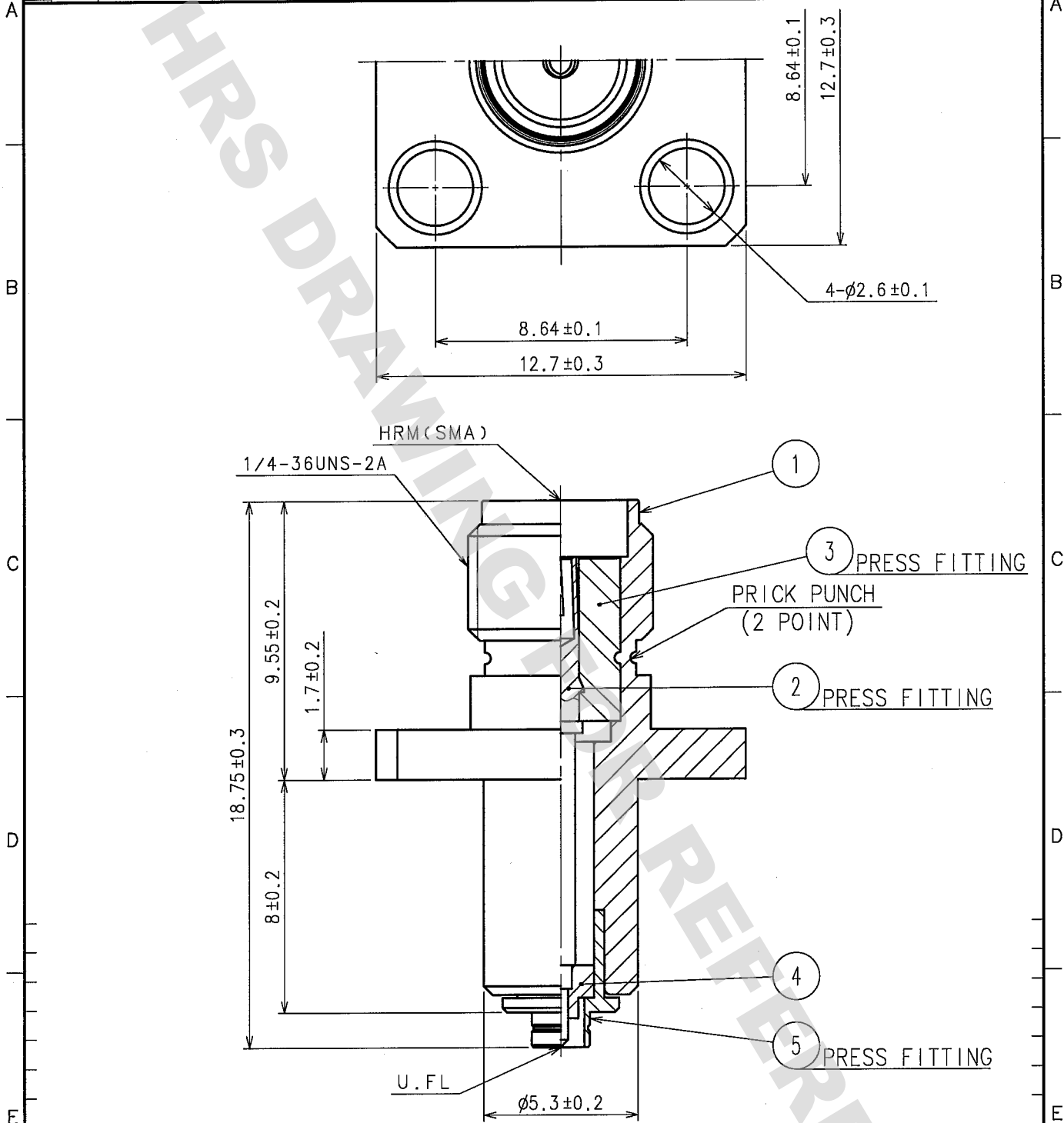


DRAWING FOR REFERENCE: This is subject to change without notice
08/11/2012

TO
RF

1		2			3			4		
COUNT	DESCRIPTION OF REVISIONS	BY	CHKD	DATE	COUNT	DESCRIPTION OF REVISIONS	BY	CHKD	DATE	
△					△					
△					△					
△					△					



3	PTFE			5	BRASS	NICKEL PLATING
2	BERYLLIUM COPPER	GOLD PLATING		4	PTFE	
1	BRASS	NICKEL PLATING				
NO.	MATERIAL	FINISH, REMARKS		NO.	MATERIAL	FINISH, REMARKS

CODE NO. (OLD)		DRAWN	DESIGNED	CHECKED	APPROVED	RELEASED
RoHS COMPLIANT		R.KIMURA	R.KIMURA	M. Yamane	J. Mitsuhashi	
		05.08.11	05.08.11	05.08.23	05.08.26	

SCALE 5 : 1	DRAWING NO.	PART NO.	1 1
	EDC4-300041-40	HRMJ-U.FLJ-PA-1(40)	
UNITS mm	HRS HIROSE ELECTRIC CO.,LTD.	CODE NO.	
		CL311-0364-5-40	