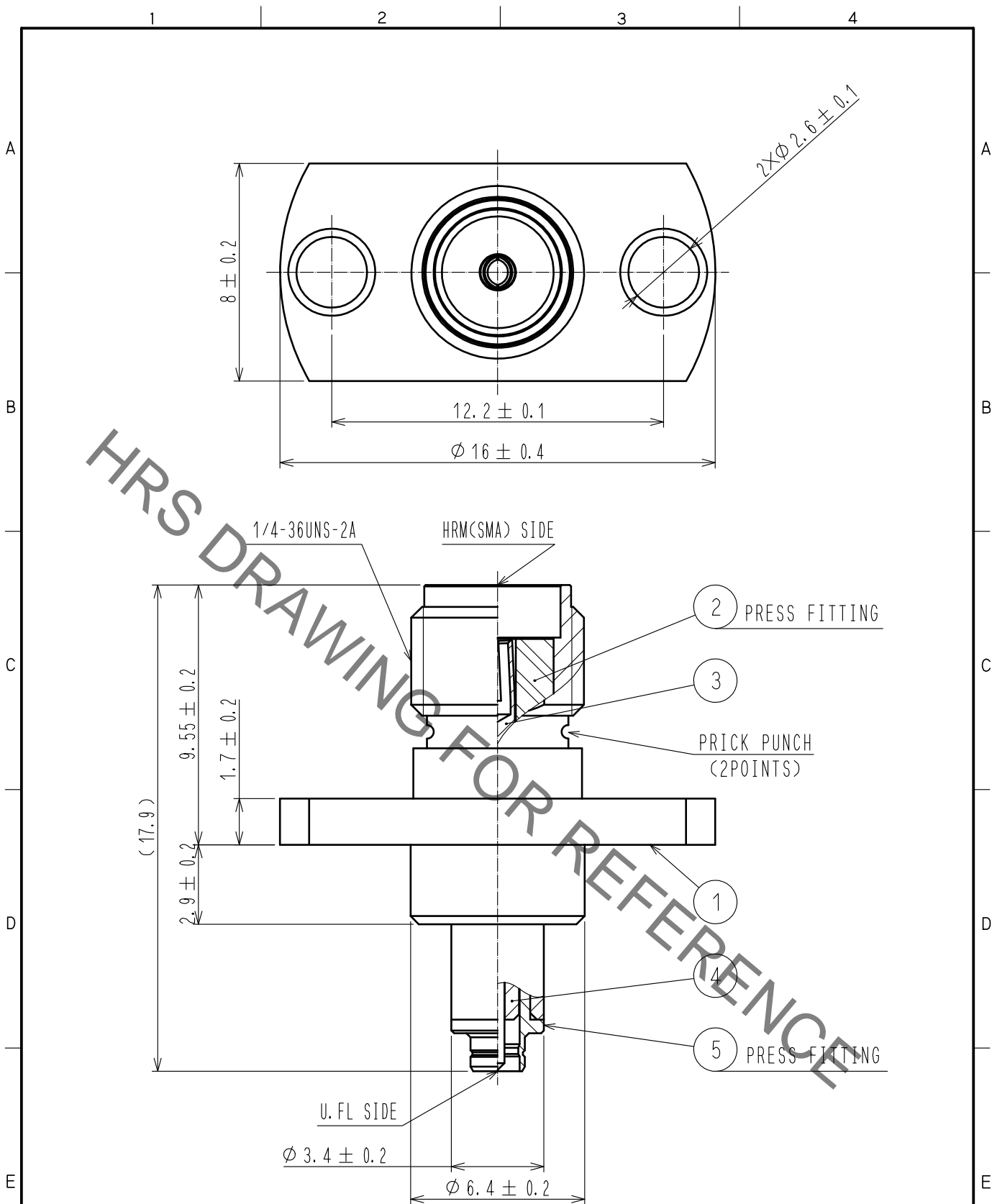


Jan.1.2022 Copyright 2022 HIROSE ELECTRIC CO., LTD. All Rights Reserved.
In case of consideration for using Automotive equipment / device which demand high reliability, kindly contact our sales window correspondents.



RoHS COMPLIANT

3	BERYLLIUM COPPER	GOLD PLATING			
2	PTFE		5	BRASS	NICKEL PLATING
1	BRASS	NICKEL PLATING	4	PTFE	
NO.	MATERIAL	FINISH . REMARKS	NO.	MATERIAL	FINISH . REMARKS

UNITS mm		SCALE 5 : 1	COUNT 	DESCRIPTION OF REVISIONS	DESIGNED	CHECKED	DATE
HRS HIROSE ELECTRIC CO., LTD.		APPROVED : KY. SHIMIZU	16.08.23	DRAWING NO.	EDC-349749-00-00		
		CHECKED : TO. KATAYAMA	16.08.23	PART NO.	HRMJ-U. FLJ-PA2		
		DESIGNED : RO. YOKOYAMA	16.08.22	CODE NO.	CL311-0467-8-00		
		DRAWN : RO. YOKOYAMA	16.08.22		1/1		