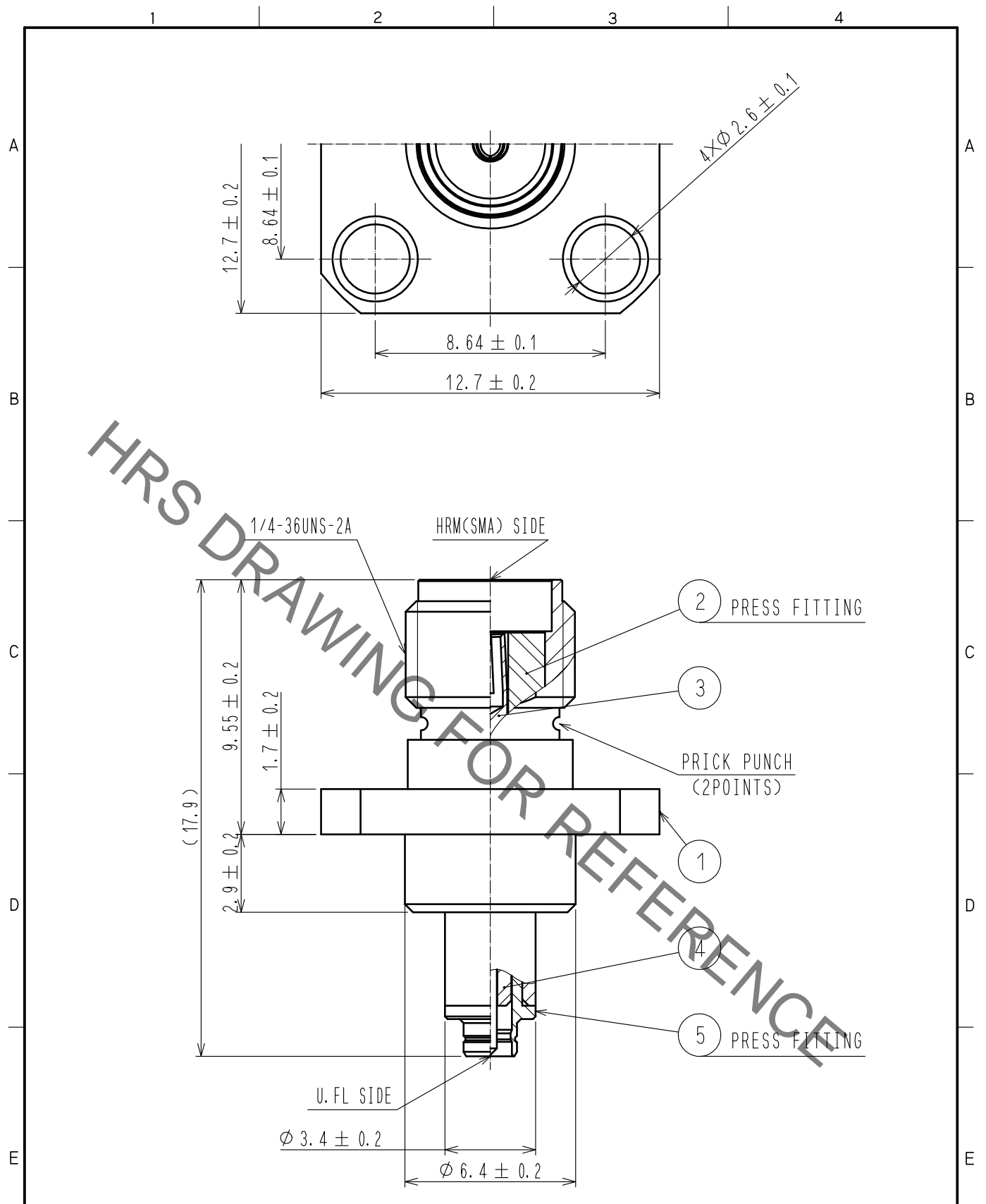


Jan.1.2022 Copyright 2022 HIROSE ELECTRIC CO., LTD. All Rights Reserved.
In case of consideration for using Automotive equipment / device which demand high reliability, kindly contact our sales window correspondents.



RoHS COMPLIANT

3	BERYLLIUM COPPER	GOLD PLATING						
2	PTFE			5	BRASS	NICKEL PLATING		
1	BRASS	NICKEL PLATING		4	PTFE			
NO.	MATERIAL	FINISH .	REMARKS	NO.	MATERIAL	FINISH .	REMARKS	
UNITS mm		SCALE 5 : 1	COUNT 	DESCRIPTION OF REVISIONS		DESIGNED	CHECKED	DATE
HIROSE ELECTRIC CO., LTD.		APPROVED : KY. SHIMIZU		16.08.23	DRAWING NO. EDC-349747-00-00			
		CHECKED : TO. KATAYAMA		16.08.23	PART NO. HRMJ-U. FLJ-PA4			
		DESIGNED : RO. YOKOYAMA		16.08.22	CODE NO. CL311-0465-2-00			
		DRAWN : RO. YOKOYAMA		16.08.22	1/1			