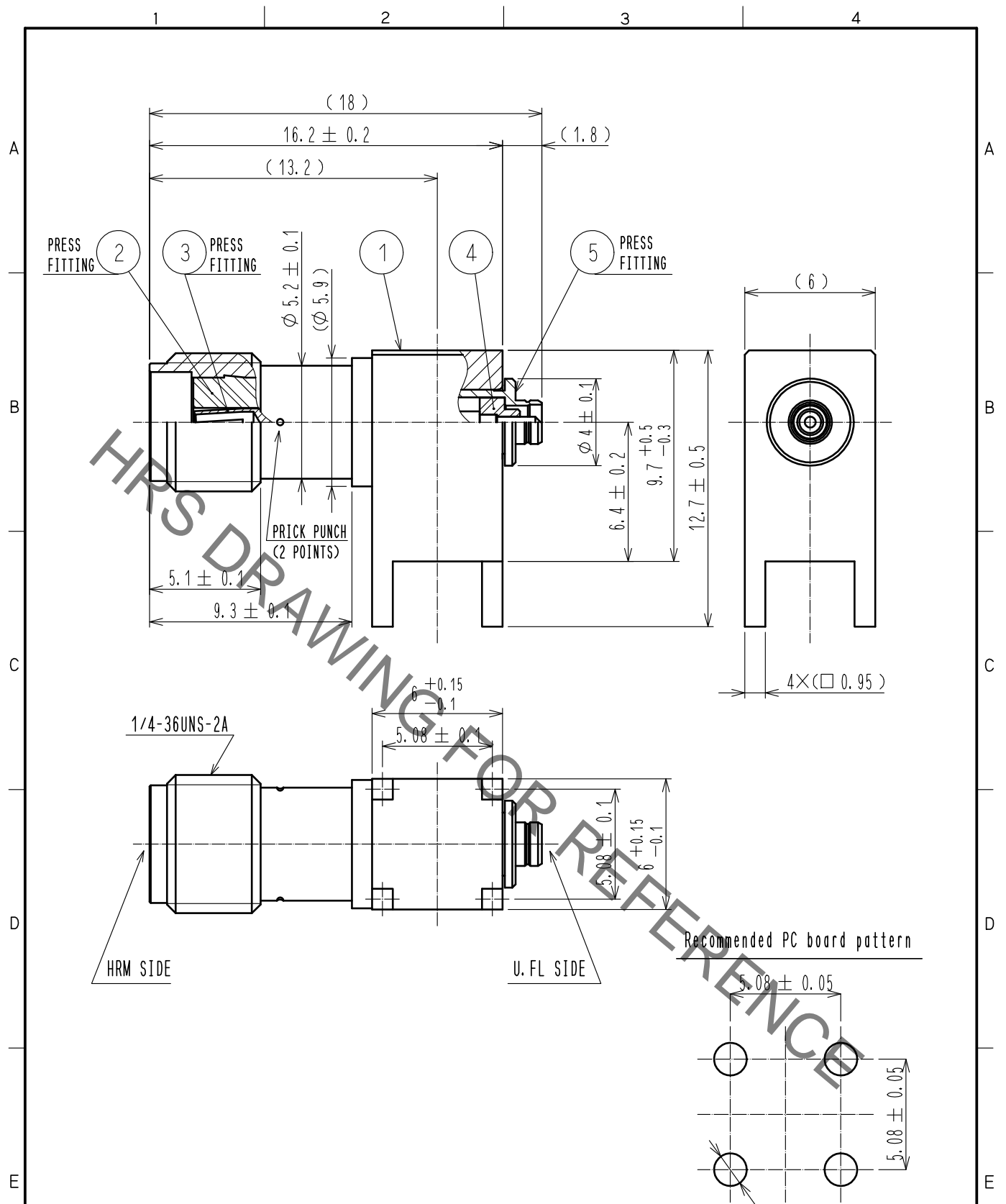


Nov.1.2019 Copyright 2019 HIROSE ELECTRIC CO., LTD. All Rights Reserved.  
 In case of consideration for using Automotive equipment / device which demand high reliability, kindly contact our sales window correspondents.



RoHS COMPLIANT

3	BERYLLIUM COPPER	GOLD PLATING					
2	PTFE		5	BRASS	NICKEL PLATING		
1	BRASS	NICKEL PLATING	4	PTFE			
NO.	MATERIAL	FINISH .	REMARKS	NO.	MATERIAL	FINISH .	REMARKS

UNITS mm		SCALE 4 : 1	COUNT 	DESCRIPTION OF REVISIONS	DESIGNED	CHECKED	DATE
-------------	--	----------------	-----------	--------------------------	----------	---------	------

<b>HRS</b> HIROSE ELECTRIC CO., LTD.	APPROVED : TO. KATAYAMA	17. 05. 29	DRAWING NO.	EDC-317236-00-00
	CHECKED : TO. KATAYAMA	17. 05. 29	PART NO.	HRMJ-U. FLJ-PC-1
	DESIGNED : YI. FUNADA	17. 05. 29	CODE NO.	CL311-0432-3-00
	DRAWN : YI. FUNADA	17. 05. 29		