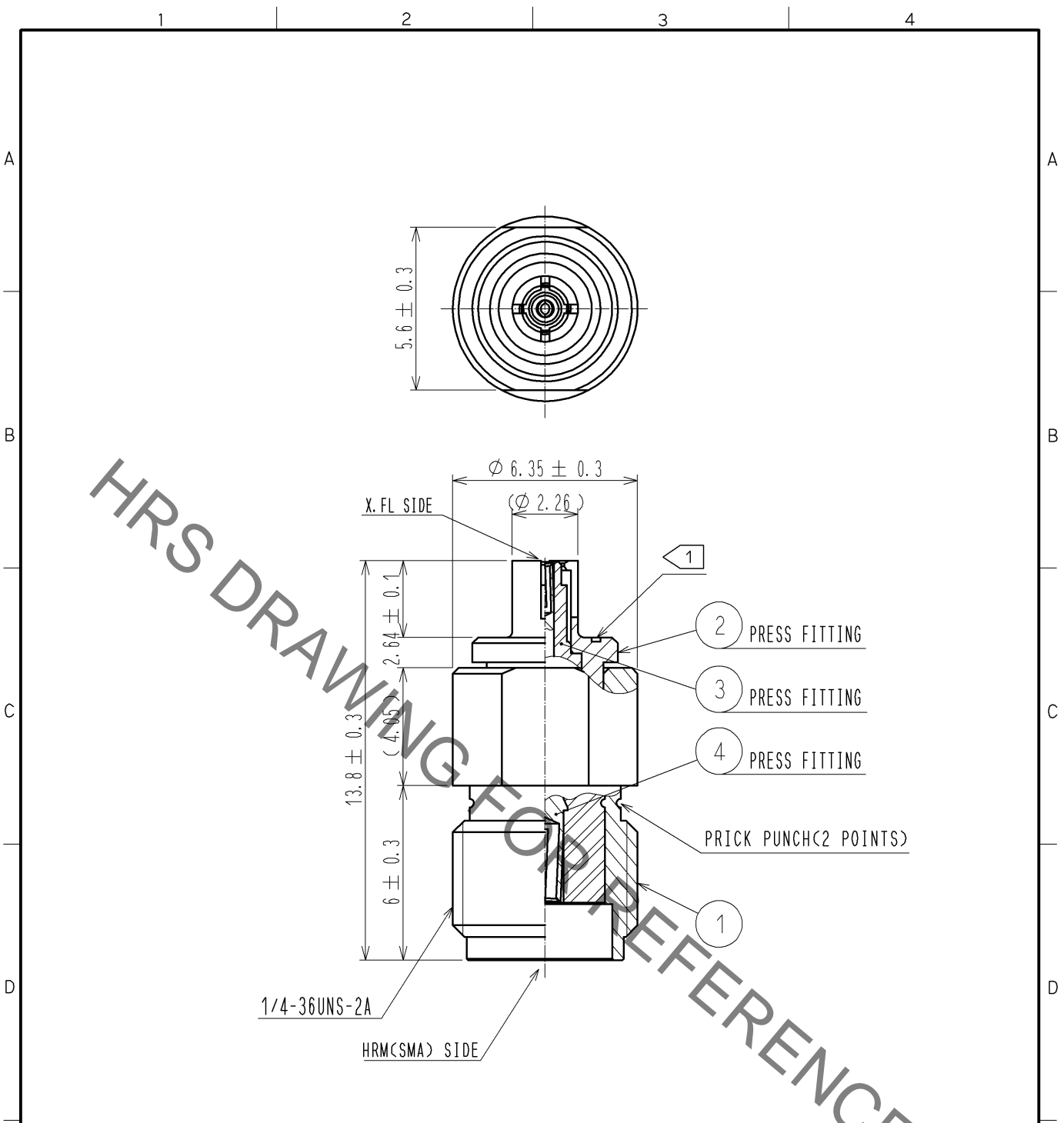


Jan.1.2022 Copyright 2022 HIROSE ELECTRIC CO., LTD. All Rights Reserved.
 In case of consideration for using Automotive equipment / device which demand high reliability, kindly contact our sales window correspondents.



HRS DRAWING FOR REFERENCE

NOTE. Use only for electrical measurement because of locking device in mating portion on X. FL SIDE is designed weaker than ordinary products.

① It is slot for discriminating from HRMJ-W.FLP(40).

2	BERYLLIUM COPPER	NICKEL PLATING	4	BERYLLIUM COPPER	GOLD PLATING			
1	BRASS	NICKEL PLATING	3	PTFE				
NO.	MATERIAL	FINISH . REMARKS	NO.	MATERIAL	FINISH . REMARKS			
UNITS mm		SCALE 5 : 1		COUNT	DESCRIPTION OF REVISIONS	DESIGNED	CHECKED	DATE
HIROSE ELECTRIC CO., LTD.		APPROVED : MH. YAMANE	12. 10. 10	DRAWING NO. EDC4-319145-00				
		CHECKED : NK. NINOMIYA	12. 10. 10	PART NO. HRMJ-X. FLP				
		DESIGNED : YI. FUNADA	12. 10. 05	CODE NO. CL311-0436-4-00				
		DRAWN : YI. FUNADA	12. 10. 05			1/1		