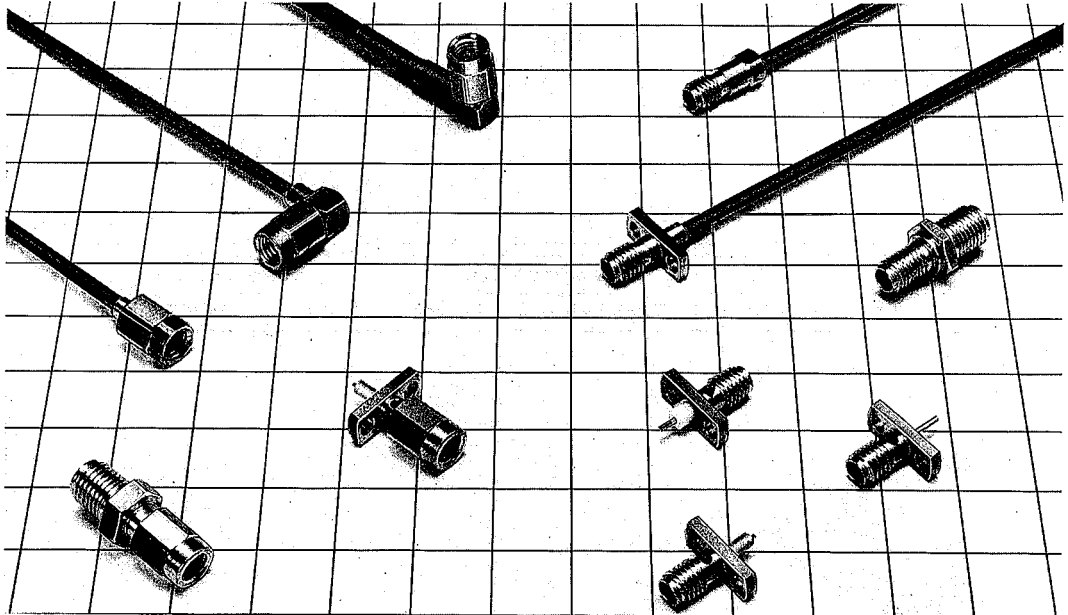


# HRMM SERIES RF CO-AXIAL CONNECTORS

## SSMA Connector HRMM Series

### General

The HRMM series consists of SSMA connectors specified for MIL and IEC. Reduced in size to about 80% that of the HRM (SMA) microwave connectors, the HRMM series connectors are suitable for high-density packaging required for miniaturizing devices.



### Features

- (1) Highly matching  
 Has excellent high-frequency performance up to 12.4 GHz as shown in the Table below. A model for flexible cables, however, has 1.2 or less V,S,W,R, for DC, 1 GHz.
- (2) Compact  
 Reduced in size to about 80% of the HRM (SMA) connectors, the HRMM series are compatible with high-density packaging to meet miniaturization requirements.

### Applications

For the internal wiring of wire and wireless communication equipment, radar, and electronic measuring instruments.

### Material/Finish

Part No.	Material	Finish
Shell	Stainless steel	Gold-plated
Insulator	Tetrafluoride resin	
Male terminal	Brass	Gold-plated
Female terminal	Beryllium copper	Gold-plated
Coupling	Stainless steel	Gold-plated
Rubber packing	Silicon rubber	
Crimp sleeve	Copper	Nickel-plated
Heat-shrinkable tubing	Polyolefin	

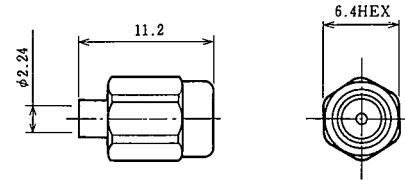
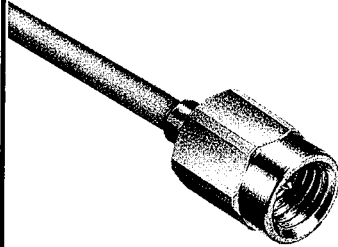
### Performance

Item	Standard
Contact resistance	4m or less at both center and periphery at 1ADC
Insulation resistance	1000M or more at 500 VDC
Withstanding voltage	500VAC r.m.s. for 1 min.
Characteristic impedance	50Ω
V.S.W.R.	<ul style="list-style-type: none"> <li>• Connector for semi-rigid cables                      DC~12.4GHz 1.07+0.01f(f:GHz) Straight plug jack                      1.10+0.02f(f:GHz) L-shaped plug</li> <li>• Connector for flexible cables,                      DC~1GHz : 1.2 or less</li> <li>• Receptacle,                      DC~12.4 GHz : 1.2 or less</li> </ul>

## Product guide

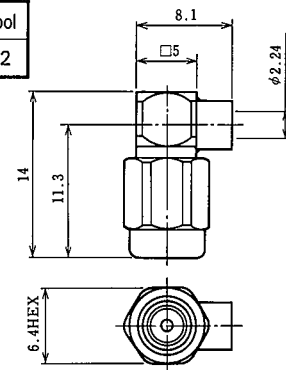
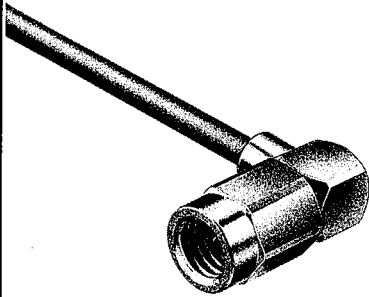
### Connector for semi-rigid cables

HRS No.	Part No.	Applicable cable	Applicable connecting tool	
CL333-0029-8	HRMM-101	0.085-inch semi-rigid cable	HRMM-T-2	POD-T-2



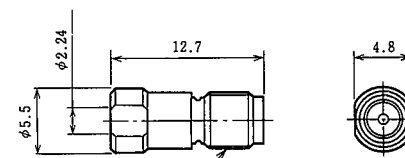
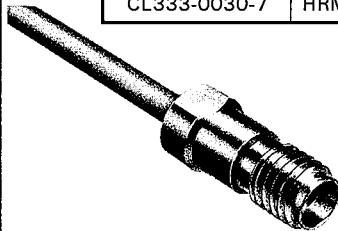
Straight plug

HRS No.	Part No.	Applicable cable	Applicable connecting tool	
CL333-0031-0	HRMM-104	0.085-inch semi-rigid cable	HRMM-T-2	PO6-T-2



L-shaped plug

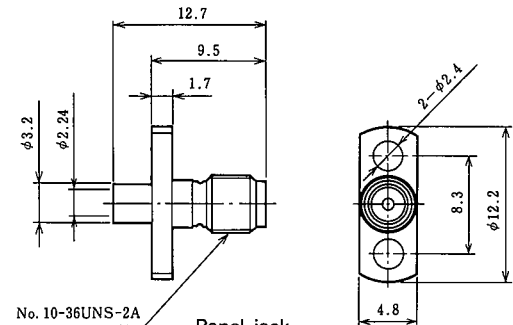
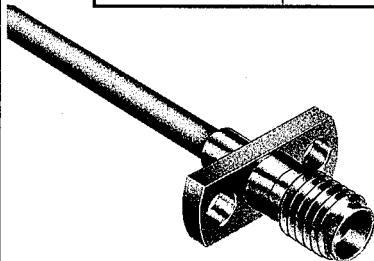
HRS No.	Part No.	Applicable cable	Applicable connecting tool	
CL333-0030-7	HRMM-102-1	0.085-inch semi-rigid cable	HRMM-T-1	POD-T-2



No. 10-36UNS-2A

Straight jack

HRS No.	Part No.	Applicable cable	Applicable connecting tool	
CL333-0008-8	HRMM-113-1	0.085-inch semi-rigid cable	HRMM-T-1	POD-T-2

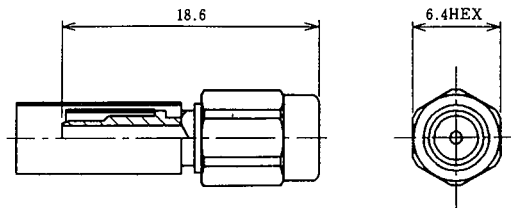
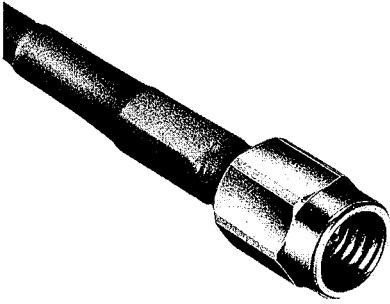


No. 10-36UNS-2A

Panel jack

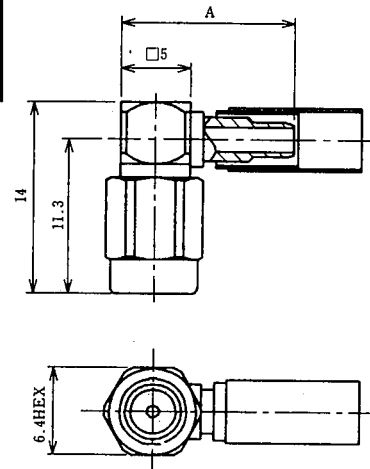
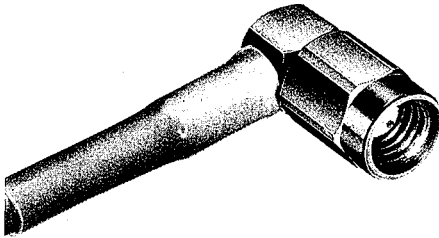
## Connectors for flexible cables

HRS No.	Part No.	Applicable cable	Applicable connecting tool	
CL333-0009-0	HRMM-200-2-C	1.5D-2V	HRMM-T-2	UM.MSS-T-1( $\phi$ 1.5)



Straight plug

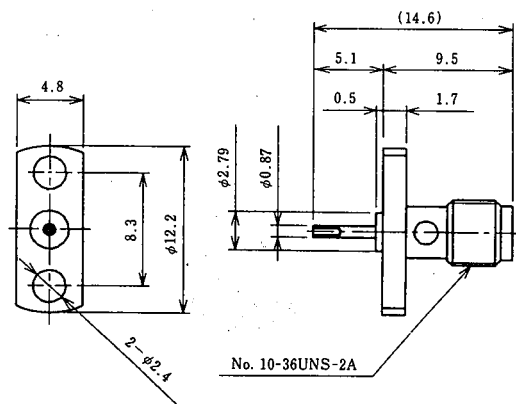
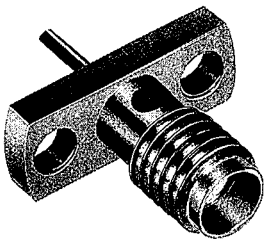
HRS No.	Part No.	Applicable cable	A Dimension	Applicable connecting tool	
CL333-0010-0	HRMM-208-1	1.5D-2V	12.7	UM.MSS-T-1( $\phi$ 1.5)	PO6-T-2
CL333-0022-9	HRMM-208-2	RG-196A/U	12.2	PO6-T-1	PO6-T-2



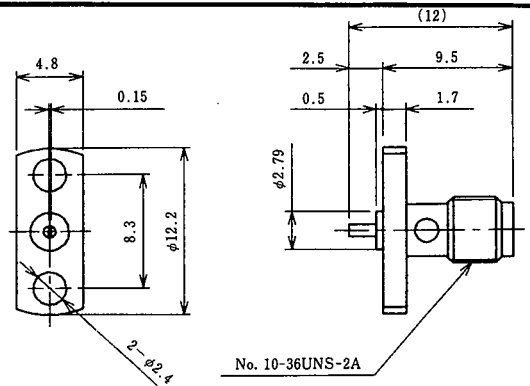
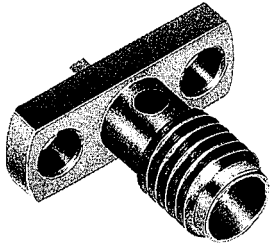
L-Shaped plug

## Receptacles

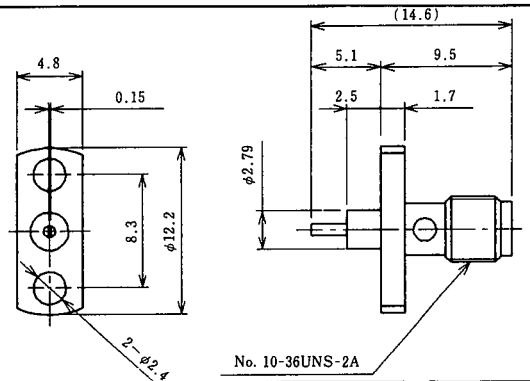
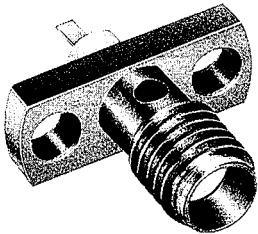
HRS No.	Part No.	Terminal Shape
CL333-0015-3	HRMM-300-5E	Solder Terminal



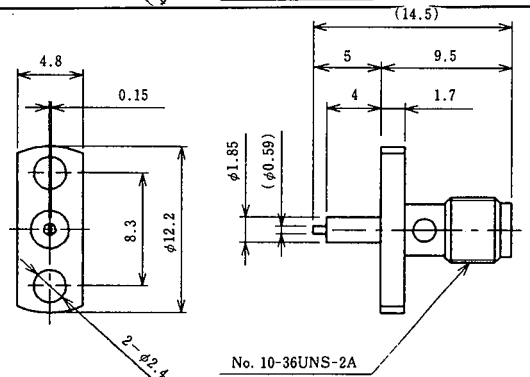
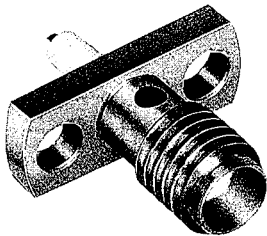
HRS No.	Part No.	Terminal Shape
CL333-0016-6	HRMM-300-6E	Tab Terminal



HRS No.	Part No.	Terminal Shape
CL333-0017-9	HRMM-300-7E	Tab Terminal



HRS No.	Part No.	Terminal Shape
CL333-0023-1	HRMM-300-11E	Tab Terminal



## Plug-Receptacles

HRS No.	Part No.	Terminal Shape
CL333-0026-0	HRMM-400-11E	Solder Terminal

