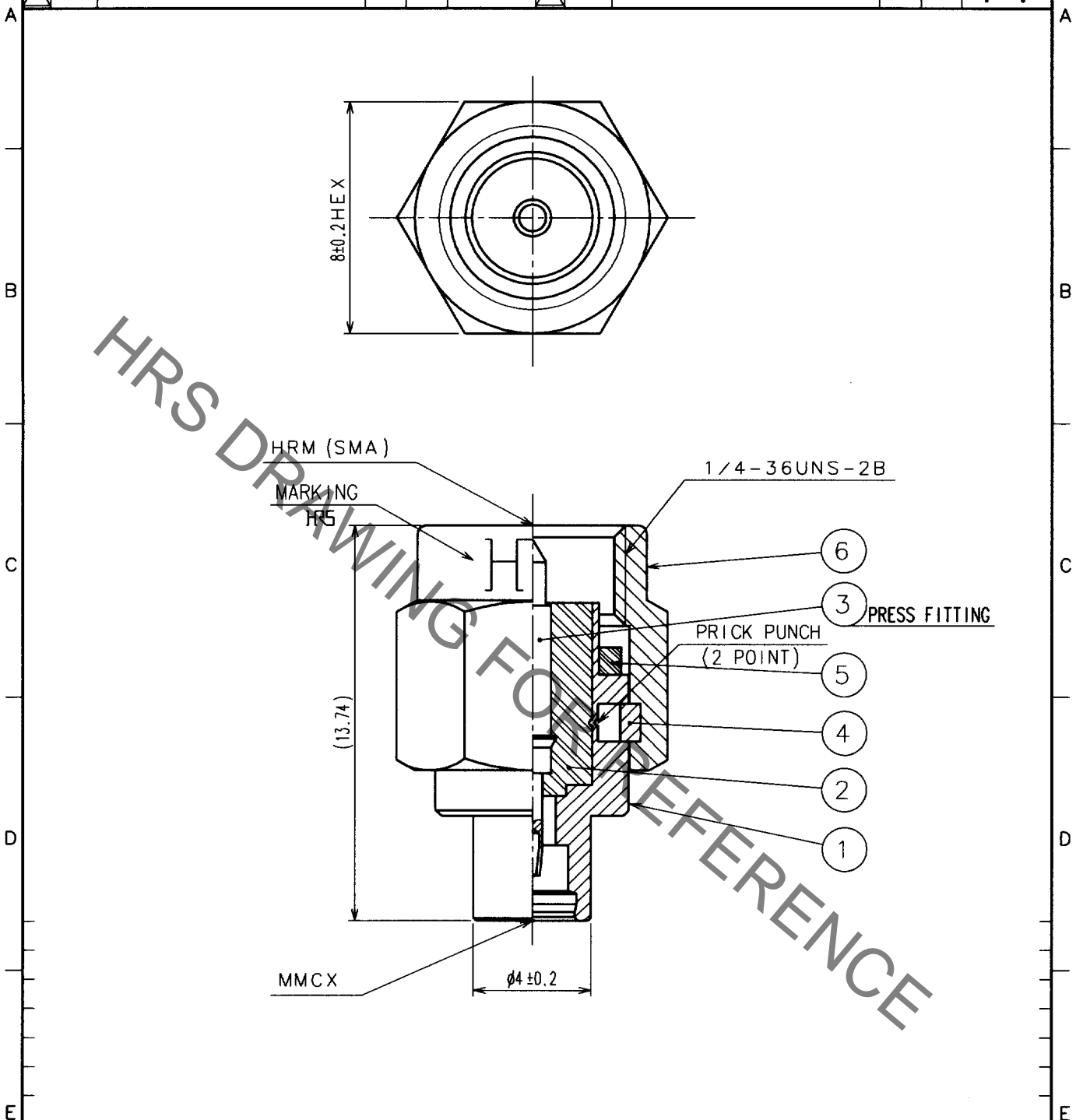


Jan.1.2022 Copyright 2022 HIROSE ELECTRIC CO., LTD. All Rights Reserved.
In case of consideration for using Automotive equipment / device which demand high reliability, kindly contact our sales window correspondents.

1			2			3			4					
COUNT	DESCRIPTION OF REVISIONS	BY	CHKD	DATE	COUNT	DESCRIPTION OF REVISIONS	BY	CHKD	DATE	COUNT	DESCRIPTION OF REVISIONS	BY	CHKD	DATE
△					△					△				
△					△					△				
△					△					△				



3	BERYLLIUM COPPER	GOLD PLATING	6	STAINLESS STEEL	GOLD PLATING
2	PTFE		5	SILICONE RUBBER	(RED)
1	STAINLESS STEEL	GOLD PLATING	4	STAINLESS STEEL	NICKEL PLATING
NO.	MATERIAL	FINISH, REMARKS	NO.	MATERIAL	FINISH, REMARKS

CODE NO. (OLD) CL396-2589-6		DRAWN <i>N. Ninomiya</i> 01.5.9	DESIGNED <i>N. Ninomiya</i> 01.5.9	CHECKED <i>J. Mitani</i> 01.5.9	APPROVED <i>Kobayashi</i> 01.05.09	RELEASED
--------------------------------	--	---------------------------------------	--	---------------------------------------	--	----------

 SACLE 5 : 1 UNITS mm	DRAWING NO. EDC4-134343	PART NO. HRMP-MMCXJ
	 HIROSE ELECTRIC CO.,LTD.	CODE NO. CL311-0312-1

TO
RF

1
1