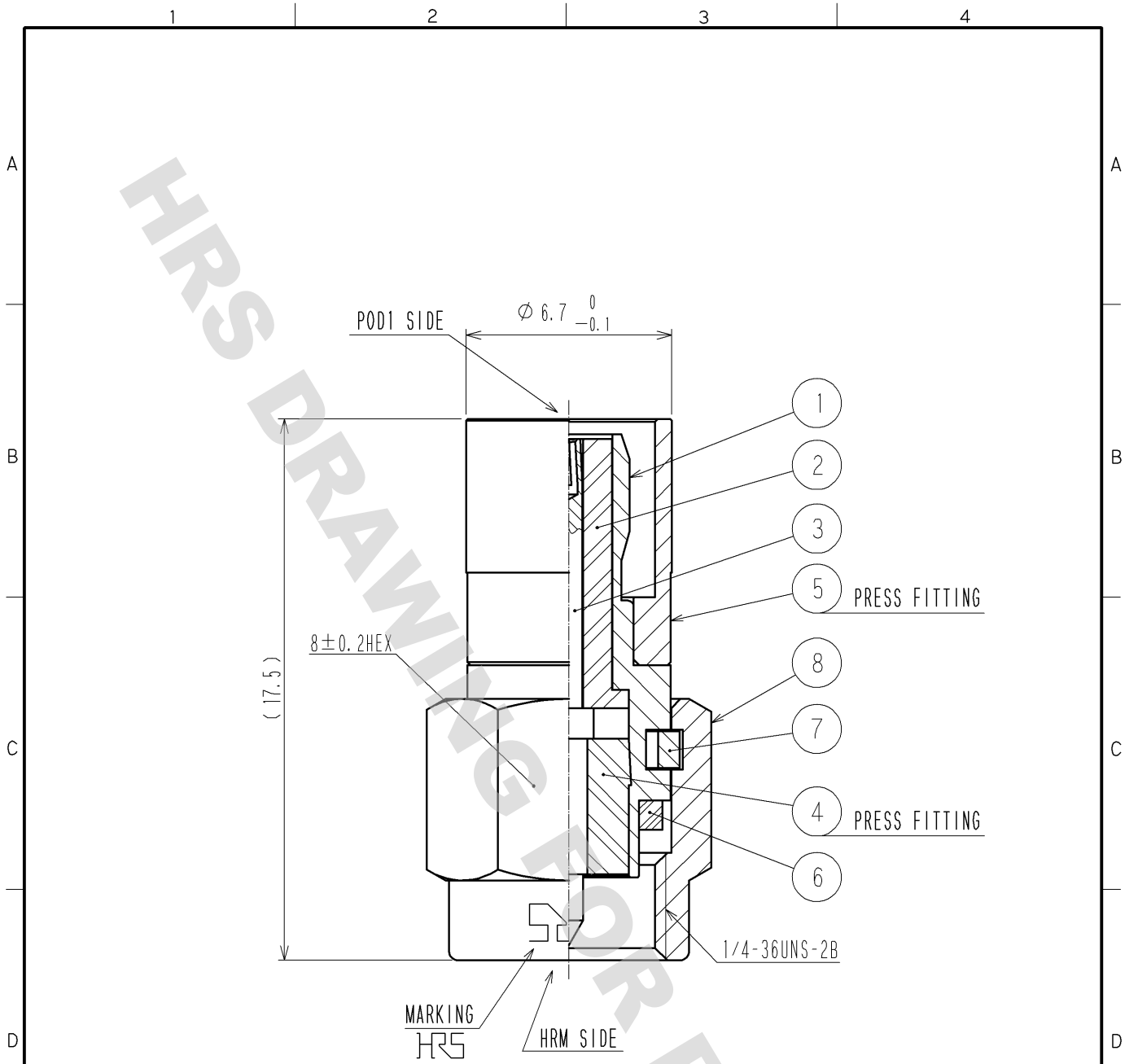


DRAWING FOR REFERENCE: This is subject to change without notice
08/11/2012



NOTE. RoHS COMPLIANT.

4	PTFE		8	STAINLESS STEEL	PASSIVATE
3	BERYLLIUM COPPER	GOLD PLATING	7	BERYLLIUM COPPER	NICKEL PLATING
2	PTFE		6	SILICONE RUBBER	
1	BRASS	NICKEL PLATING	5	BRASS	NICKEL PLATING
NO.	MATERIAL	FINISH . REMARKS	NO.	MATERIAL	FINISH . REMARKS

UNITS mm	SCALE 5 : 1	COUNT	DESCRIPTION OF REVISIONS	DESIGNED	CHECKED	DATE
HRS HIROSE ELECTRIC CO., LTD.			APPROVED : IJ. MITANI 07.06.19 CHECKED : KY. SHIMIZU 07.06.19 DESIGNED : TS. KANEKO 07.06.18 DRAWN : TS. KANEKO 07.06.18	DRAWING NO. EDC4-048627-40 PART NO. HRMP-POD1J(40) CODE NO. CL311-0253-4-40	1/1	