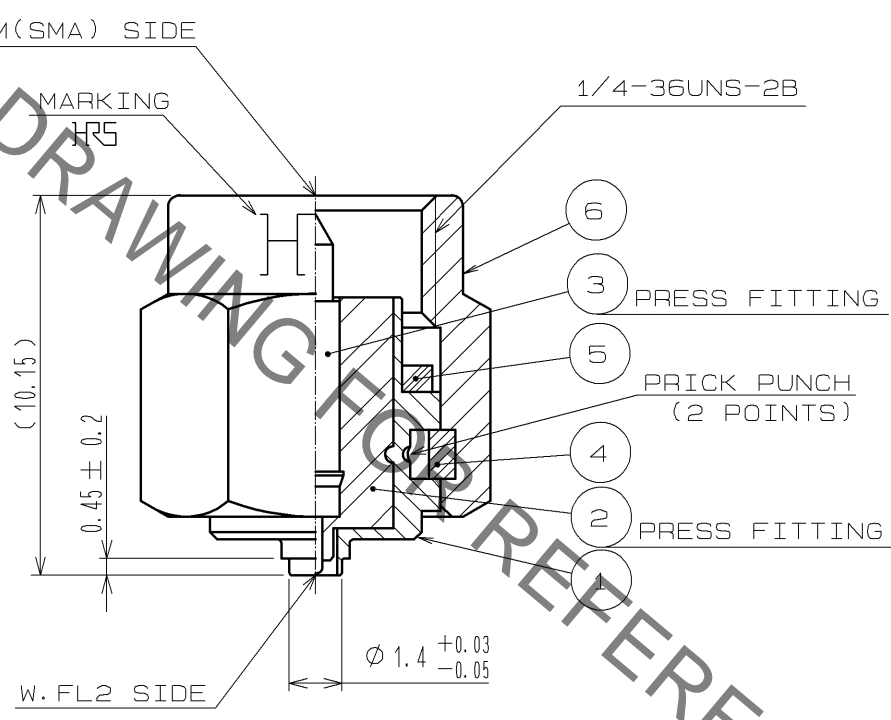
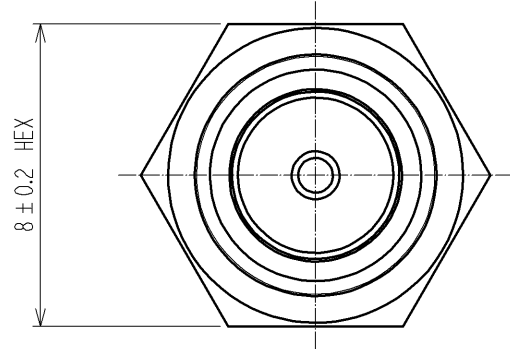


Jan.1.2022 Copyright 2022 HIROSE ELECTRIC CO., LTD. All Rights Reserved.
 In case of consideration for using Automotive equipment / device which demand high reliability, kindly contact our sales window correspondents.

1 2 3 4

A B C D E F



NOTE. USE ONLY FOR ELECTRICAL MEASUREMENT
 BECAUSE OF NO LOCKING DEVICE IN MATING
 PORTION ON W. FL2 SIDE.

RoHS COMPLIANT

3	PHOSPHOR BRONZE	GOLD PLATING	6	STAINLESS STEEL	PASSIVATE
2	PTFE		5	SILICONE RUBBER	(RED)
1	STAINLESS STEEL	NICKEL PLATING	4	BERYLLIUM COPPER	NICKEL PLATING
NO.	MATERIAL	FINISH . REMARKS	NO.	MATERIAL	FINISH . REMARKS

UNITS mm		SCALE 5 : 1	COUNT 	DESCRIPTION OF REVISIONS	DESIGNED	CHECKED	DATE
-------------	--	----------------	-----------	--------------------------	----------	---------	------

HIROSE ELECTRIC CO., LTD.	APPROVED : MH. YAMANE	09. 02. 18	DRAWING NO.	EDC4-305238-00
	CHECKED : NK. NINOMIYA	09. 02. 17	PART NO.	HRMP-W. FL2J
	DESIGNED : TM. YOSHIDA	09. 02. 17	CODE NO.	CL311-0394-6-00
	DRAWN : TM. YOSHIDA	09. 02. 17		