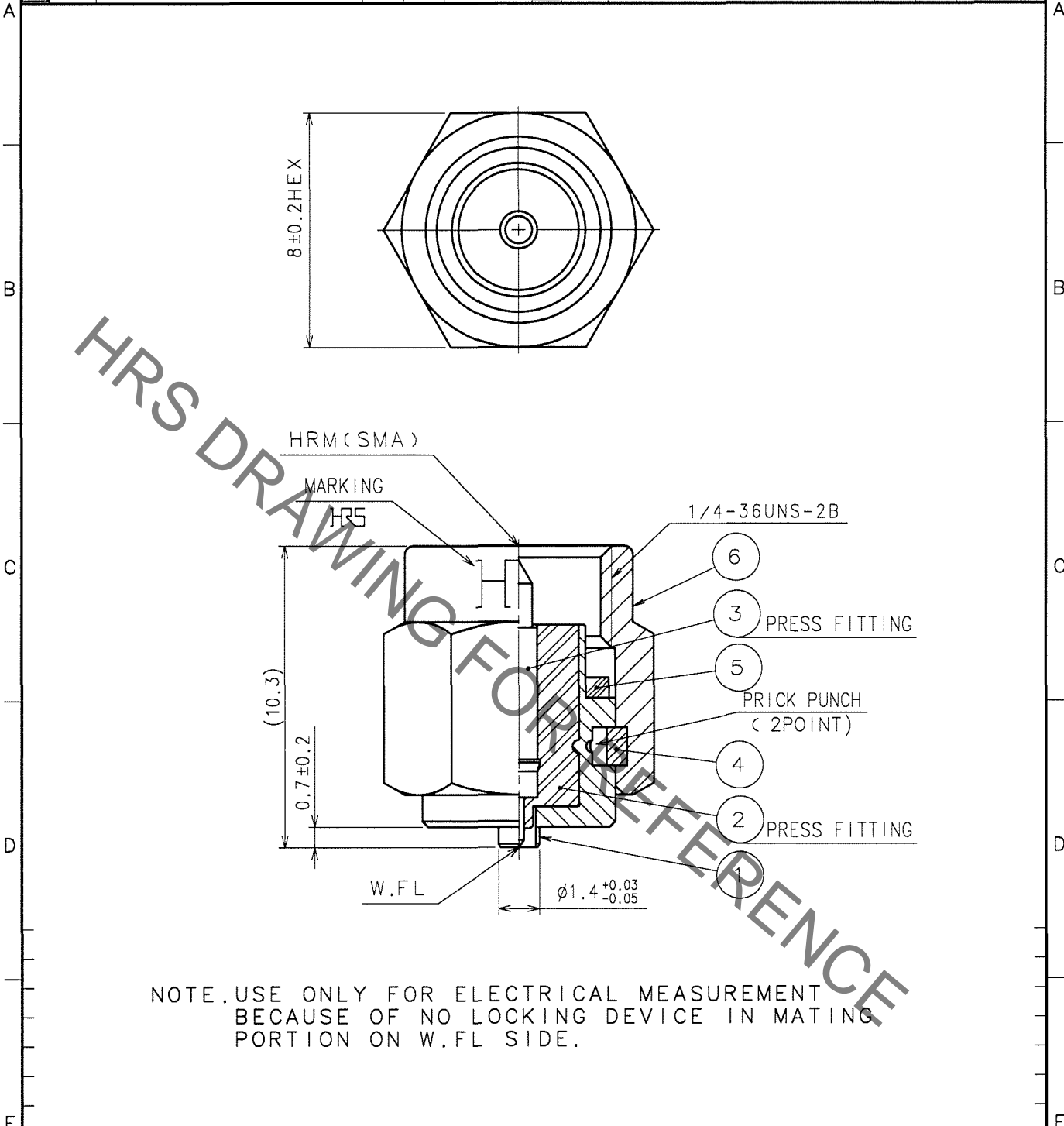


Jan.1.2022 Copyright 2022 HIROSE ELECTRIC CO., LTD. All Rights Reserved.  
 In case of consideration for using Automotive equipment / device which demand high reliability, kindly contact our sales window correspondents.

1	2		3		4				
COUNT	DESCRIPTION OF REVISIONS	BY	CHKD	DATE	COUNT	DESCRIPTION OF REVISIONS	BY	CHKD	DATE
△					△				. .
△					△				. .
△					△				. .



3	PHOSPHOR BRONZE	GOLD PLATING	6	STAINLESS STEEL	PASSIVATE
2	PTFE		5	SILICONE RUBBER	(RED)
1	STAINLESS STEEL	NICKEL PLATING	4	BERYLLIUM COPPER	NICKEL PLATING
NO.	MATERIAL	FINISH, REMARKS	NO.	MATERIAL	FINISH, REMARKS

CODE NO. (OLD)	DRAWN	DESIGNED	CHECKED	APPROVED	RELEASED
CL	<i>h. Ninomiya</i>	<i>h. Ninomiya</i>	<i>m. Yamane</i>	<i>S. Mitani</i>	
	06.03.24	06.03.24	06.03.24	06.03.24	

TO
RF

 SACLE 5 : 1 UNITS mm	DRAWING NO. EDC4-300217-40	PART NO. HRMP-W.FLJ(40)
	 HIROSE ELECTRIC CO., LTD.	CODE NO. CL311-0367-3-40