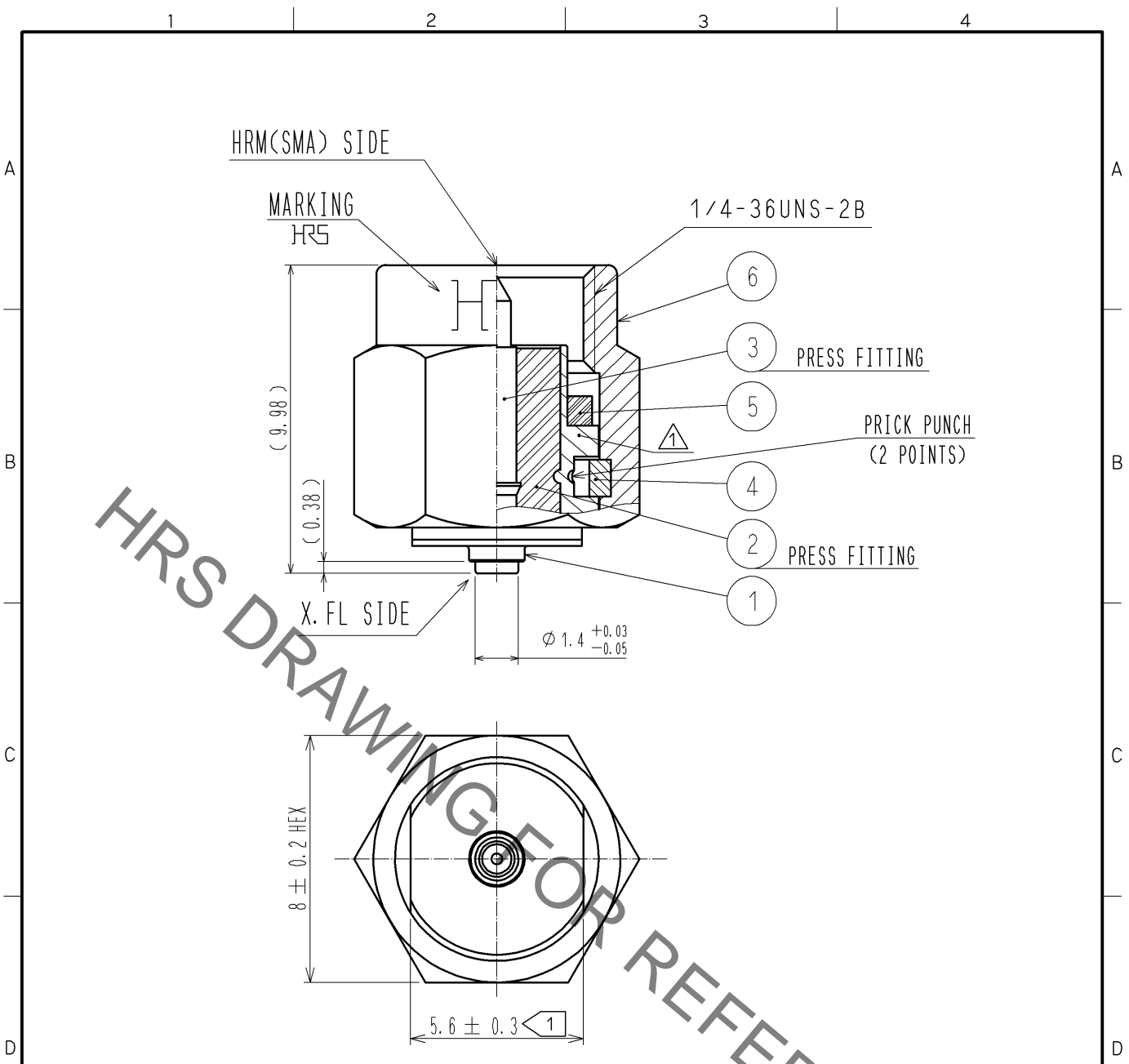


Dec.1.2021 Copyright 2021 HIROSE ELECTRIC CO., LTD. All Rights Reserved.
In case of consideration for using Automotive equipment / device which demand high reliability, kindly contact our sales window correspondents.



NOTE. USE ONLY FOR ELECTRICAL MEASUREMENT BECAUSE OF NO LOCKING DEVICE IN MATING PORTION ON X. FL SIDE.

△ 1 It is shape to distinguish from HRMP-W. FLJ(40) and HRMP-W. FL2J.

RoHS COMPLIANT

3	PHOSPHOR BRONZE	GOLD PLATING	6	STAINLESS STEEL	PASSIVATE
2	PTFE		5	SILICONE RUBBER	(RED)
1	STAINLESS STEEL	NICKEL PLATING	4	BERYLLIUM COPPER	NICKEL PLATING
NO.	MATERIAL	FINISH . REMARKS	NO.	MATERIAL	FINISH . REMARKS

UNITS mm		SCALE 5 : 1	COUNT △ 2	DESCRIPTION OF REVISIONS DIS-D-001984	DESIGNED YI. FUNADA	CHECKED NK. NINOMIYA	DATE 10.10.04																	
<table border="0"> <tr> <td>APPROVED : MH. YAMANE</td> <td>10.03.21</td> </tr> <tr> <td>CHECKED : NK. NINOMIYA</td> <td>10.03.20</td> </tr> <tr> <td>DESIGNED : MY. KOJIMA</td> <td>10.03.18</td> </tr> <tr> <td>DRAWN : MY. KOJIMA</td> <td>10.03.18</td> </tr> </table>				APPROVED : MH. YAMANE	10.03.21	CHECKED : NK. NINOMIYA	10.03.20	DESIGNED : MY. KOJIMA	10.03.18	DRAWN : MY. KOJIMA	10.03.18	<table border="0"> <tr> <td>DRAWING NO.</td> <td colspan="2">EDC4-319144-00</td> </tr> <tr> <td>PART NO.</td> <td colspan="2">HRMP-X. FLJ</td> </tr> <tr> <td>CODE NO.</td> <td>CL311-0435-1-00</td> <td>△ 1/1</td> </tr> </table>				DRAWING NO.	EDC4-319144-00		PART NO.	HRMP-X. FLJ		CODE NO.	CL311-0435-1-00	△ 1/1
APPROVED : MH. YAMANE	10.03.21																							
CHECKED : NK. NINOMIYA	10.03.20																							
DESIGNED : MY. KOJIMA	10.03.18																							
DRAWN : MY. KOJIMA	10.03.18																							
DRAWING NO.	EDC4-319144-00																							
PART NO.	HRMP-X. FLJ																							
CODE NO.	CL311-0435-1-00	△ 1/1																						