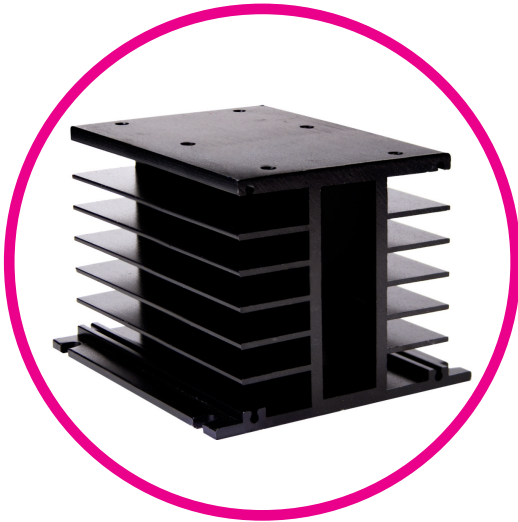




HEAT SINKS | HS101

ACCESSORIES



Features

- 1°C/W Thermal resistance
- Suitable for 1, 2 or 3 single or dual Solid State Relays or one 3 Phase/Motor Reversing Solid State Contactor
- Panel mounting

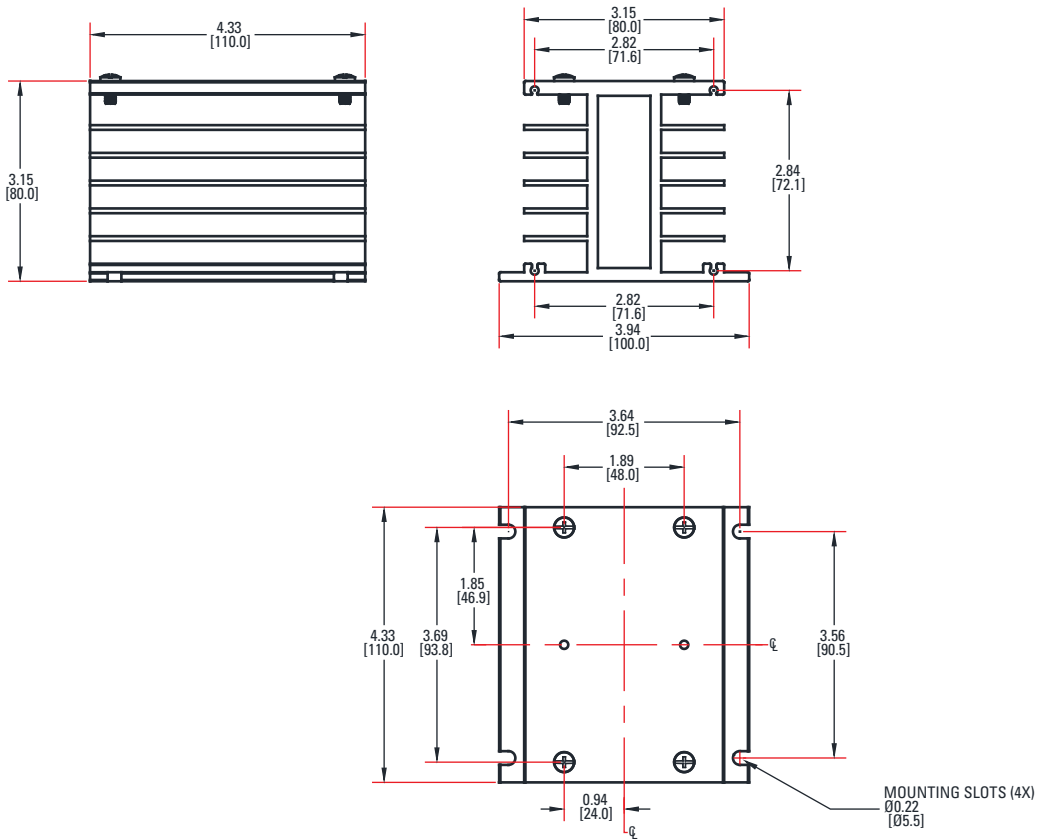


GENERAL SPECIFICATIONS

Description	Panel Mount
Model Number	HS101
Thermal resistance [°C/W]	1
Surface area [in ² /cm ²]	208/1342
Heat sink mounting	Panel Mount
Weight [lbs/grs]	1.18/537
Material	Aluminum
Finish	Black Anodized
SSR Mounting Holes/ threads	6, M4
Number and type of relay accepted	1, single, dual, or 3-Phase
Mounting screw torque [in-lb/Nm]	15-20/1.7-2.2
Accepts Fan/size [mm]	No

MECHANICAL SPECIFICATIONS

Tolerances: ±0.02 in / 0.5 mm
 All dimensions are in: inches [millimeters]



AGENCY APPROVALS AND CERTIFICATIONS



WARNINGS



RISK OF MATERIAL DAMAGE AND HOT ENCLOSURE

- The product's side panels may be hot, allow the product to cool before touching.
- Follow proper mounting instructions including torque values.
- Do not allow liquids or foreign objects to enter this product.

Failure to follow these instructions can result in serious injury, or equipment damage.



HAZARD OF ELECTRIC SHOCK, EXPLOSION OR ARC FLASH

- Disconnect all power before installing or working with this equipment.
- Verify all connections and replace all covers before turning on power.

Failure to follow these instructions will result in death or serious injury.