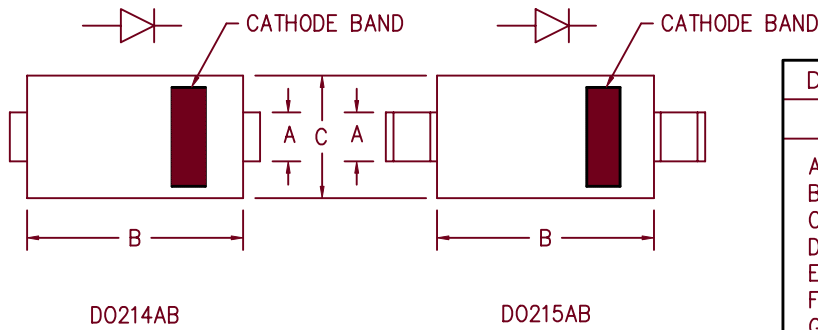
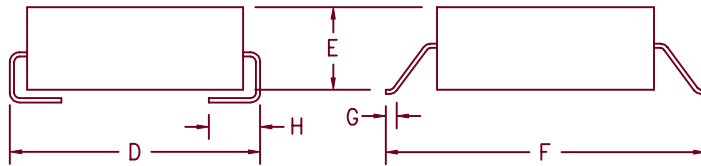


5 Amp Schottky Rectifier HSM550, HSM560



Dim.	Inches		Millimeter		Notes
	Minimum	Maximum	Minimum	Maximum	
A	.117	.123	2.97	3.12	
B	.260	.280	6.60	7.11	
C	.220	.245	5.59	6.22	
D	.307	.322	7.80	8.18	
E	.075	.095	1.91	2.41	
F	.380	.400	9.65	10.16	
G	.025	.040	.640	1.02	
H	.030	.060	.760	1.52	



Microsemi
Catalog Number

HSM550*
HSM560*

Industry
Part Number

SK55L, B550C
SK56L, B560C

Working
Peak Reverse
Voltage

50V
60V

Repetitive
Peak Reverse
Voltage

50V
60V

* Add Suffix J for J Lead or G for Gull Wing Lead Configuration

- Schottky Barrier Rectifier
- Guard Ring Protection
- High Current Capability
- 175°C Junction Temperature
- Surface mount packages

Electrical Characteristics

Average forward current
Maximum surge current
Max peak forward voltage
Max peak forward voltage
Max peak reverse current
Typical junction capacitance

$I_F(AV)$ 5.0 Amps
 I_{FSM} 250 Amps
 V_{FM} .52 Volts
 V_{FM} .65 Volts
 I_{RM} 250 μA
 C_J 355 pF

Square wave
8.3ms, half sine, $T_J = 175^\circ C$
 $I_{FM} = 1.0A; T_J = 25^\circ C$ *
 $I_{FM} = 5.0A; T_J = 25^\circ C$ *
 $V_{RRM}, T_J = 25^\circ C$
 $V_R = 5.0V, T_J = 25^\circ C$

*Pulse test: Pulse width 300 μsec , Duty cycle 2%

Thermal and Mechanical Characteristics

Storage temperature range
Operating junction temp range
Maximum thermal resistance
Weight

T_{STG}
 T_J
 $R_{\theta JL}$

-55°C to 175°C
-55°C to 175°C
22°C/W Junction to lead
.008 ounces (.22 grams) typical

1-10-02 Rev. 2

HSM550, HSM560

Figure 1
Typical Forward Characteristics

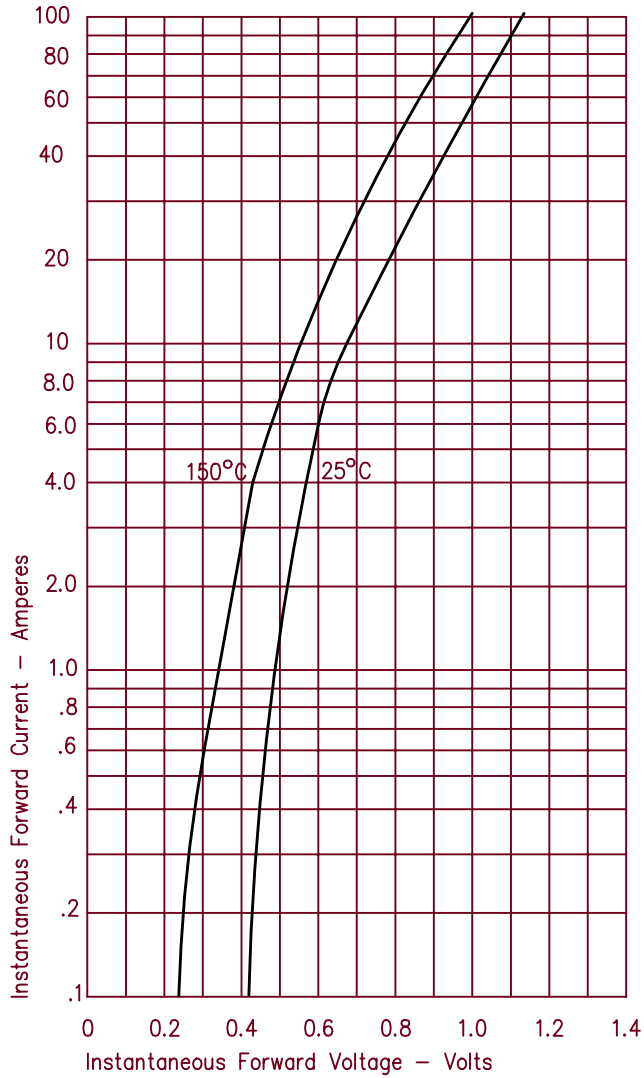


Figure 3
Typical Junction Capacitance

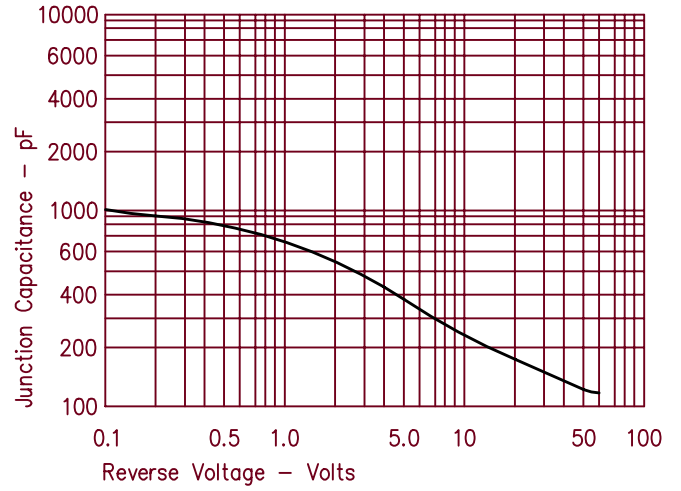


Figure 2
Typical Reverse Characteristics

