

High temperature accelerometer

HT780A

SPECIFICATIONS

Sensitivity, $\pm 5\%$, 25°C		100 mV/g
Acceleration range, VDC > 25 V		80 g peak
Amplitude nonlinearity		1%
Frequency response:	$\pm 5\%$	3 - 5,000 Hz
	$\pm 10\%$	1 - 9,000 Hz
	± 3 dB	0.5 - 14,000 Hz
Resonance frequency, nominal		30 kHz
Transverse sensitivity, max		5% of axial
Temperature response:	-25°C	-10%
	+150°C	+15%
Power requirement:		
Voltage source		18 - 30 VDC
Current regulating diode		2 - 10 mA
Electrical noise, equiv. g:	25°C	
	150°C	
	Broadband 2.5 Hz to 25 kHz	700 μ g
	Spectral 10 Hz	10 μ g/ \sqrt Hz
	100 Hz	5 μ g/ \sqrt Hz
	1,000 Hz	5 μ g/ \sqrt Hz
Output impedance, max		100 Ω
Bias output voltage:	+25°C	13 VDC
	+150°C	12 VDC
Grounding		case isolated, internally shielded
Temperature range¹		-50° to +165°C
Vibration limit		500 g peak
Shock limit		5,000 g peak
Electromagnetic sensitivity, equiv. g, max		70 μ g/gauss
Sealing		hermetic
Base strain sensitivity, max		0.0002 g/ μ strain
Sensing element design		PZT, shear
Weight		62 grams
Case material		316L stainless steel
Mounting		1/4-28 UNF tapped hole
Output connector		2 pin, MIL-C-5015 style

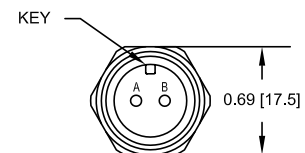
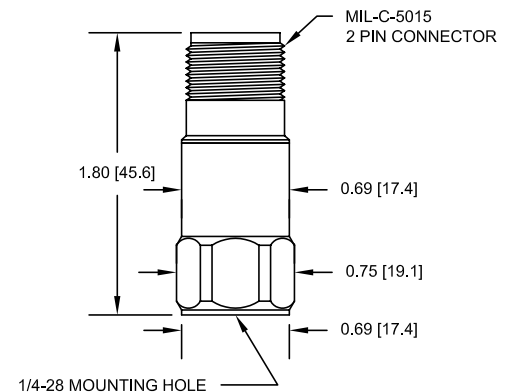
Notes: ¹ Dependent on current supply. BOV, dynamic range and noise may vary.

Accessories supplied: SF6 mounting stud (metric mounting available); calibration data (level 2)



Key features

- Compact, lightweight
- Operation in environments up to 165°C
- Manufactured in ISO 9001 facility



Connections	
Function	Connector pin
power/signal	A
common	B
ground	shell



Note: Due to continuous process improvement, specifications are subject to change without notice. This document is cleared for public release.