

# 16-Channel, High Voltage Analog Switch

## Features

- ▶ HVCMOS® technology for high performance
- ▶ 220V operating conditions
- ▶ Output on-resistance typically 22Ω
- ▶ 5.0 and 12.0V CMOS logic compatibility
- ▶ Very low quiescent current consumption (-10μA)
- ▶ -45dB min off isolation at 7.5MHz
- ▶ Low parasitic capacitance
- ▶ Excellent noise immunity
- ▶ Flexible high voltage supplies

## Applications

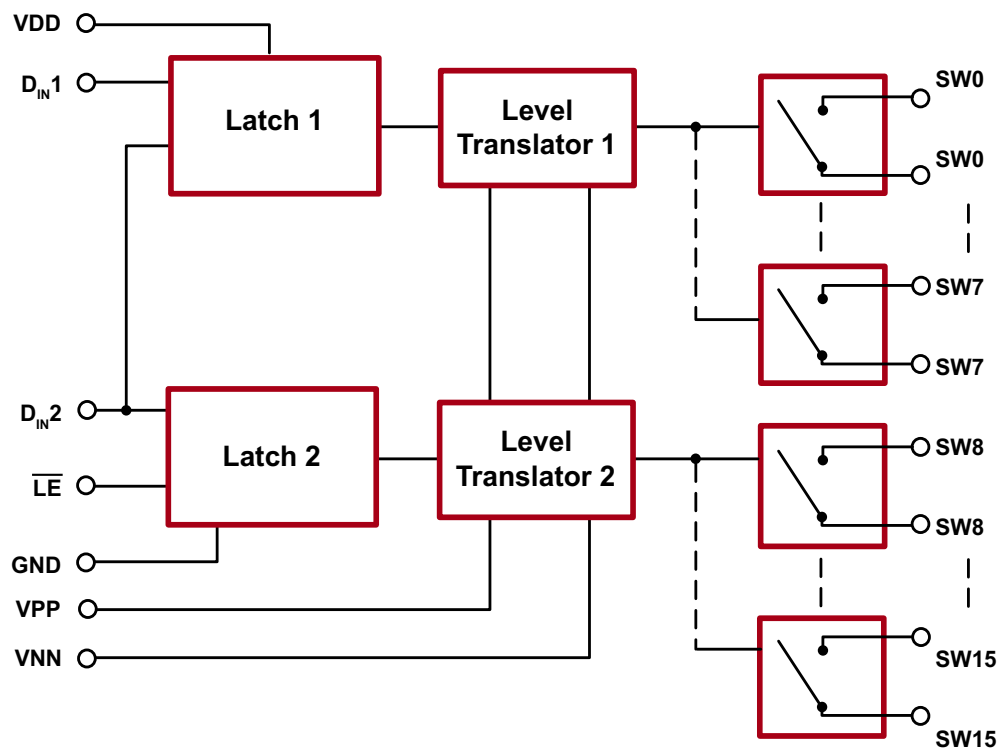
- ▶ Medical ultrasound imaging
- ▶ Piezoelectric transducer drivers

## General Description

The Supertex HV20822 is a 220V, 16-channel, high-voltage analog switch integrated circuit (IC) configured as 2 sets of 8 single-pole single-throw analog switches. It is intended for use in applications requiring high voltage switching controlled by low voltage control signals such as ultrasound imaging and printers.

The 2 sets of 8 analog switches are controlled by 2 input logic controls,  $D_{IN1}$  and  $D_{IN2}$ . A logic high on  $D_{IN1}$  will turn On switches 0 to 7 and a logic high on  $D_{IN2}$  will turn On switches 8 to 15.

## Block Diagram



## Ordering Information

Part Number	Package Option	Packing
HV20820FG-G	48-Lead LQFP	250/Tray
HV20820FG-G M931	48-Lead LQFP	1000/Reel

-G denotes a lead (Pb)-free / RoHS compliant package

## Absolute Maximum Ratings

Parameter	Value
$V_{DD}$ Logic power supply voltage	-0.5V to +15V
$V_{PP} - V_{NN}$ Supply voltage	+225V
$V_{PP}$ Positive high voltage supply	-0.5V to $V_{NN} + 225V$
$V_{NN}$ Negative high voltage supply	+0.5V to -225V
Logic input voltages	-0.5V to $V_{DD} + 0.3V$
$V_{SIG}$ Analog signal range	$V_{NN}$ to $V_{PP}$
Peak analog signal current/channel	3.0A
Storage temperature	-65°C to +150°C
Power dissipation	1.0W

Absolute Maximum Ratings are those values beyond which damage to the device may occur. Functional operation under these conditions is not implied. Continuous operation of the device at the absolute rating level may affect device reliability. All voltages are referenced to device ground.

## Typical Thermal Resistance

Package	$\theta_{ja}$
48-Lead LQFP	52°C/W

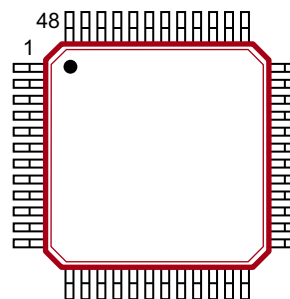
## Recommended Operating Conditions

Sym	Parameter	Value
$V_{PP}$	Positive high voltage supply <sup>1</sup>	+50V to +110V
$V_{NN}$	Negative high voltage supply <sup>1</sup>	-10V to $V_{PP} - 220V$
$V_{DD}$	Logic power supply voltage <sup>1</sup>	+4.75V to +12.6V
$V_{IH}$	High-level input voltage	$V_{DD} - 1.0V$ to $V_{DD}$
$V_{IL}$	Low-level input voltage	0V to 1.0V
$V_{SIG}$	Analog signal voltage peak-to-peak <sup>2</sup>	$V_{NN} + 10V$ to $V_{PP} - 10V$
$T_A$	Operating free air-temperature	0°C to 70°C

**Notes:**

- Power up/down sequence is arbitrary except GND must be powered-up first and powered-down last.
- $V_{SIG}$  must be  $V_{NN} \leq V_{SIG} \leq V_{PP}$  or floating during power up/down transition.

## Pin Configuration



48-Lead LQFP  
(top view)

## Product Marking

Top Marking



YY = Year Sealed  
 WW = Week Sealed  
 L = Lot Number  
 C = Country of Origin\*  
 A = Assembler ID\*  
 — = "Green" Packaging

Bottom Marking



\*May be part of top marking

Package may or may not include the following marks: Si or

48-Lead LQFP

## DC Electrical Characteristics *(Over recommended operating conditions unless otherwise noted)*

Sym	Parameter	0°C		+25°C			+70°C		Units	Conditions
		min	max	min	typ	max	min	max		
R <sub>OnS</sub>	Small signal switch on-resistance	-	30	-	26	32	-	40	Ω	V <sub>SIG</sub> = 0V, I <sub>SIG</sub> = 5.0mA, V <sub>PP</sub> = 50V, V <sub>NN</sub> = -170V
		-	25	-	22	27	-	35		V <sub>SIG</sub> = 0V, I <sub>SIG</sub> = 200mA, V <sub>PP</sub> = 50V, V <sub>NN</sub> = -170V
		-	25	-	22	27	-	30		V <sub>SIG</sub> = 0V, I <sub>SIG</sub> = 5.0mA, V <sub>PP</sub> = 110V, V <sub>NN</sub> = -110V
		-	20	-	18	22	-	25		V <sub>SIG</sub> = 0V, I <sub>SIG</sub> = 200mA, V <sub>PP</sub> = 110V, V <sub>NN</sub> = -110V
ΔR <sub>OnS</sub>	Small signal switch on-resistance matching	-	20	-	5.0	20	-	20	%	V <sub>SIG</sub> = 0V, I <sub>SIG</sub> = 5.0mA, V <sub>PP</sub> = 110V, V <sub>NN</sub> = -110V
R <sub>OnL</sub>	Large signal switch on-resistance	-	-	-	15	-	-	-	Ω	V <sub>SIG</sub> = 0V, I <sub>SIG</sub> = 1.0mA
I <sub>SOL</sub>	Switch-off leakage per switch	-	5.0	-	1.0	10	-	15	μA	V <sub>SIG</sub> = V <sub>PP</sub> -10V and V <sub>NN</sub> +10V
-	DC offset switch-off	300	-	-	100	300	-	300	mV	R <sub>L</sub> = 100KΩ
	DC offset switch-on	500	-	-	100	500	-	500		R <sub>L</sub> = 100KΩ
I <sub>PPQ</sub>	Pos. HV supply current	-	-	-	10	50	-	-	μA	All SWs off
I <sub>NNQ</sub>	Neg. HV supply current	-	-	-	-10	-50	-	-		
I <sub>PPQ</sub>	Pos. HV supply current	-	-	-	10	50	-	-		All SWs on, I <sub>SW</sub> = 5.0mA
I <sub>NNQ</sub>	Neg. HV supply current	-	-	-	-10	-50	-	-		
-	Switch output peak current	-	3.0	-	3.0	2.0	-	2.0	A	V <sub>SIG</sub> duty cycle ≤ 0.1%
f <sub>SW</sub>	Output switch frequency	-	-	-	-	50	-	-	KHz	Duty cycle = 50%
I <sub>PP</sub>	I <sub>PP</sub> supply current	-	8.1	-	-	8.8	-	10	mA	V <sub>PP</sub> = 50V, V <sub>NN</sub> = -170V, all SWs turning on and off at 50KHz
I <sub>NN</sub>	I <sub>NN</sub> supply current	-	-8.1	-	-	-8.8	-	-10		
I <sub>PP</sub>	I <sub>PP</sub> supply current	-	5.0	-	-	6.3	-	6.9		V <sub>PP</sub> = 110V, V <sub>NN</sub> = -110V, all SWs turning on and off at 50KHz
I <sub>NN</sub>	I <sub>NN</sub> supply current	-	-5.0	-	-	-6.3	-	-6.9		
I <sub>DDQ</sub>	Logic supply quiescent current	-	10	-	-	10	-	10	μA	All logic states are at DC
I <sub>DD</sub>	Logic supply average current	-	2.0	-	-	2.0	-	2.0	mA	D <sub>IN1</sub> = D <sub>IN2</sub> = 3.0MHz, $\overline{LE}$ = high

## AC Electrical Characteristics *(Over recommended operating conditions unless otherwise noted)*

Sym	Parameter	0°C		+25°C			+70°C		Units	Conditions
		min	max	min	typ	max	min	max		
t <sub>SIG(Off)</sub>	Time to turn off V <sub>SIG</sub> *	0	-	0	-	-	0	-	ns	---
t <sub>WLE</sub>	Time width of $\overline{LE}$	150	-	150	-	-	150	-	ns	---
t <sub>WDIN</sub>	Time width of D <sub>IN</sub>	150	-	150	-	-	150	-	ns	---
t <sub>SD</sub>	Set up time before $\overline{LE}$ rises	150	-	150	-	-	150	-	ns	---

\* Time required for analog signal to turn off before output switch turns off.

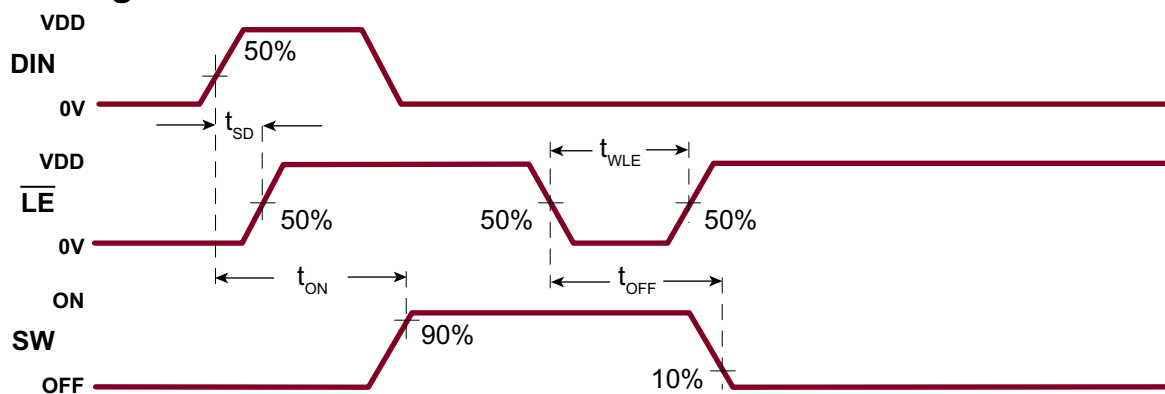
AC Electrical Characteristics (cont.)

Sym	Parameter	0°C		+25°C			+70°C		Units	Conditions
		min	max	min	typ	max	min	max		
$t_{On}$	Turn-on time	-	5.0	-	-	5.0	-	5.0	$\mu s$	$V_{SIG} = V_{PP} - 10V, R_{LOAD} = 10K\Omega$
$t_{Off}$	Turn-off time	-	5.0	-	-	5.0	-	5.0	$\mu s$	$V_{SIG} = V_{PP} - 10V, R_{LOAD} = 10K\Omega$
$K_O$	Off isolation	-30	-	-30	-33	-	-30	-	dB	$f = 5.0MHz, 1.0K\Omega/15pF$ Load
		-45	-	-45	-50	-	-45	-	dB	$f = 7.5MHz, R_{LOAD} = 50\Omega$
$K_{CR}$	Switch crosstalk	-45	-	-45	-	-	-45	-	dB	$f = 5.0MHz, R_{LOAD} = 50\Omega$
$C_{GS(Off)}$	Off-capacitance switch to GND	5.0	17	5.0	12	17	5.0	17	pF	$V_{SIG} = 0V, 1.0MHz$
$C_{GS(On)}$	On-capacitance switch to GND	25	50	25	38	50	25	50	pF	$V_{SIG} = 0V, 1.0MHz$
$+V_{SPK}$	Output voltage spike	-	-	-	4.0	-	-	-	V	---
$-V_{SPK}$		-	-	-	-4.0	-	-	-		---

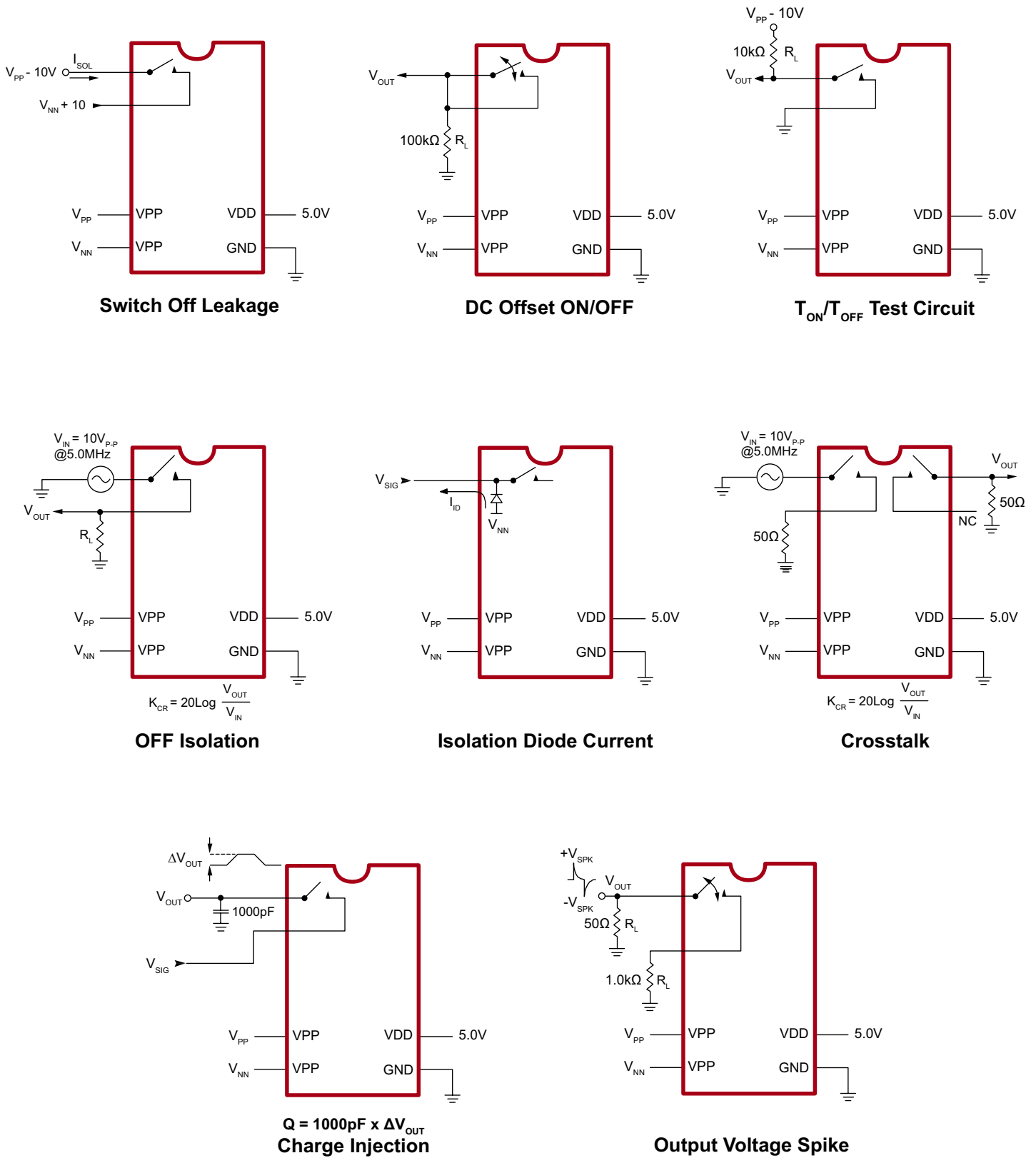
Logic Truth Table

$D_{IN2}$	$D_{IN1}$	$\overline{LE}$	SW0 to SW7	SW8 to SW15
L	L	L	Off	Off
L	H	L	On	Off
H	L	L	Off	On
H	H	L	On	On
X	X	H	Hold Previous State	

Logic Timing Waveform



Test Circuits



## Pin Description

Pin #	Function
1	VNN
2	N/C
3	VPP
4	N/C
5	D <sub>IN</sub> 1
6	$\overline{LE}$
7	D <sub>IN</sub> 2
8	N/C
9	N/C
10	VDD
11	GND
12	N/C
13	N/C
14	SW15
15	SW15
16	SW14
17	SW14
18	SW13
19	SW13
20	SW12
21	SW12
22	SW11
23	SW11
24	N/C

Pin #	Function
25	SW10
26	SW10
27	SW9
28	SW9
29	SW8
30	SW8
31	SW7
32	SW7
33	SW6
34	SW6
35	SW5
36	SW5
37	SW4
38	N/C
39	SW4
40	N/C
41	SW3
42	SW3
43	SW2
44	SW2
45	SW1
46	SW1
47	SW0
48	SW0