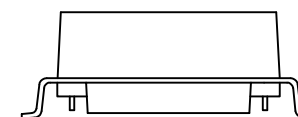
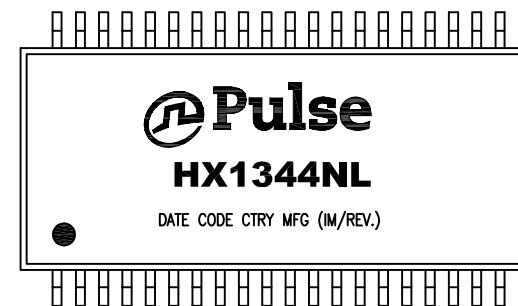


NOTES:

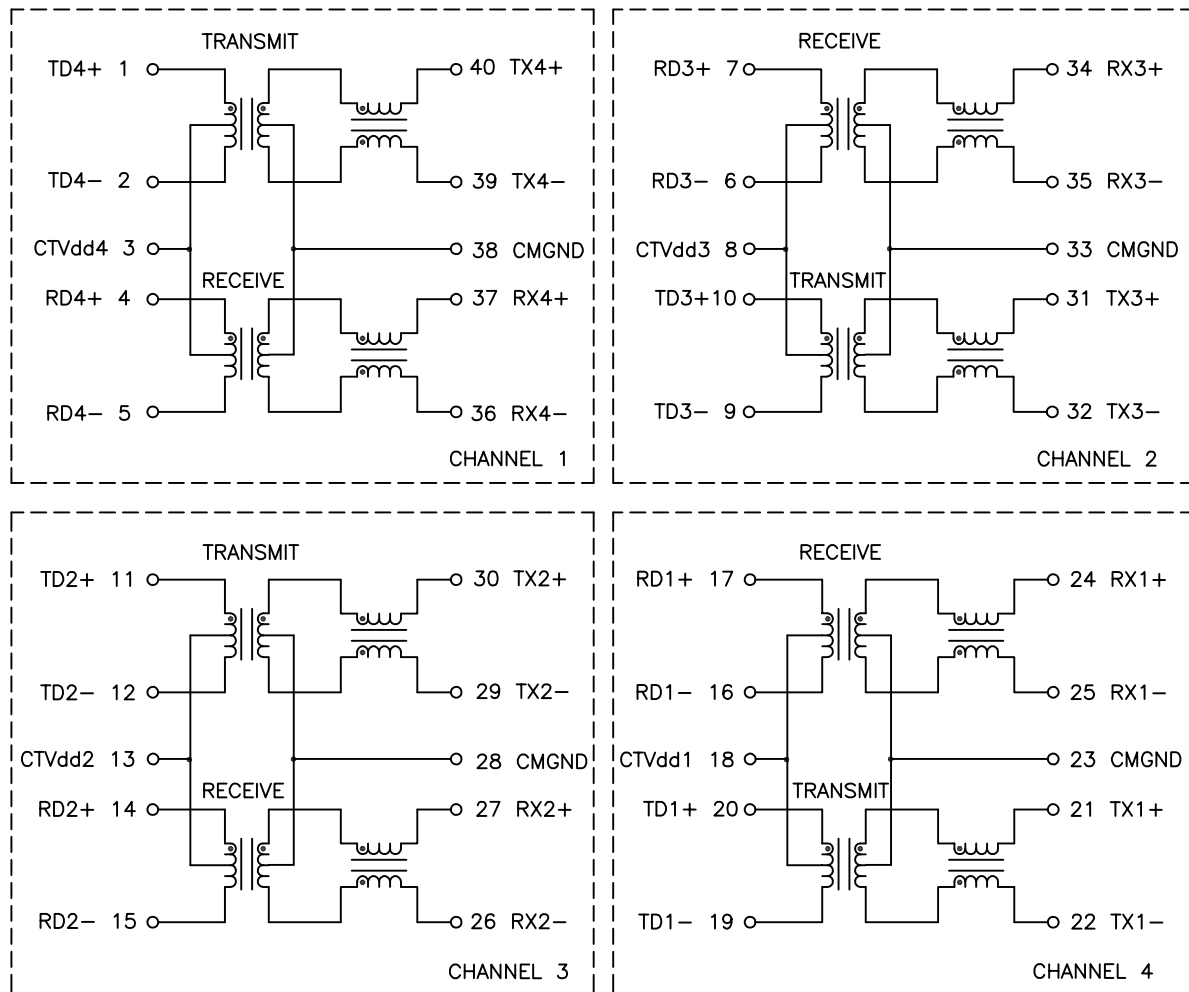
1. ROHS COMPLIANT
2. HEADER: DAP (DIALLYL PHTHALATE) WITH FLAMMABILITY RATING UL 94V-0 OR BETTER.
3. STORAGE TEMPERATURE: -50°C TO +125°C
4. COMPLIANCE TO J-STD:
 - A. J-STD-002: SOLDERABILITY AT 245°C REFLOW PROFILE
 - B. J-STD-020: LEVEL 1, NO MOISTURE SENSITIVE
 - C. J-STD-075: R7, 245°C MAXIMUM THROUGH REFLOW SOLDER
5. TO ORDER TAPE & REEL PACKAGING ADD A "T" SUFFIX TO THE PART NUMBER(i.e HX1344NL BECOMES HX1344NLT).



FINAL OUTLINE

© Copyright, 2016. Pulse Electronics Corp. All rights reserved. Pulse confidential & proprietary. (03/03/16)

| PRODUCT DESCRIPTION | TLA DRAWING | PS DRAWING | SHEET | PART NO. | DATASHEET REV. |
|-------------------------|-------------|------------|--------|----------|----------------|
| MDL,QUAD,100D,1:1,SM,TU | HX1344NL-X1 | - | 1 OF 3 | HX1344NL | B |



SCHEMATIC

MEETS IEEE802.3u & SUPPORTS INDUSTRIAL ETHERNET PROTOCOLS
EtherCAT, Profi-BUS, PowerLink, DeviceNET, MODbus

| PARAMETER | SPECIFICATIONS | | |
|---|--|---|------------|
| OPERATING TEMP | -40°C TO +85°C | | |
| POLARITY | PER SCHEMATIC | | |
| TURNS RATIO | 1.00 ±2% | | |
| INSERTION LOSS | 100 KHz | 1-125 MHz | |
| | -1.2 dB MAX | -0.2-0.002*f ^{1.4} dB MAX | |
| RETURN LOSS, 1000BT (Z OUT = 100 OHM ±15%) | .1-30 MHz | 30-60 MHz | 60-80 MHz |
| | -16 dB MIN | -10+20*LOG ₁₀ (f/60 MHz) dB MIN | -10 dB MIN |
| INDUCTANCE (OCL) MEDIA SIDE | 350 uH MIN (MEASURED AT 100 KHz, 100 mVRMS AND WITH 8 mA DC BIAS) | | |
| CROSSTALK, ADJACENT CHANNELS | 1-100 MHz | | |
| | -30 dB MIN | | |
| DIFFERENTIAL TO COMMON MODE REJECTION | 1-100 MHz | | |
| | -30 dB MIN | | |
| DC RESISTANCE, 1/2 WINDING | .65 OHMS MAX | | |
| DC RESISTANCE IMBALANCE | ±.065 OHMS MAX (CENTER TAP SYMMETRY) | | |
| INPUT - OUTPUT ISOLATION | 1500 VRMS MIN @ 60 SECONDS | | |

NOTE: f IS FREQUENCY IN MHZ.

© Copyright, 2016. Pulse Electronics Corp. All rights reserved. Pulse confidential & proprietary. (03/03/16)

| PRODUCT DESCRIPTION | TLA DRAWING | PS DRAWING | SHEET | PART NO. | DATASHEET REV. |
|-------------------------|-------------|------------|--------|----------|----------------|
| MDL,QUAD,100D,1:1,SM,TU | HX1344NL-X1 | - | 2 OF 3 | HX1344NL | B |