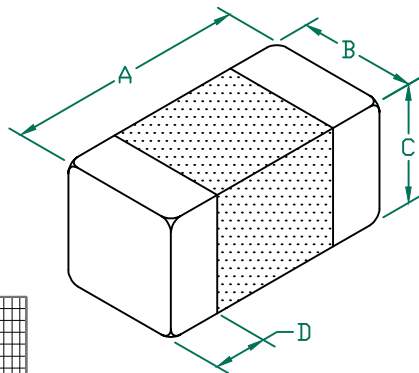


# HZ0603A252R-10

## PHYSICAL DIMENSIONS:

A	1.60 [.063]	$\pm$ 0.15	[.006]
B	0.80 [.031]	$\pm$ 0.15	[.006]
C	0.80 [.031]	$\pm$ 0.15	[.006]
D	0.36 [.014]	$\pm$ 0.15	[.006]

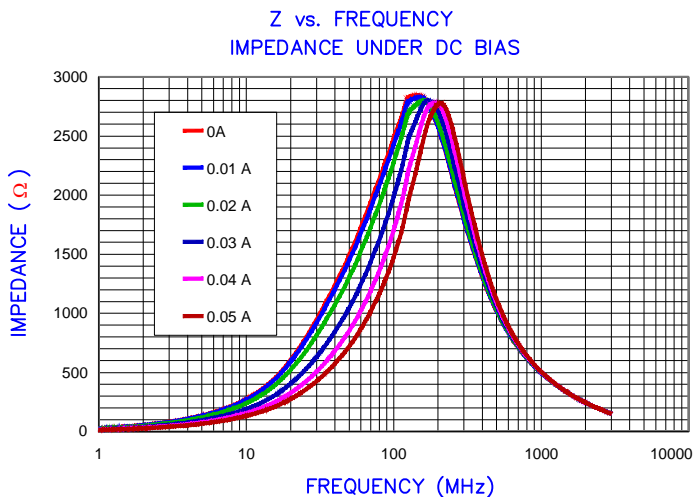


## ELECTRICAL CHARACTERISTICS:

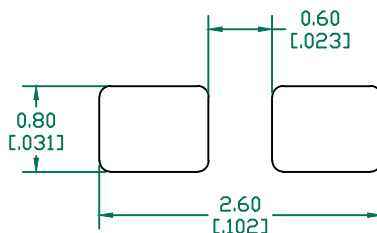
	Z @ 100MHz ( $\Omega$ )	DCR ( $\Omega$ )	Rated Current
Nominal	2500		
Minimum	1875		
Maximum	3125	1.5	50 mA

NOTES: UNLESS OTHERWISE SPECIFIED

1. TAPED AND REELED per CURRENT EIA SPECIFICATIONS 7" REELS, 4000 PCS/REEL, PAPER CARRIER TAPE.
2. TERMINATION FINISH IS 100% TIN.
3. COMPONENTS SHOULD BE ADEQUATELY PREHEATED BEFORE SOLDERING.
4. OPERATEING TEMPERATURE TEMP:  $-40^{\circ}\text{C} \sim +125^{\circ}\text{C}$  (INCLUDING SELF-HEATING)

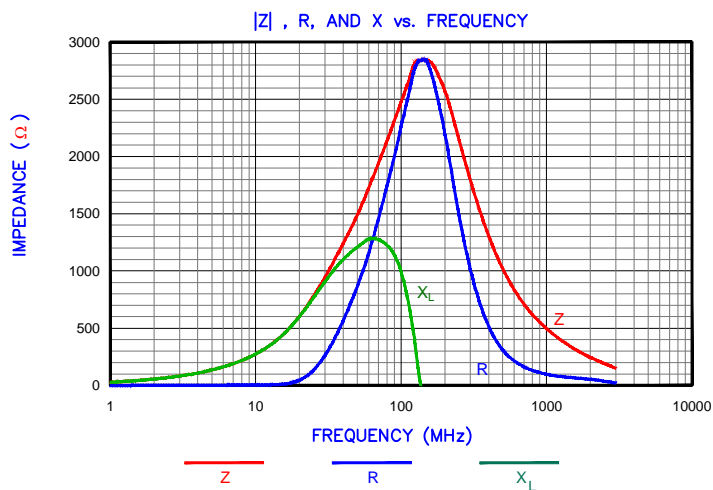
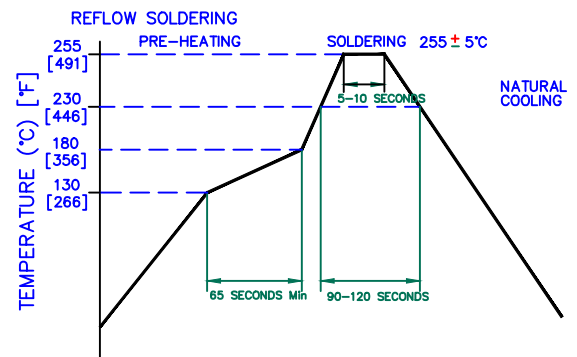


## LAND PATTERNS FOR REFLOW SOLDERING



(For wave soldering, add 0.762 [0.030] to this dimension)

## RECOMMENDED SOLDERING CONDITIONS



DIMENSIONS ARE IN mm [INCHES]				This print is the property of Laird Tech. and is loaned in confidence subject to return upon request and with the understanding that no copies shall be made without the written consent of Laird Tech. All rights to design or invention are reserved.		
D	ADD OPERATING TEMPERATURE UPDATE LAIRD LOGO AND REFLOW CURVE	08/05/13	QU	PROJECT/PART NUMBER:	REV	PART TYPE:
C	UPDATE COMPANY LOGO	02/25/08	JRK	HZ0603A252R-10	D	CO-FIRE
B	ADD BIAS CURVE & update ZRX Curve	08/08/06	JRK	DATE:	SCALE:	SHEET:
A	ORIGINAL DRAFT	03/30/06	JRK	03/30/06	-	-
REV	DESCRIPTION	DATE	INT	GAD #	TOOL #	1 of 1
				HZ0603A252R-10-D		

