

Proximity Sensors Inductive Long Body, Stainless Steel Types IA, M8



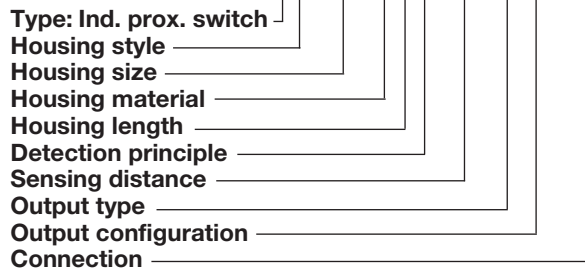
- Miniature stainless steel housing (cable or M8/M12 plug)
- Long body
- Sensing distance: 1,5 mm or 2,5 mm
- Power supply: 10 to 30 VDC
- Output: Transistor NPN/PNP, normally open or normally closed
- Protection: Short-circuit
- LED-indication for output ON
- 2 m PVC cable, M8 or M12 plug



Product Description

Inductive proximity sensor with long body. Output configuration for NPN/PNP with both NO and NC types as standard. M8 stainless steel housing with 2 m PVC cable or M8/M12 plug.

Ordering Key IA 08 BLF 15 NO M5



Type Selection

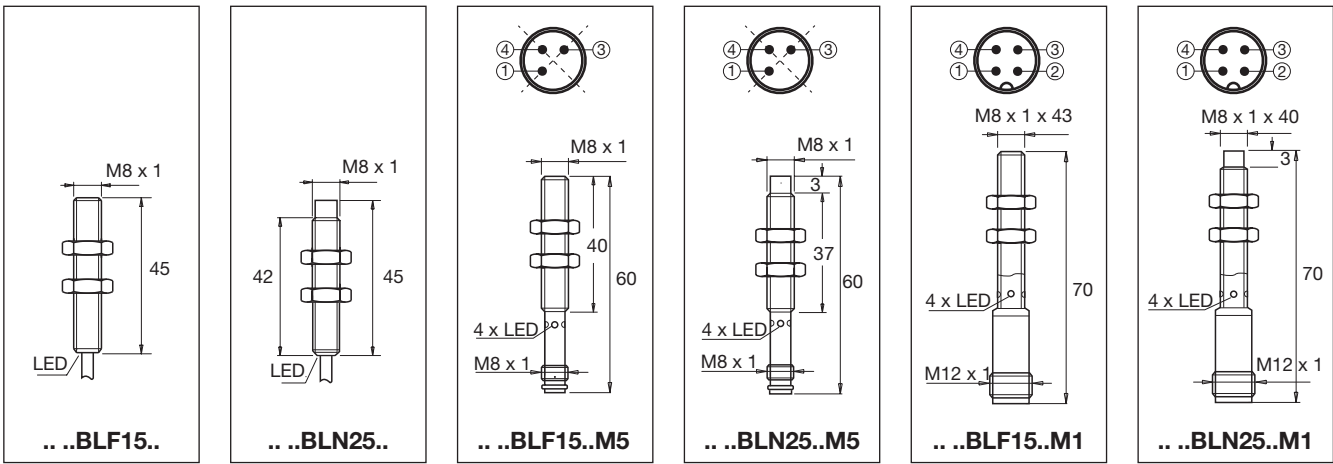
Rated operating dist. (S _n)	Conn. type	Ordering no. Transistor NPN Normally open	Ordering no. Transistor NPN Normally closed	Ordering no. Transistor PNP Normally open	Ordering no. Transistor PNP Normally closed
1.5 mm ¹⁾	Cable	IA 08 BLF 15 NO	IA 08 BLF 15 NC	IA 08 BLF 15 PO	IA 08 BLF 15 PC
1.5 mm ¹⁾	Plug M8	IA 08 BLF 15 NO M5		IA 08 BLF 15 PO M5	IA 08 BLF 15 PC M5
2.5 mm	Cable	IA 08 BLN 25 NO	IA 08 BLN 25 NC	IA 08 BLN 25 PO	IA 08 BLN 25 PC
2.5 mm	Plug M8	IA 08 BLN 25 NO M5		IA 08 BLN 25 PO M5	IA 08 BLN 25 PC M5
1.5 mm ¹⁾	Plug M12	IA 08 BLF 15 NO M1	IA 08 BLF 15 NC M1	IA 08 BLF 15 PO M1	IA 08 BLF 15 PC M1
2.5 mm	Plug M12	IA 08 BLN 25 NO M1	IA 08 BLN 25 NC M1	IA 08 BLN 25 PO M1	IA 08 BLN 25 PC M1

¹⁾ For flush mounting in metal

Specifications

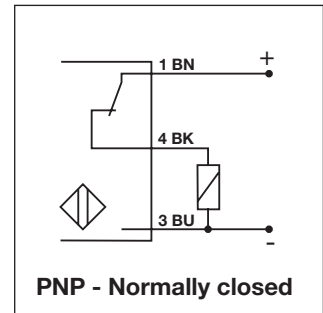
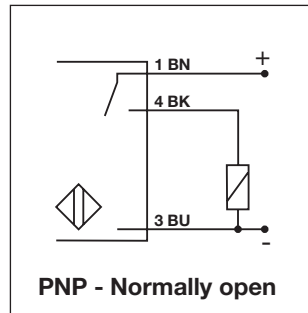
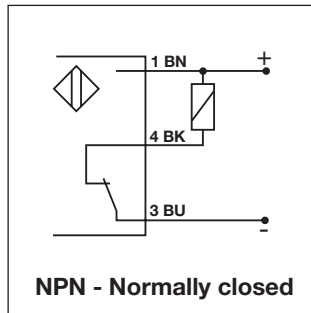
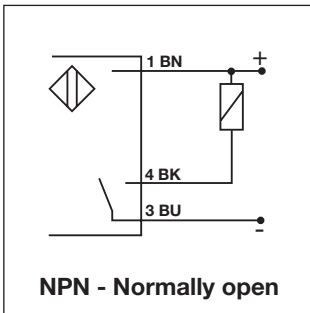
Rated operational volt. (U _B)	10 to 30 VDC (ripple included)	Ambient temperature	
Ripple	≤ 10%	Operating	-25° to +70°C (-13° to +158°F)
Rated operational current (I _a)		Storage	-30° to +75°C (-22° to +167°F)
Continuous	≤ 200 mA @ + 25°C (+75°F)	Degree of protection	IP 67 (Nema 1, 3, 4, 6, 13)
No-load supply current (I _o)	≤ 10 mA (ON)	Housing material	Stainless steel, AISI 303
Voltage drop (U _d)	< 2,5 V (@ I _{max})	CE-marking	Yes
Protection	Short circuit	Connection	
Frequency of operating cycles (f)	2000 Hz	IA08BL....O/C	Cable, 2 m, PVC, AWG 26, oil proof
Indication for output ON	LED, yellow	IA08BL....O/C M5	Plug M8, CONB53 series
Repeat Accuracy	≤ 5%	IA08BL....O/C M1	Plug M12, CONB1 series
Effective operating dist. (S _r)	0.9 x S _n ≤ S _r ≤ 1.1 x S _n	Weight (cables/nuts included)	
Usable operating dist. (S _u)	0.85 x S _r ≤ S _u ≤ 1.15 x S _r	Al...	36 g
		Al...M1/M5	11 g

Dimensions

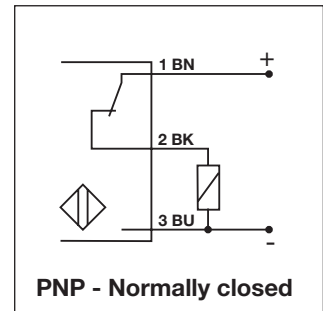
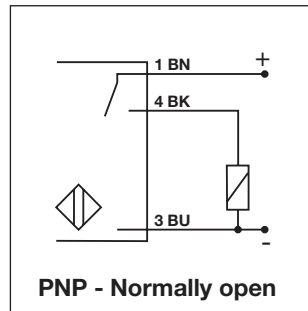
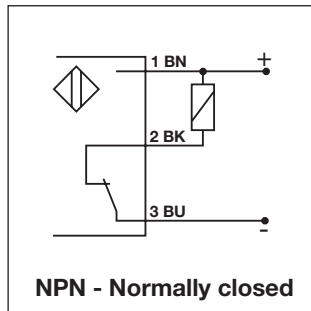
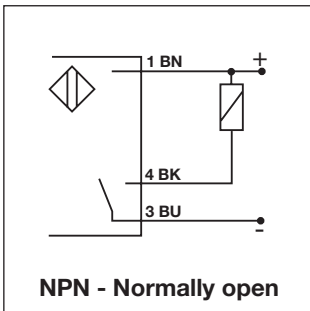


Wiring Diagrams

IA08BL..... - IA08BL.....M5

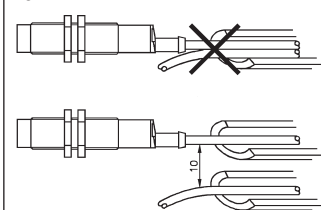


IA08BL.....M1

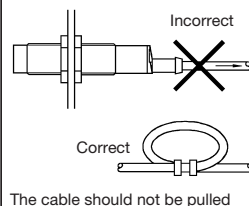


Installation Hints

To avoid interference from inductive voltage/current peaks, separate the prox. switch power cables from any other power cables, e.g. motor, contactor or solenoid cables

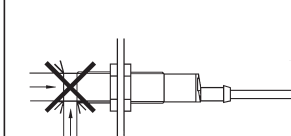


Relief of cable strain



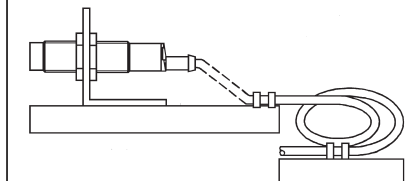
The cable should not be pulled

Protection of the sensing face



A proximity switch should not serve as mechanical stop

Switch mounted on mobile carrier



Any repetitive flexing of the cable should be avoided