

# Proximity Sensors Inductive

## Short body, Stainless Steel Housing

### Types IA, M8



- Miniature stainless steel housing M8
- Short body
- Sensing distance: 1.5 mm or 2.5 mm
- Power supply: 10 to 30 VDC
- Output: Transistor NPN/PNP, normally open or normally closed
- Protection: Short-circuit
- LED-indication for output ON
- 2 m PVC cable or M8 plug

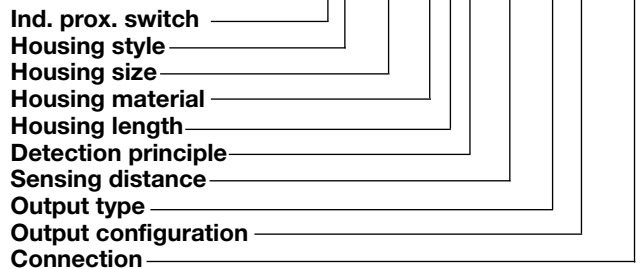


## Product Description

Miniature inductive proximity sensor with reduced body length. Output configuration for NPN/PNP with both NO and NC types as standard. M8 stainless steel housing. Connection with 2 m PVC cable or M8 plug.

## Ordering Key

**IA 08 BSF 15 NO M5**



## Type Selection

Rated operating dist. (S <sub>n</sub> )	Conn. type	Ordering no. Transistor NPN Normally open	Ordering no. Transistor NPN Normally closed	Ordering no. Transistor PNP Normally open	Ordering no. Transistor PNP Normally closed
1.5 mm <sup>1)</sup>	Cable	IA 08 BSF 15 NO	IA 08 BSF 15 NC	IA 08 BSF 15 PO	IA 08 BSF 15 PC
1.5 mm <sup>1)</sup>	Plug	IA 08 BSF 15 NO M5	IA 08 BSF 15 NC M5	IA 08 BSF 15 PO M5	IA 08 BSF 15 PC M5
2.5 mm	Cable	IA 08 BSN 25 NO	IA 08 BSN 25 NC	IA 08 BSN 25 PO	IA 08 BSN 25 PC
2.5 mm	Plug	IA 08 BSN 25 NO M5	IA 08 BSN 25 NC M5	IA 08 BSN 25 PO M5	IA 08 BSN 25 PC M5

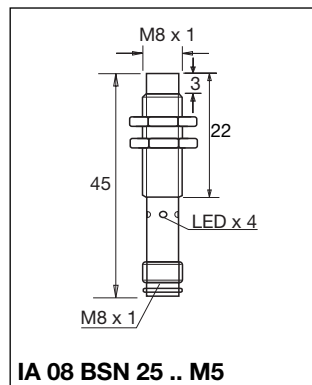
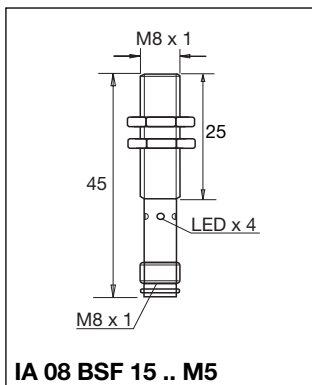
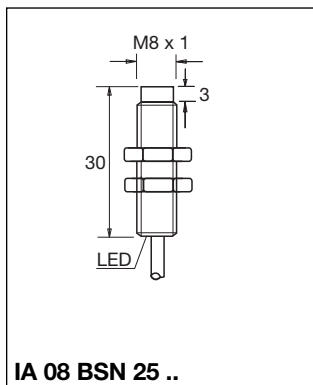
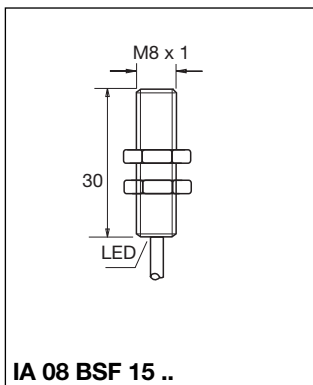
<sup>1)</sup> For flush mounting in metal

## Specifications

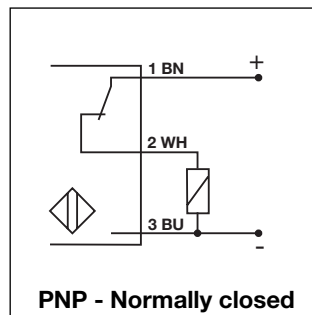
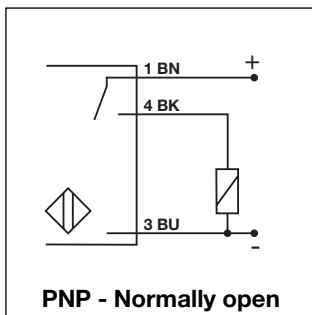
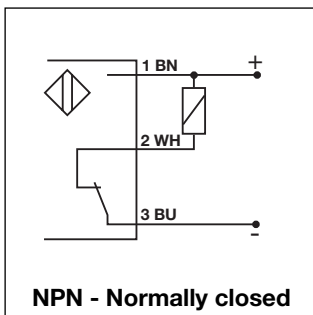
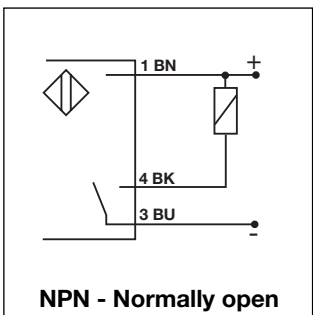
<b>Rated operational volt. (U<sub>B</sub>)</b>	10 to 30 VDC (ripple included)	<b>Ambient temperature</b>	
<b>Ripple</b>	≤ 10%	Operating	-25° to +70°C (-13° to +158°F)
<b>Rated operational current (I<sub>a</sub>)</b>		Storage	-30° to +75°C (-22° to +167°F)
Continuous	≤ 200 mA @ + 25°C (+75°F)	<b>Degree of protection</b>	IP 67 (Nema 1, 3, 4, 6, 13)
<b>No-load supply current (I<sub>o</sub>)</b>	≤ 10 mA (ON)	<b>Housing material</b>	Stainless steel, AISI 303
<b>Voltage drop (U<sub>d</sub>)</b>	< 2,5 V (@ I <sub>max</sub> )	<b>Approvals</b>	UL, CSA
<b>Protection</b>	Short circuit	<b>CE-marking</b>	Yes
<b>Frequency of operating cycles (f)</b>	2000 Hz	<b>Connection</b>	
<b>Indication for output ON</b>	LED, yellow	Cable	2 m, PVC, AWG 26, oil proof
<b>Repeat Accuracy</b>	≤ 5%	Plug	M8, CONH5A-xxx Serie
<b>Effective operating dist. (S<sub>r</sub>)</b>	0.9 x S <sub>n</sub> ≤ S <sub>r</sub> ≤ 1.1 x S <sub>n</sub>		
<b>Usable operating dist. (S<sub>u</sub>)</b>	0.85 x S <sub>r</sub> ≤ S <sub>u</sub> ≤ 1.15 x S <sub>r</sub>		



## Dimensions



## Wiring Diagrams



## Installation Hints

