

Proximity Sensors Inductive High Temperature, Nickel-plated Brass Housing Types IA, M12

CARLO GAVAZZI



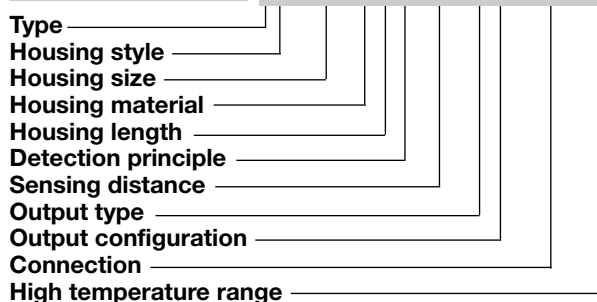
- Nickel-plated brass housing
- Sensing distance:
Flush mounting: 2 mm or
Non-flush mounting: 4 mm
- Power supply: 10 to 30 VDC
- Output: Transistor PNP and NPN, normally open
- High temperature range: -40° to +100°C
- Protection: Short-circuit
- LED-indication for output ON
- 2 m PUR cable or M12 plug

Product Description

Inductive proximity sensor in M12 nickel-plated brass housing for high temperature applications.

Output configuration PNP, and NPN NO (make switching). Connection with 2 m PUR cable or M12 plug.

Ordering Key IA 12 ASF 02 PO M1 HT-K



Type Selection

Rated operating distance (S _n)	Connection type	Ordering no. Transistor PNP, Normally open	Ordering no. Transistor NPN Normally open
2.0 mm ¹⁾ 2.0 mm ¹⁾	Cable Plug M12	IA 12 ASF 02 PO HT-K IA 12 ASF 02 PO M1 HT-K	
4.0 mm 4.0 mm	Cable Plug M12	IA 12 ASN 04 PO HT-K IA 12 ASN 04 PO M1 HT-K	IA 12 ASN 04 NO HT-K

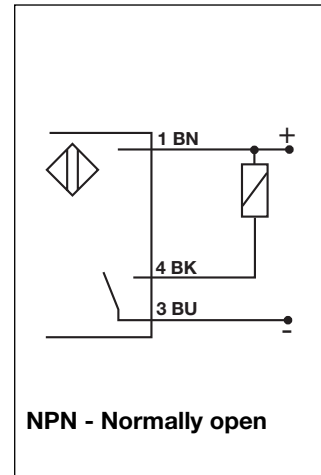
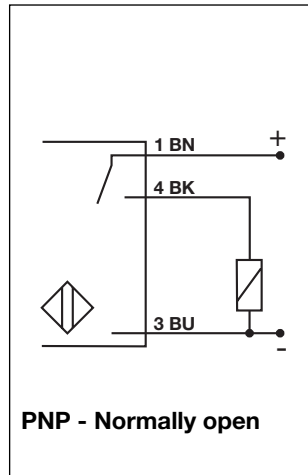
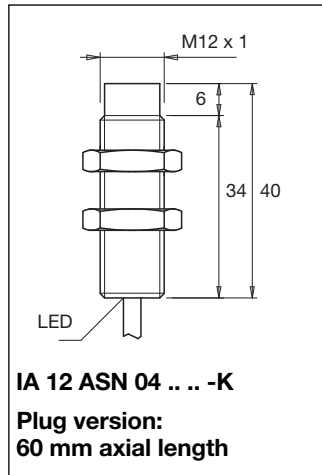
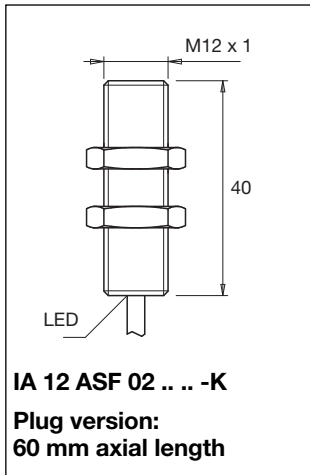
¹⁾ For flush mounting in metal

Specifications

Rated operational volt. (U _B)	10 to 30 VDC (ripple included)	Effective operating dist. (S _r)	0.9 x S _n ≤ S _r ≤ 1.1 x S _n
Ripple	≤ 10%	Usable operating dist. (S _u)	0.85 x S _r ≤ S _u ≤ 1.15 x S _r
Rated operational current (I _a) Continuous	≤ 200 mA @ + 25°C (+75°F)	Ambient temperature Operating	-40° to +100°C (-40° to +212°F)
No-load supply current (I _o)	≤ 20 mA (ON)	Storage	-45° to +105°C (-49° to +221°F)
Voltage drop (U _d)	< 2,4 V (@ I _{max})	Degree of protection	IP 67 (Nema 1, 3, 4, 6, 13)
Protection	Short circuit	Housing material	Nickel-plated brass
Frequency of operating cycles (f)	IA12ASF: 2 kHz IA12ASN: 1 kHz	CE-marking	Yes
Indication for output ON	LED, yellow	Connection	Cable, 2 m, PUR, AWG 22 or Plug M12, CONH1A-xxx series
Sensing distance	IA12ASF: 2 mm IA12ASN: 4 mm		

Dimensions

Wiring Diagrams



Installation Hints

