

# Proximity Sensors Inductive High Temperature, Nickel-plated Brass Housing Types IA, M12

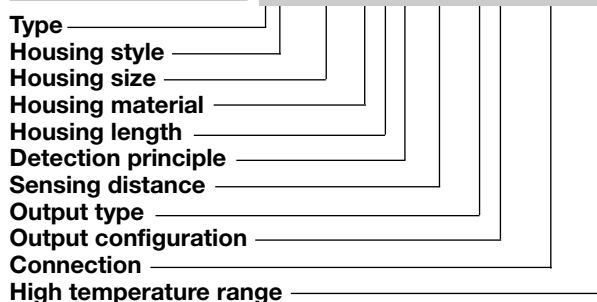


- Nickel-plated brass housing
- Sensing distance:  
Flush mounting: 2 mm or  
Non-flush mounting: 4 mm
- Power supply: 10 to 30 VDC
- Output: Transistor PNP and NPN, normally open
- High temperature range: -40° to +100°C
- Protection: Short-circuit
- LED-indication for output ON
- 2 m PUR cable or M12 plug

## Product Description

Inductive proximity sensor in M12 nickel-plated brass housing for high temperature applications. Output configuration PNP, and NPN NO (make switching). Connection with 2 m PUR cable or M12 plug.

## Ordering Key IA 12 ASF 02 PO M1 HT-K



## Type Selection

Rated operating distance (S <sub>n</sub> )	Connection type	Ordering no. Transistor PNP, Normally open	Ordering no. Transistor NPN Normally open
2.0 mm <sup>1)</sup> 2.0 mm <sup>1)</sup>	Cable Plug M12	IA 12 ASF 02 PO HT-K IA 12 ASF 02 PO M1 HT-K	
4.0 mm 4.0 mm	Cable Plug M12	IA 12 ASN 04 PO HT-K IA 12 ASN 04 PO M1 HT-K	IA 12 ASN 04 NO HT-K

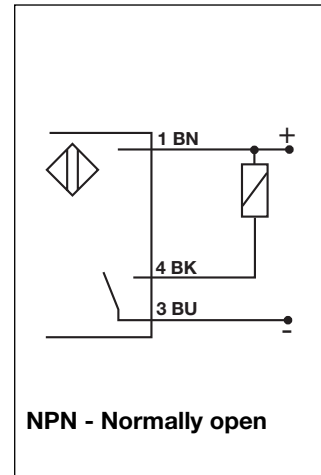
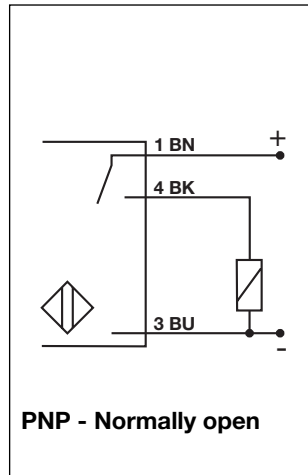
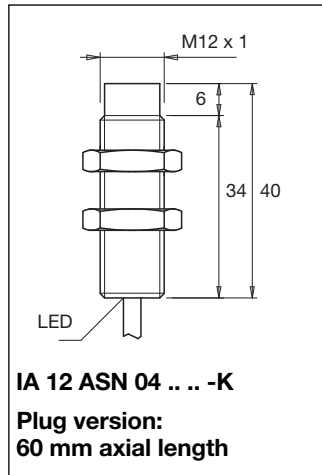
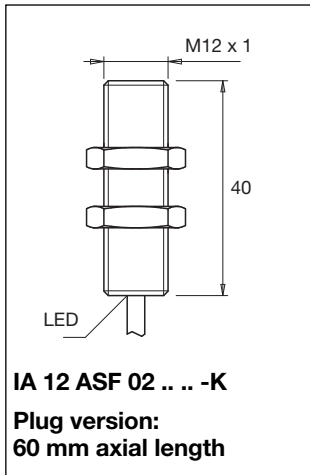
<sup>1)</sup> For flush mounting in metal

## Specifications

Rated operational volt. (U <sub>B</sub> )	10 to 30 VDC (ripple included)	Effective operating dist. (S <sub>r</sub> )	0.9 x S <sub>n</sub> ≤ S <sub>r</sub> ≤ 1.1 x S <sub>n</sub>
Ripple	≤ 10%	Usable operating dist. (S <sub>u</sub> )	0.85 x S <sub>r</sub> ≤ S <sub>u</sub> ≤ 1.15 x S <sub>r</sub>
Rated operational current (I <sub>a</sub> ) Continuous	≤ 200 mA @ + 25°C (+75°F)	Ambient temperature Operating	-40° to +100°C (-40° to +212°F)
No-load supply current (I <sub>o</sub> )	≤ 20 mA (ON)	Storage	-45° to +105°C (-49° to +221°F)
Voltage drop (U <sub>d</sub> )	< 2,4 V (@ I <sub>max</sub> )	Degree of protection	IP 67 (Nema 1, 3, 4, 6, 13)
Protection	Short circuit	Housing material	Nickel-plated brass
Frequency of operating cycles (f)	IA12ASF: 2 kHz IA12ASN: 1 kHz	CE-marking	Yes
Indication for output ON	LED, yellow	Connection	Cable, 2 m, PUR, AWG 22 or Plug M12, CONH1A-xxx series
Sensing distance	IA12ASF: 2 mm IA12ASN: 4 mm		

## Dimensions

## Wiring Diagrams



## Installation Hints

