

# Proximity Sensors Inductive High Temperature Type IA, M12, NAMUR



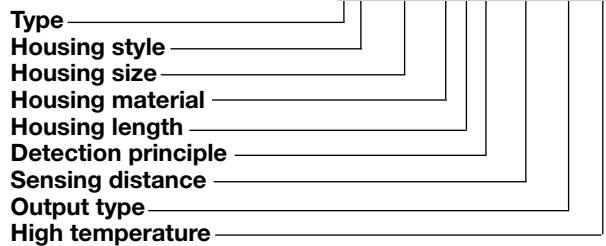
- Nickel-plated brass housing
- Sensing distance: 2 mm
- Flush type
- Short body version
- Power supply: 8 VDC
- Output: NAMUR
- 2 m silicone cable

## Product Description

Inductive proximity sensor with NAMUR output in M12 housing for flush mounting. Connection with 2 m silicone cable.

## Ordering Key

**IA 12 ASF 02 UHT-K**



## Type Selection

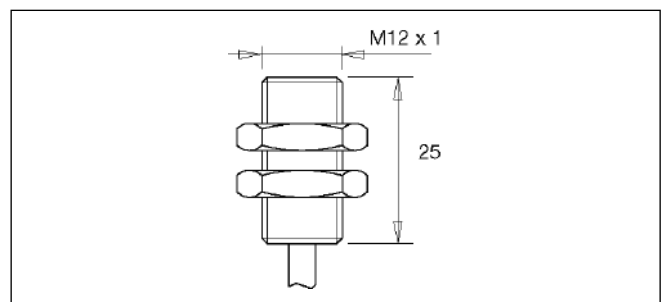
Rated operating dist. (S <sub>r</sub> )	Connection type	Housing dimensions	Ordering no. Namur output
2.0 mm	Cable, 2 m	M12	IA 12 ASF 02 UHT-K

For flush mounting in metal

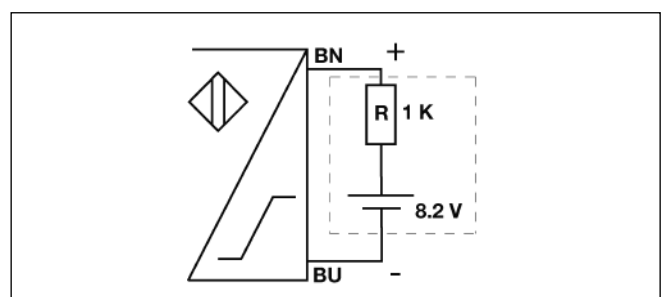
## Specifications

Rated operational volt. (U <sub>B</sub> )	8 VDC
Ripple	≤ 10%
Rated operational current (I <sub>a</sub> ) Continuous	Activated: < 1.1 mA Not activated: > 2.2 mA
Frequency of op. cycles (f)	2 kHz
Effective operating dist. (S <sub>r</sub> )	0.9 x S <sub>n</sub> ≤ S <sub>r</sub> ≤ 1.1 x S <sub>n</sub>
Usable operating dist. (S <sub>u</sub> )	0.85 x S <sub>r</sub> ≤ S <sub>u</sub> ≤ 1.15 x S <sub>r</sub>
Ambient temperature Operating Storage	-25° to +120°C (-13° to +248°F) -30° to +125°C (-22° to +257°F)
Connection	Cable, silicone, 2 m, AWG 26
Degree of protection	IP 67 (Nema 1, 3, 4, 6, 13)
Housing material	Nickel-plated brass
Dimensions	See diagram on the right
CE-marking	Yes

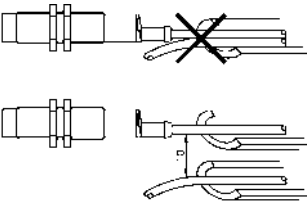
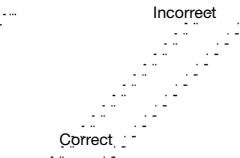
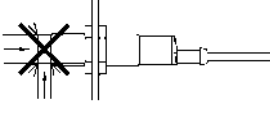
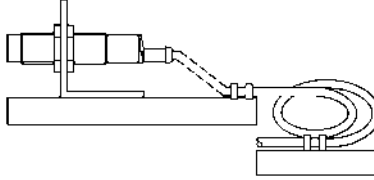
## Dimensions



## Wiring Diagram



## Installation Hints

<p><i>To avoid interference from inductive voltage/current peaks, separate the prox. switch power cables from any other power cables, e.g. motor, contactor or solenoid cables</i></p> 	<p><i>Relief of cable strain</i></p>  <p>The cable should not be pulled</p>	<p><i>Protection of the sensing face</i></p>  <p>A proximity switch should not serve as mechanical stop</p>	<p><i>Switch mounted on mobile carrier</i></p>  <p>Any repetitive flexing of the cable should be avoided</p>
--	--	--	---