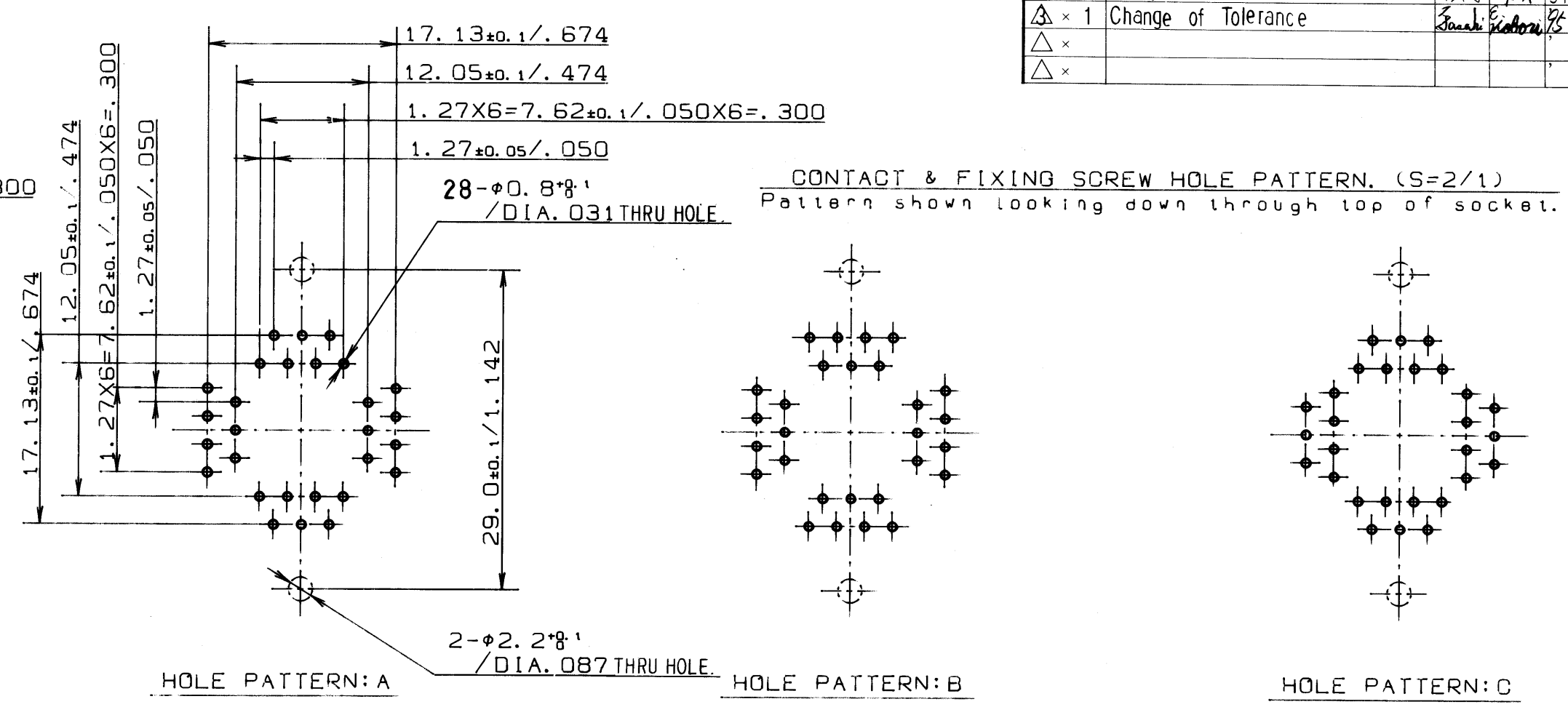
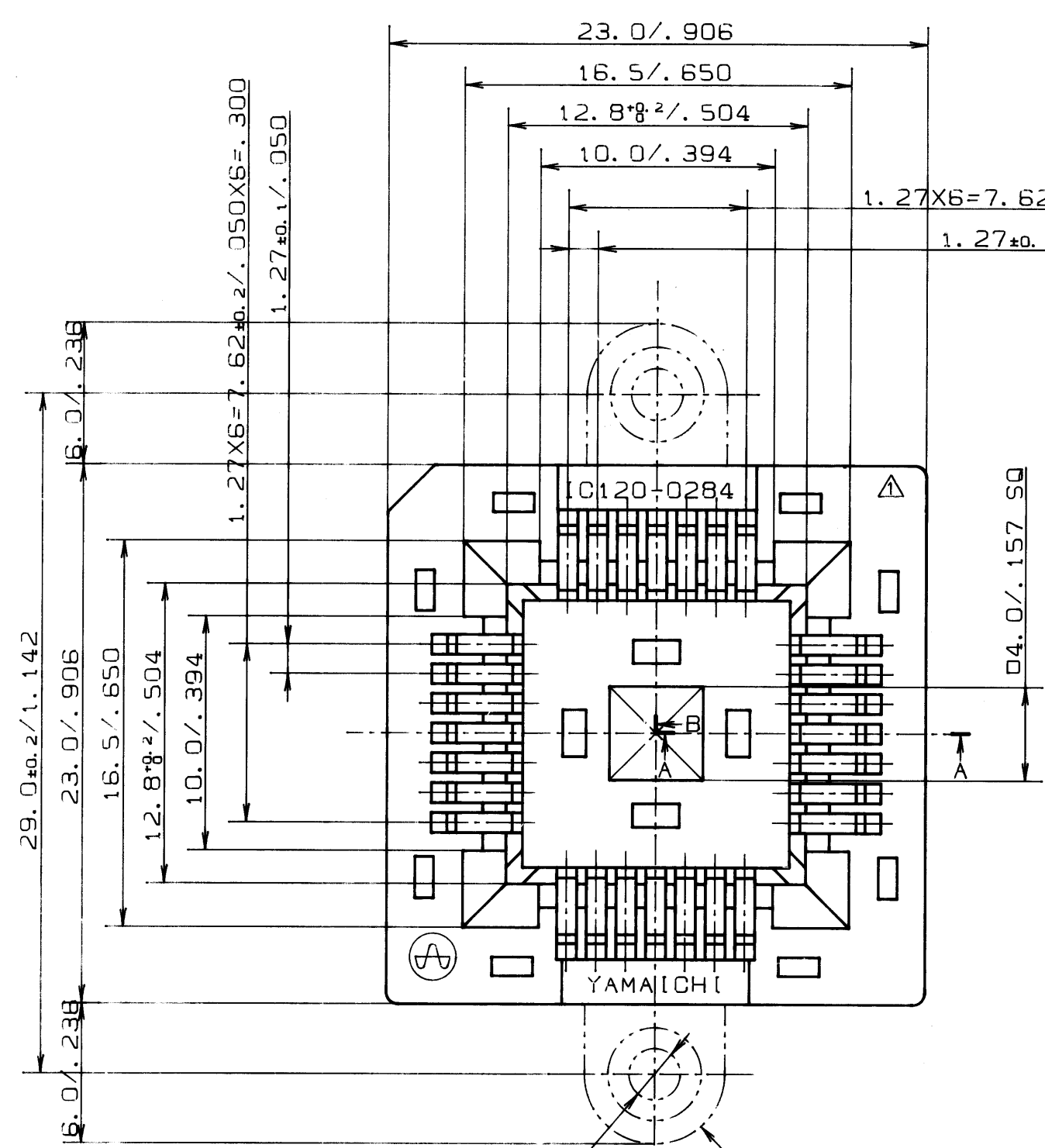


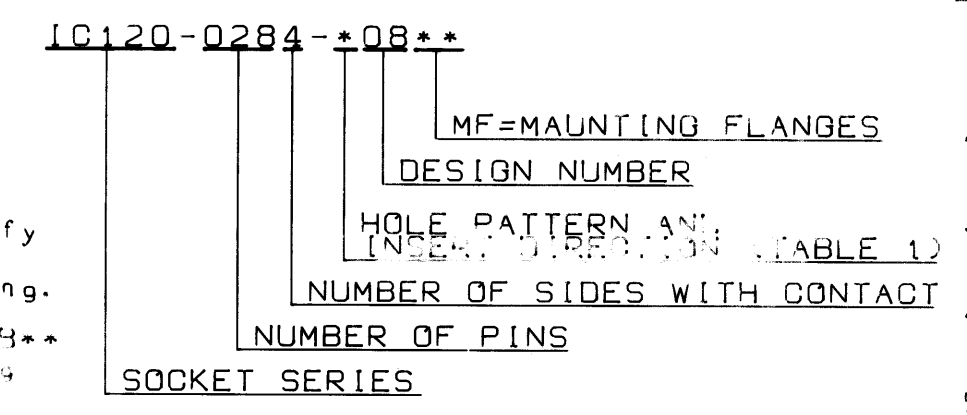
記号×数 SYM.×QNT.	変更内容 REVISION DESCRIPTION	承認 APP.	担当 SIGN.	年・月・日 DATE	変更通知書番号 REV. NOTICE NO.
△ × 2	Product numbers onto molding changed.			87-8-7	87-1014
△ × 1	Change of Material			91-6-10	91-1215
△ × 1	Change of Tolerance			88-4-19	89-0742
△ ×					
△ ×					



REMARKS

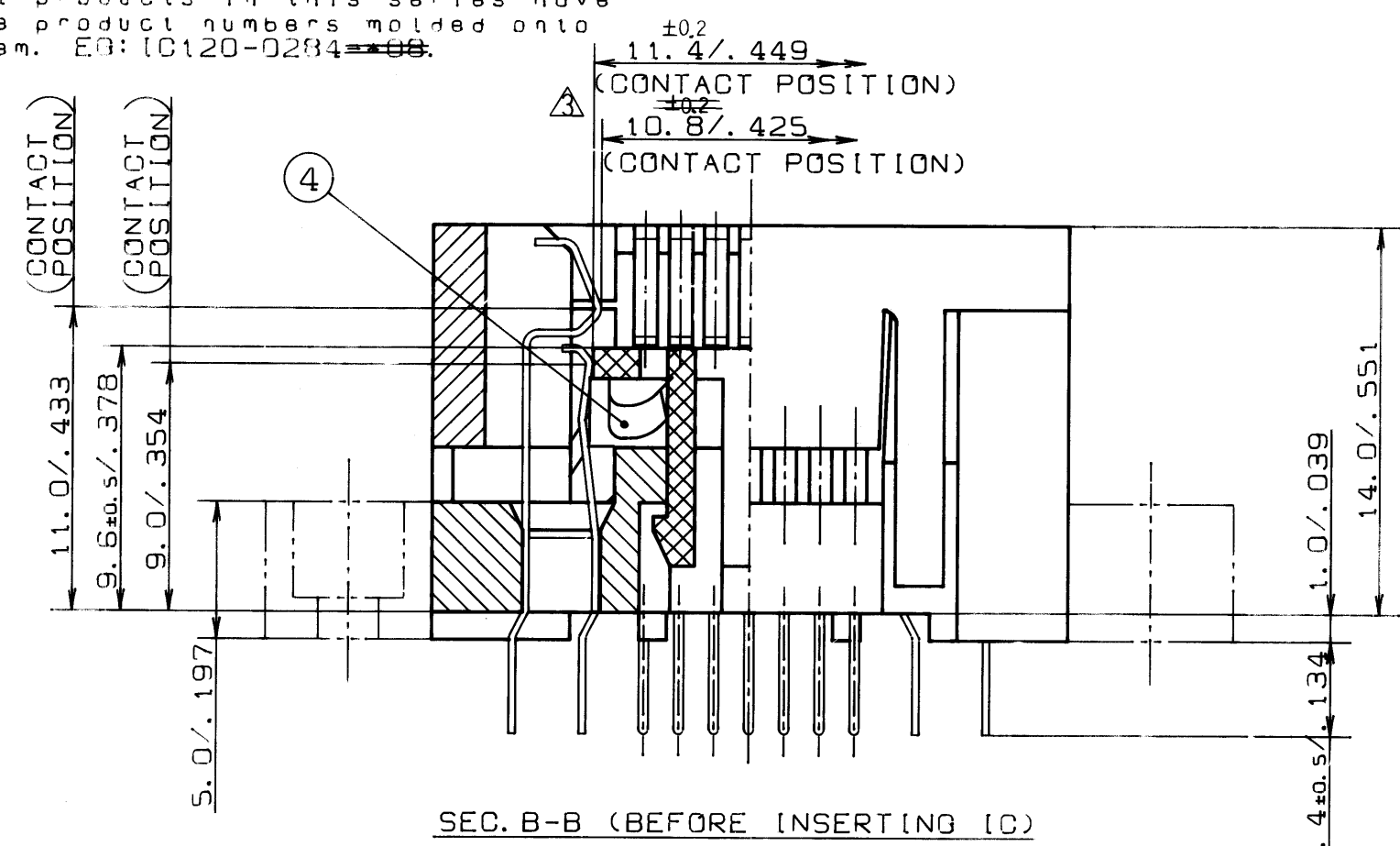
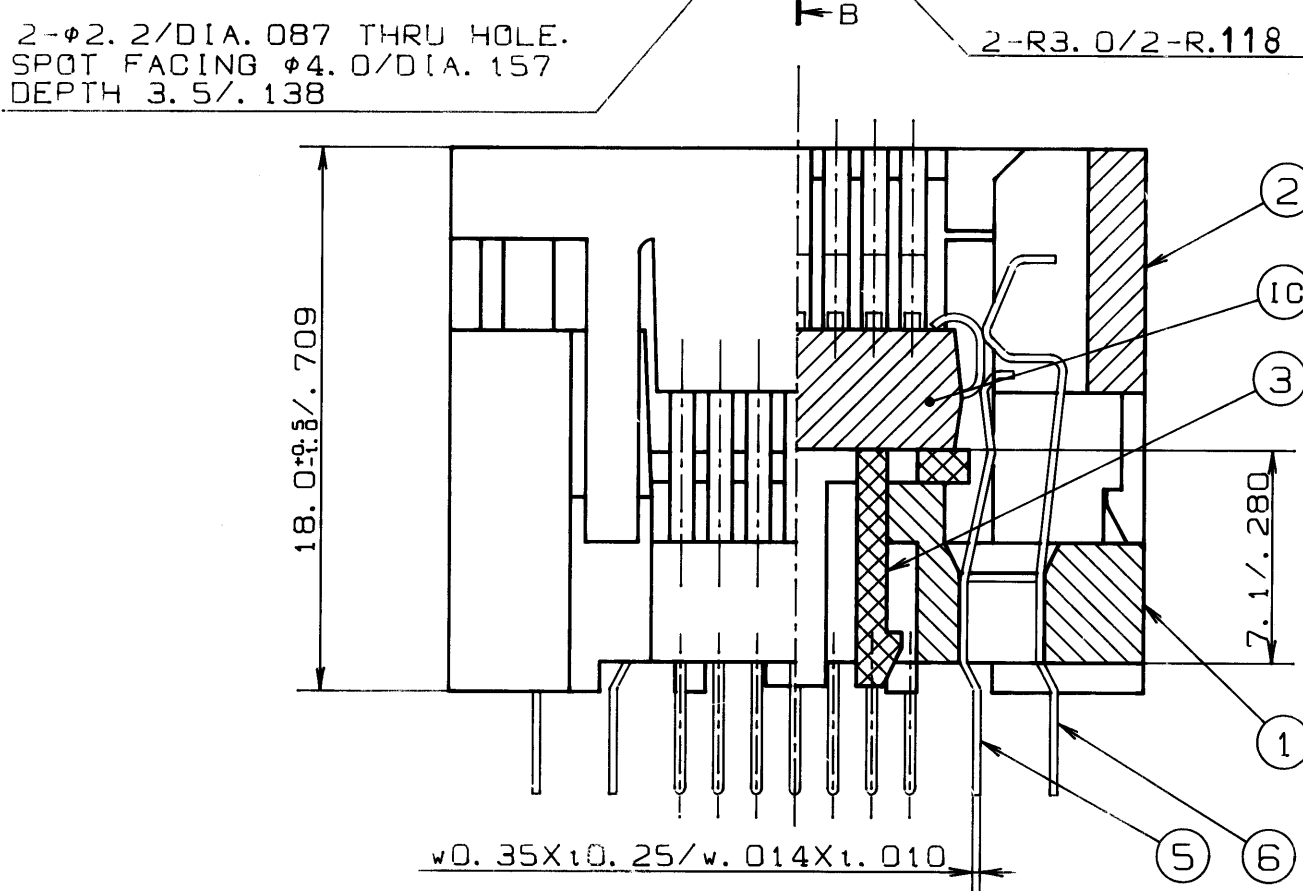
- Assignment of pins for A, B and C is the same, but the pin pattern of A, B and C are different.
- Product configuration. If a Flange is required on the socket, please specify by adding MF to the end of the part number when ordering.
- Product numbers: 1019**, 1019**, 1019**, 1019**, 1019** are all described in drawing KL-8452-474.
- All products in this series have the product numbers molded onto them. EG: IC120-0284-08.

PART NUMBER IDENTIFICATION

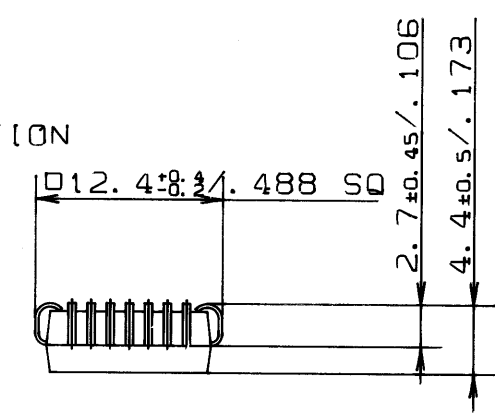


SPECIFICATION

- INSULATION RESISTANCE
1.000MΩ mini. at DC500V.
- WITHSTANDING VOLTAGE
AC700V for one minute.
- CONTACT RESISTANCE
30mΩ max. at 10mA/20mV max.
- OPERATING TEMPERATURE
-40°C ~ +170°C.
- NORMAL FORCE
20g mini.
/contact at minimum displacement 0.3mm.
90g max.
/contact at maximum displacement 0.8mm.



INSERT DIRECTION (DEAD BUG)



HANDLING INSTRUCTIONS (DEAD BUG)

Place the package in an upside down position on the plane and push downwards. Then lift Insulator B up to the lock position.
For extraction, push Insulator B downwards. The package comes up for easy removal with a vacuum or tweezers.

5	CONTACT-424	D	TABLE 1	BeCu	φ0.25	Ni-Au PL. (CLASS BF)	SL-8996
4	IC120-0204-005 LEVER	C	TABLE 1	PPS		BLACK	SM-11598
3	IC120-0284-*08 PLANE		4	PEI (GF)			SL-10085
2	IC120-0284-008 INSULATOR B		1	PPS△PEI (GF)			SL-10084
1	IC120-0284-008** INSULATOR A		1	PEI (GF)			SL-10083
ITEM	DESCRIPTION	QUANTITY	MATERIAL	CONTENTS	PART IDENT.		

PART TITLE	HOLE PATTERN	NG. OF CONTACT C/D	INSERT DIRECTION
IC120-0284-008**	A	14/14	DEAD BUG
IC120-0284-208**	B	12/16	DEAD BUG
IC120-0284-408**	C	16/12	DEAD BUG

YAMAICHI 山一電機工業株式会社
YAMAICHI ELECTRIC MFG. CO., LTD.

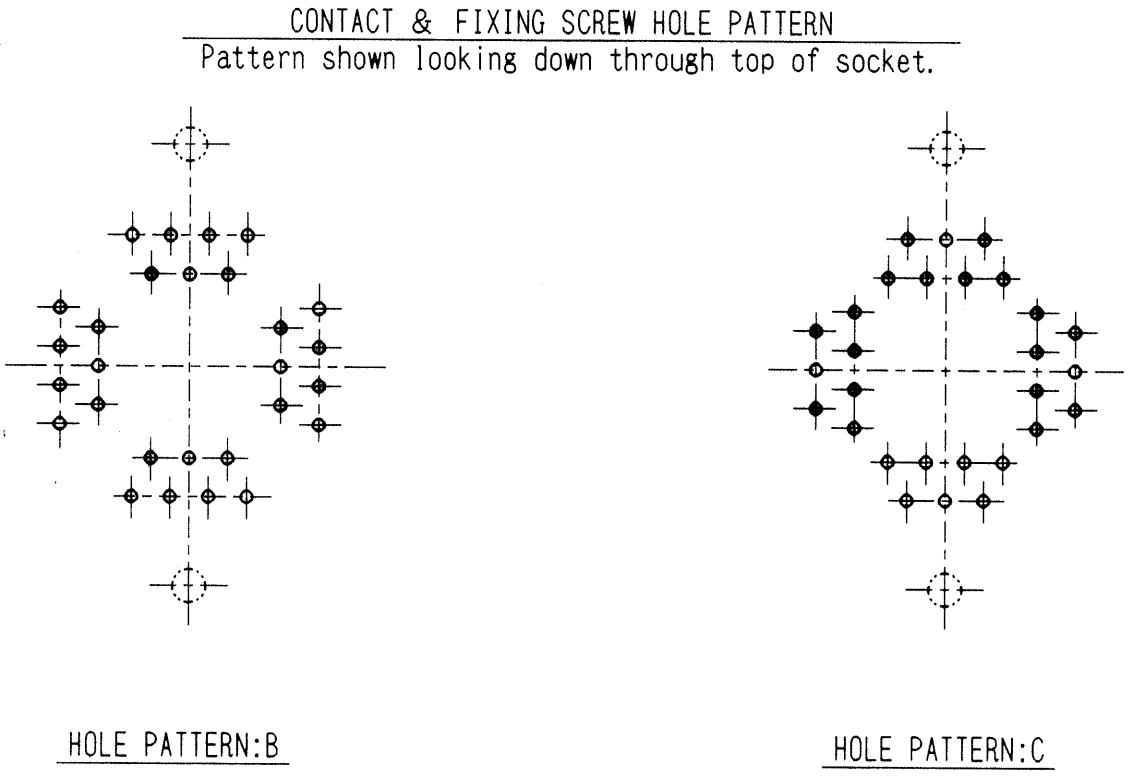
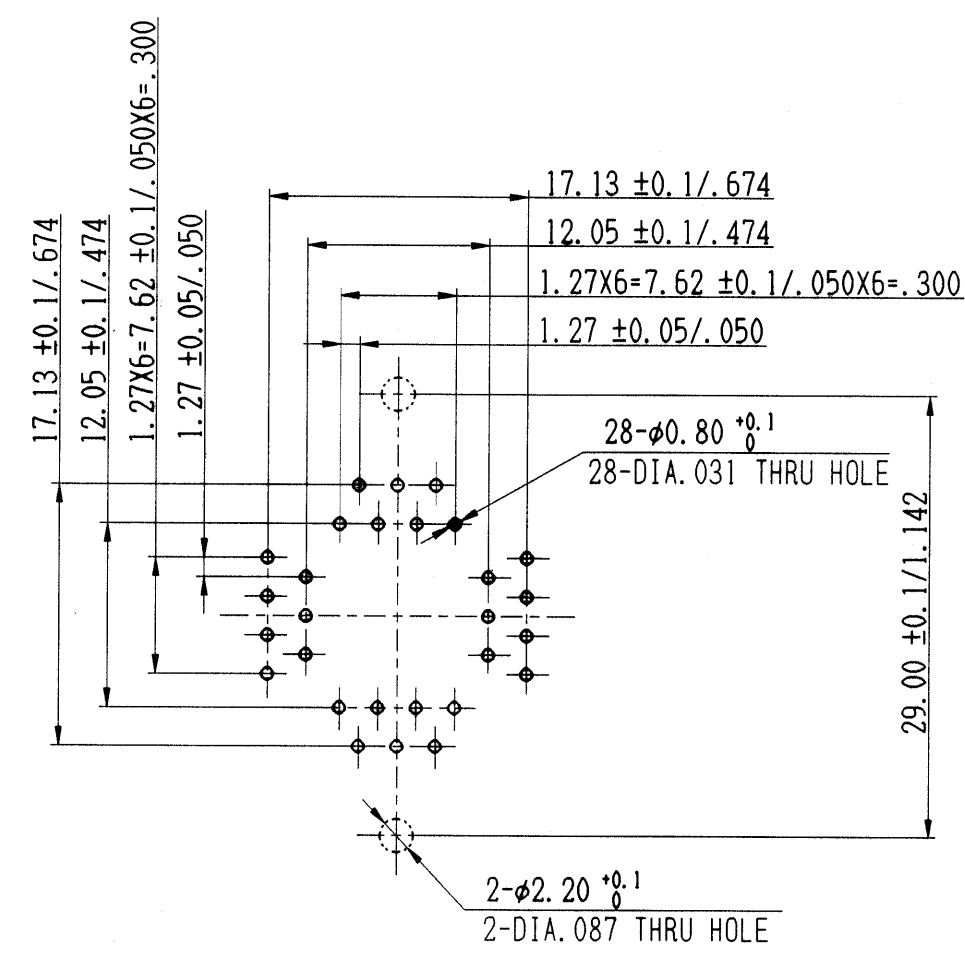
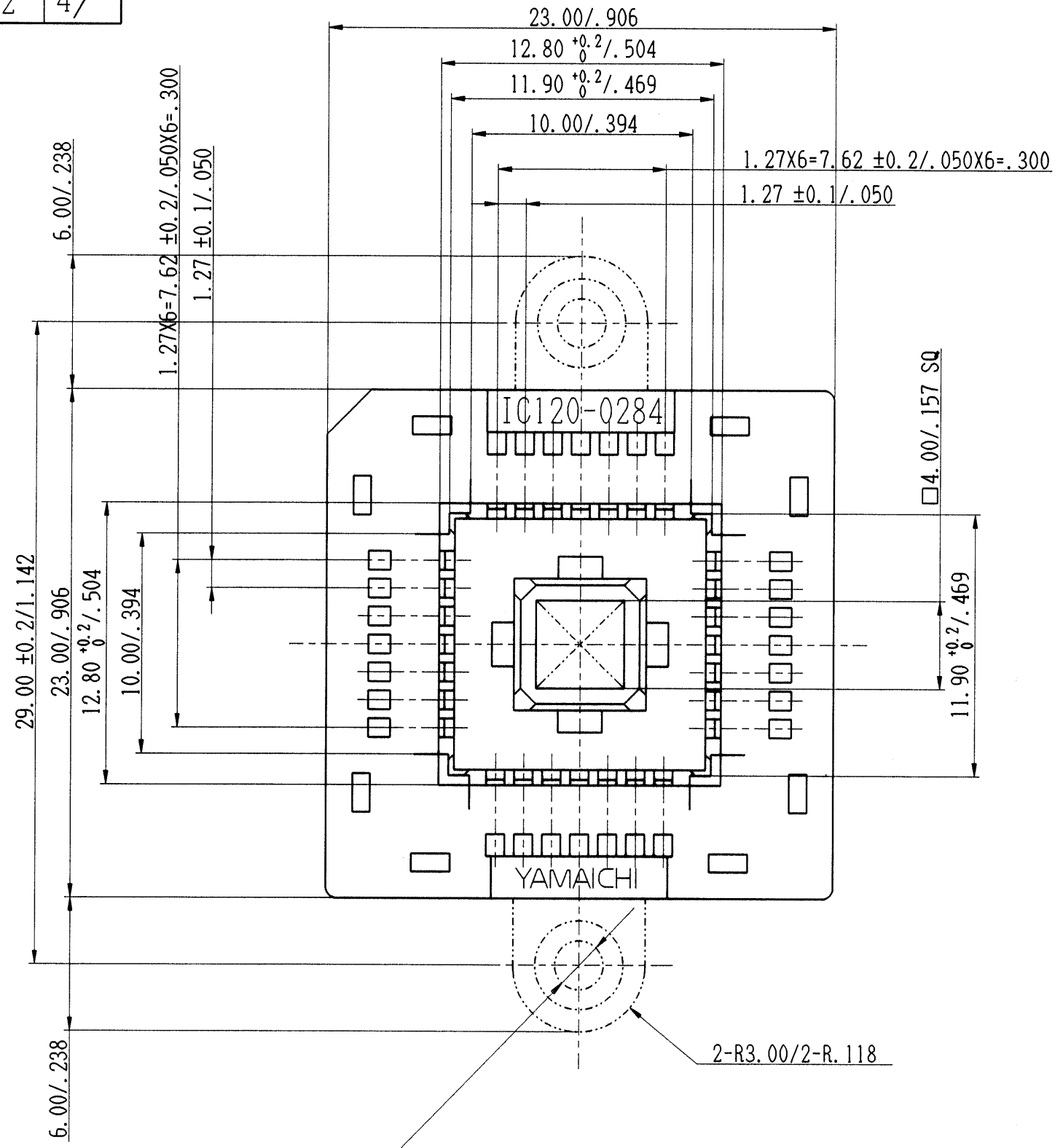
TOLERANCES. ±0.3/±0.12
Unless otherwise specified dimensions.

尺度	4/1	承認 APP.	承認 APP.	検閲 CHK.	製図 DRW.	設計 DSGN.
單位	m/m	87-6-10	87-6-10	87-6-9	87-6-5	87-5-11
DIMENSION	INCH	図番 (DRW. NO.)				
三角図法		REV				
3RD ANGLE PROJECTION		KL-8452				

分類 (CLASS)
名称 (TITLE)
IC120-0284-*08**

KL-8452 Sheet No. 4/

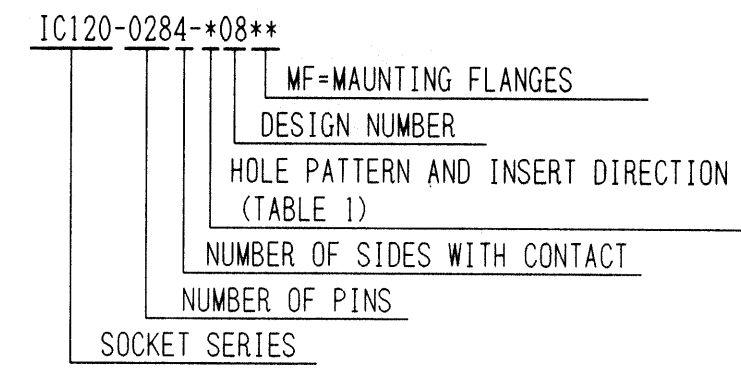
記号×数 SYM. X QNT.	変更内容 REVISION DESCRIPTION	承認 APP.	担当 SIGN.	年月日 DATE	変更通知番号 REV. NOTICE NO.
△ x	Redrawn	sasaki	uratsuji	87.8.18	87-1014
△ x 14	Design changed	sasaki	uratsuji	88.3.2	88-0156
△ x 1	Redrawn	Yoshida	Uratsuji	94.9.19	技94-1407
△ x 1	Change of Tolerance	Yoshida	Uratsuji	95.4.19	技95-0742



REMARKS

- Assignment of pins for A, B and C is the same, but the pin pattern of A, B and C are different.
- Product configuration. if a flange is required on the socket, please specify by adding MF to the end of the part number when ordering.
- IC120-0284-008**, -208**, -408** are all described on drawing KL-8452 3/4.
- All products in this series have the product numbers molded onto them. EG: IC120-0284

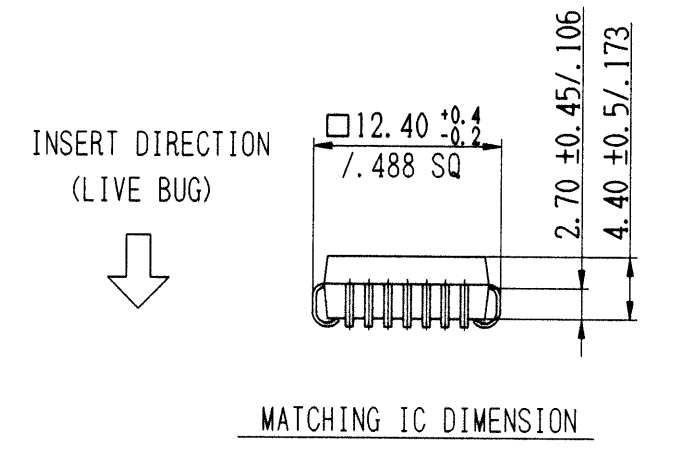
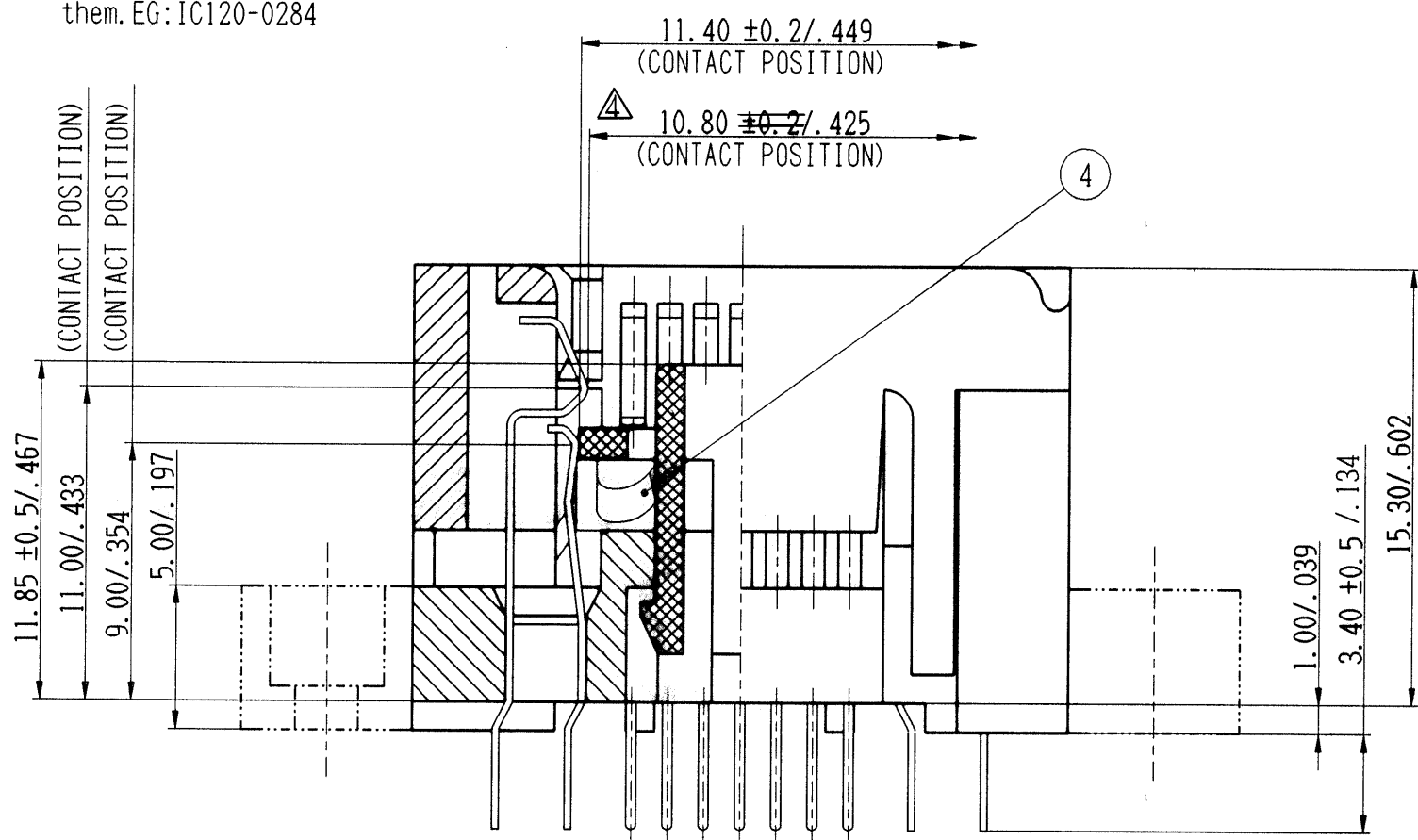
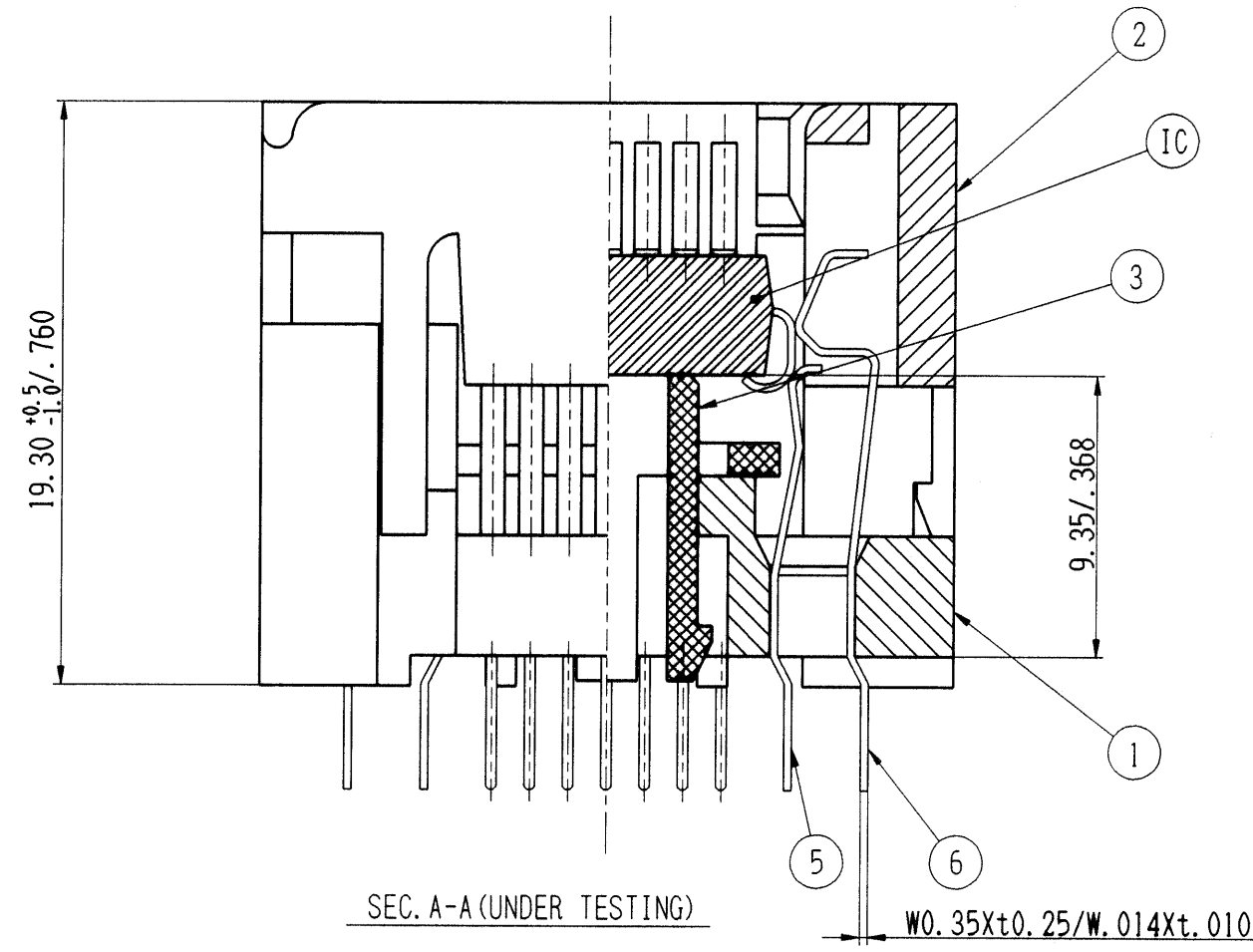
PART NUMBER IDENTIFICATION



SPECIFICATION

- INSULATION RESISTANCE: 1000MΩ min. at DC500V.
- WITHSTANDING VOLTAGE: AC700V for one minute.
- CONTACT RESISTANCE: 30mΩ max. at 10mA/20mV max.
- OPERATION TEMPERATURE: -40°C ~ +170°C
- NOMAL FORCE: 20g mini. /contact at minimum displacement 0.3mm. 90g max. /contact at maximum displacement 0.8mm.

2-φ2.20/DIA.087 THRU HOLE.
SPOT FACING φ4.0/DIA.157
DEPTH 3.5/138



HANDLING INSTRUCTIONS (LIVE BUG)

Place the package right side up onto the plane and push downwards. Then lift insulator B up to the lock position.
For extraction, push insulator B downwards. The package comes up for easy removal with a vacuum or tweezers.

ITEM	DESCRIPTION	QNT.	MATERIAL	CONTENT	PART IDENT.
6	Contact 424	D	TABLE 1	BeCu t0.25	Ni-Au Pt (Class B) SL-8996
4	IC120-0204-005 LEVER	C	TABLE 1	PPS	SM-11598
3	IC120-0284-*08 PLANE-2		1	PEI (GF)	SL-10086
2	IC120-0284-108 INSULATOR B		1	△ PEI (GF)	SL-10202
1	IC120-0284-008** INSULATOR A		1	PEI (GF)	SL-10083

TABLE 1

PART TITLE	HOLE PATTERN	NO. OF CONTACT C/D	INSERT DIRECTION
IC120-0284-108**	A	14/14	LIVE BUG
IC120-0284-308**	B	12/16	LIVE BUG
IC120-0284-508**	C	16/12	LIVE BUG

TOLERANCES. ±0.3/±0.012
Unless otherwise specified dimensions.

山一電機株式会社
YAMAICHI ELECTRONICS Co., Ltd.

分類 (CLASS) QFJ (PLCC) -28pin

尺度 SCALE	承認 APP.	承認 APP.	検図 CHK.	製図 DRW.	設計 DSGN.
4/1					

名称 (TITLE) IC120-0284-*08**
図番 (DRW. NO.) KL-8452
Sheet No. 4/ REV. E