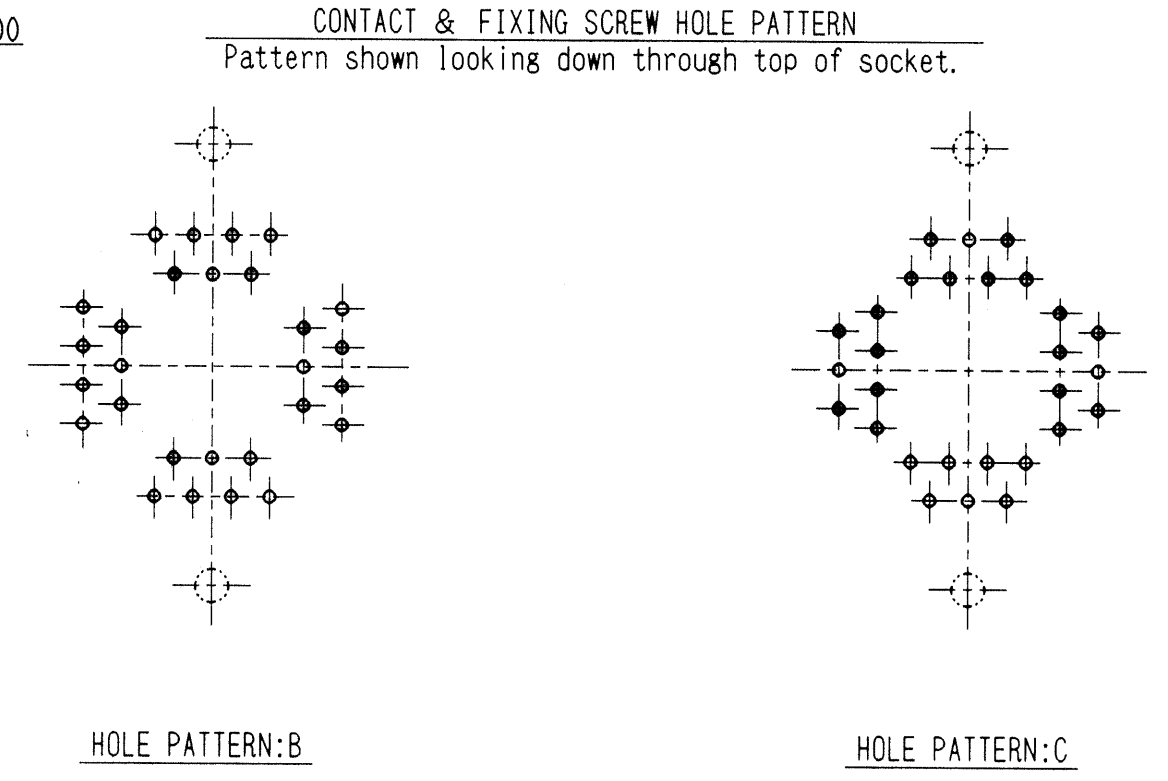
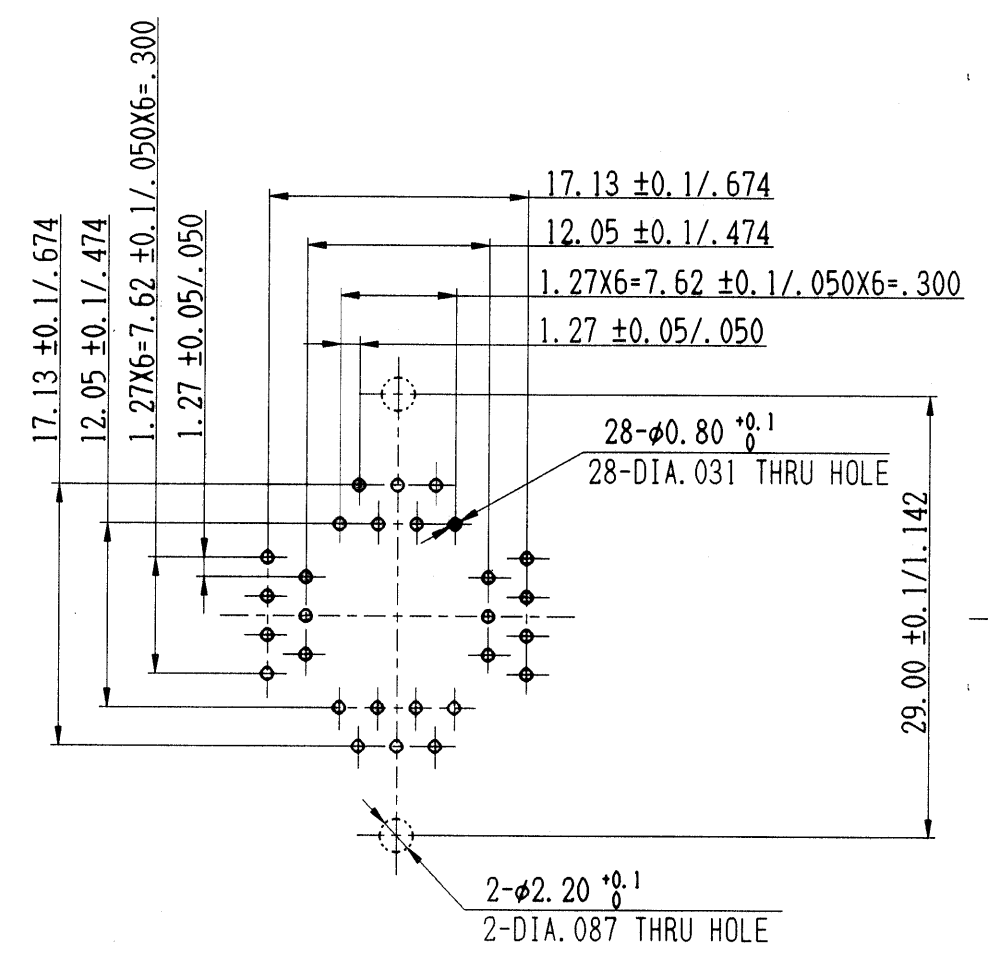
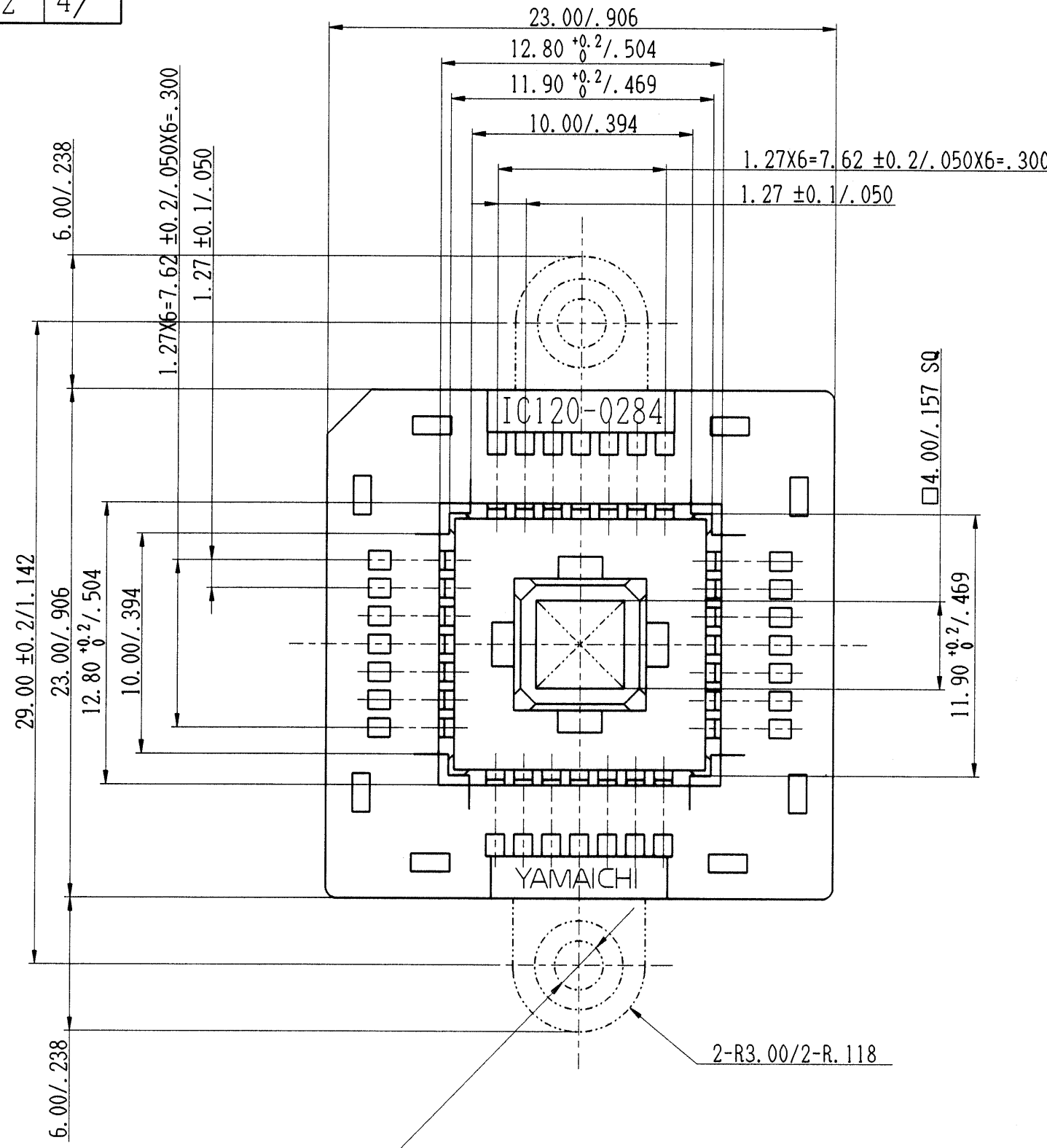




KL-8452 Sheet No. 4/

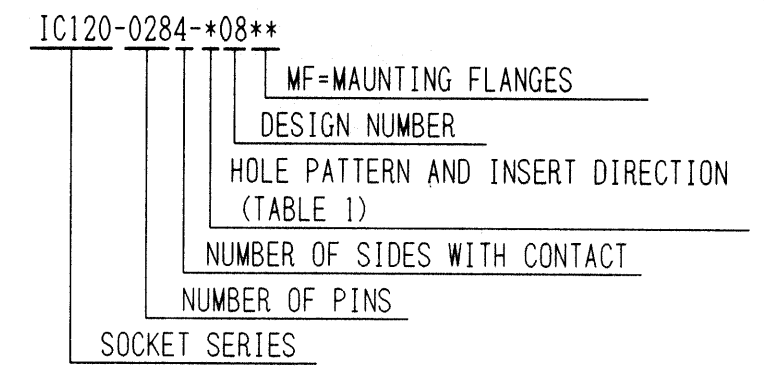
記号×数 SYM. X QNT.	変更内容 REVISION DESCRIPTION	承認 APP.	担当 SIGN.	年月日 DATE	変更通知番号 REV. NOTICE NO.
△ x	Redrawn	sasaki	uratsujii	87.8.18	87-1014
△ x 14	Design changed	sasaki	uratsujii	88.3.2	88-0156
△ x 1	Redrawn	Yoshida	Yoshida	94.9.19	技94-1407
△ x 1	Change of Tolerance	Yoshida	Yoshida	95.4.19	技95-0742



REMARKS

- Assignment of pins for A, B and C is the same, but the pin pattern of A, B and C are different.
- Product configuration. if a flange is required on the socket, please specify by adding MF to the end of the part number when ordering.
- IC120-0284-008\*\*, -208\*\*, -408\*\* are all described on drawing KL-8452 3/4.
- All products in this series have the product numbers molded onto them. EG: IC120-0284

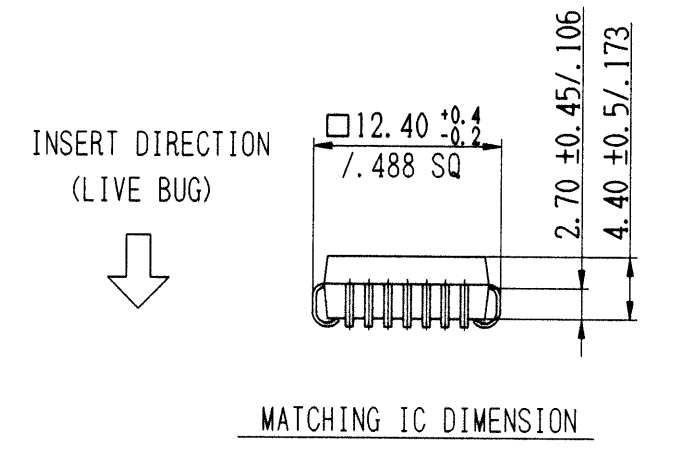
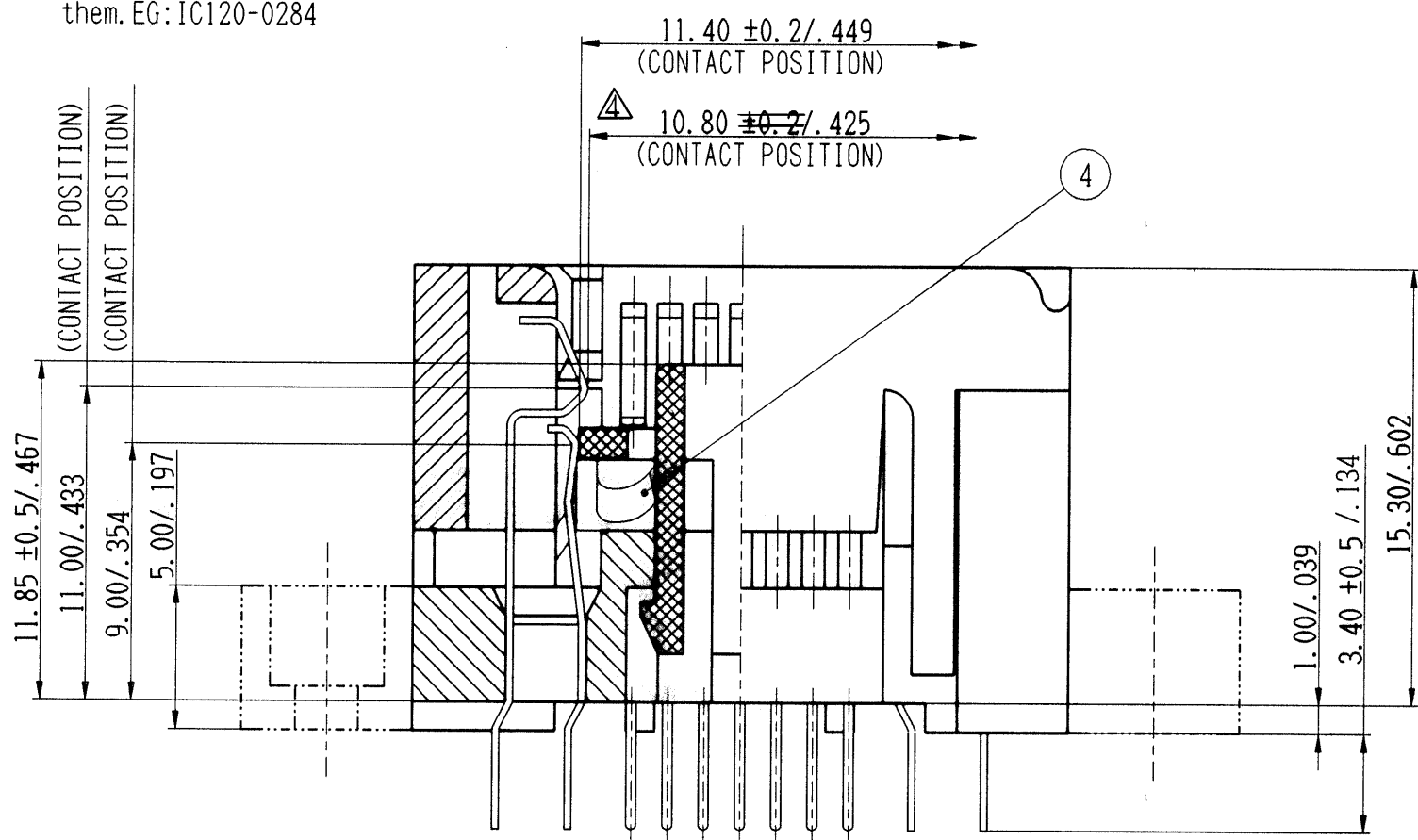
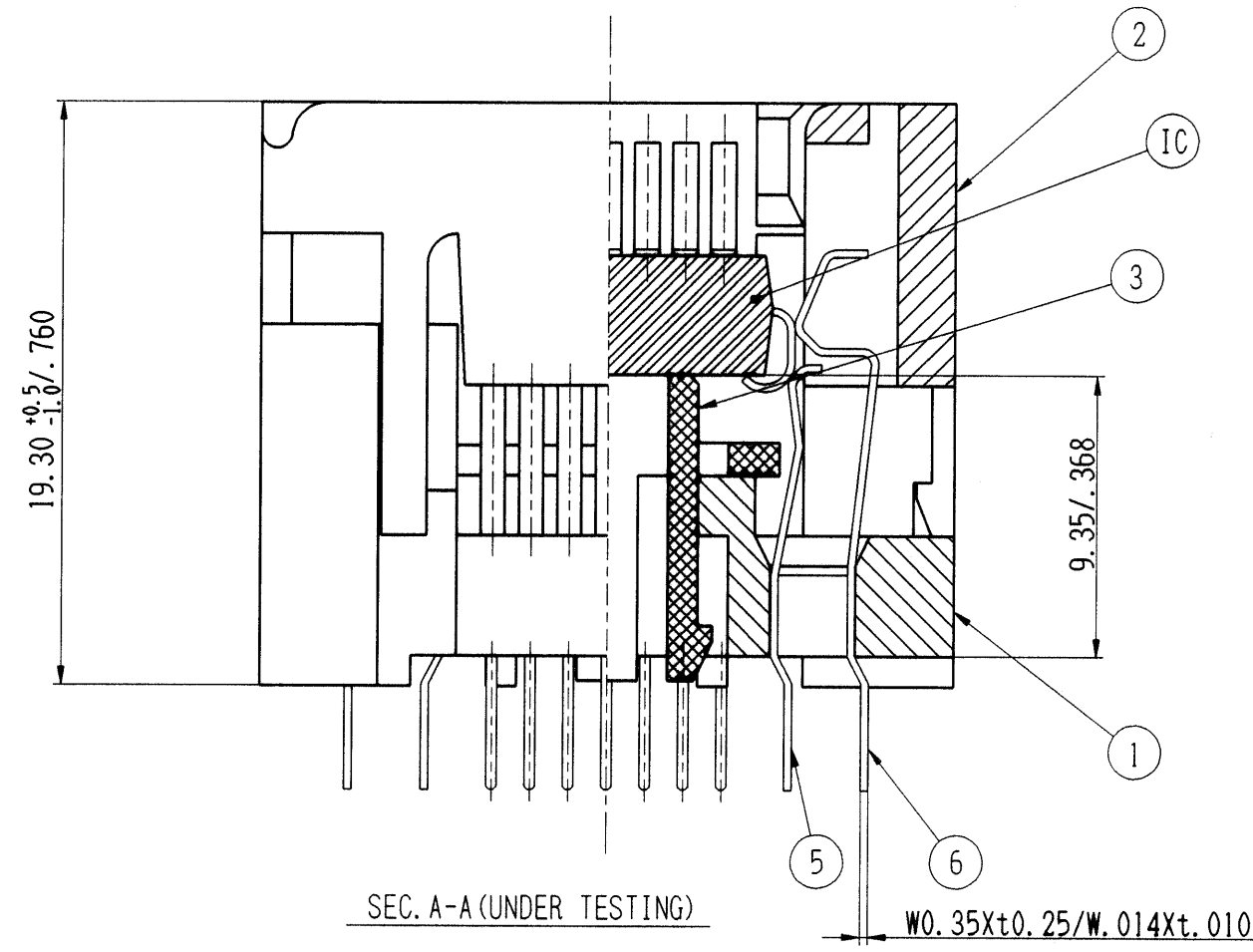
PART NUMBER IDENTIFICATION



SPECIFICATION

- INSULATION RESISTANCE: 1000MΩ min. at DC500V.
- WITHSTANDING VOLTAGE: AC700V for one minute.
- CONTACT RESISTANCE: 30mΩ max. at 10mA/20mV max.
- OPERATION TEMPERATURE: -40°C ~ +170°C
- NOMAL FORCE: 20g mini. /contact at minimum displacement 0.3mm. 90g max. /contact at maximum displacement 0.8mm.

2-φ2.20/DIA.087 THRU HOLE.  
SPOT FACING φ4.0/DIA.157  
DEPTH 3.5/138



HANDLING INSTRUCTIONS (LIVE BUG)

Place the package right side up onto the plane and push downwards. Then lift insulator B up to the lock position.  
For extraction, push insulator B downwards. The package comes up for easy removal with a vacuum or tweezers.

ITEM	DESCRIPTION	QNT.	MATERIAL	CONTENT	PART IDENT.
6	Contact 424	D	TABLE 1	BeCu t0.25	Ni-Au Pt (Class B) SL-8996
4	IC120-0204-005 LEVER	4	PPS		SM-11598
3	IC120-0284-*08 PLANE-2	1	PEI (GF)	Black	SL-10086
2	IC120-0284-108 INSULATOR B	1	△ PEI (GF)		SL-10202
1	IC120-0284-008** INSULATOR A	1	PEI (GF)		SL-10083

TABLE 1

PART TITLE	HOLE PATTERN	NO. OF CONTACT C/D	INSERT DIRECTION
IC120-0284-108**	A	14/14	LIVE BUG
IC120-0284-308**	B	12/16	LIVE BUG
IC120-0284-508**	C	16/12	LIVE BUG

TOLERANCES. ±0.3/±0.012  
Unless otherwise specified dimensions.

山一電機株式会社  
YAMAICHI ELECTRONICS Co., Ltd.

分類 (CLASS) QFJ (PLCC) -28pin

尺度 SCALE	承認 APP.	承認 APP.	検図 CHK.	製図 DRW.	設計 DSGN.
4/1					

名称 (TITLE) IC120-0284-\*08\*\*  
図番 (DRW. NO.) KL-8452  
Sheet No. 4/ REV. E